



Installation Instruction

# Sliding chiller door type SKJ 80

manual version

# Manufacturing standard

Name	SKJ 80 – sliding chiller door designed for use in above zero temperature
Manufacturer	Ampol Serwis
Manufacturing standard /technical parameters, size, color etc./	<p>Frame:</p> <ul style="list-style-type: none"><li>○ anodized aluminum profiles in natural color (possibility of painting)</li><li>○ silicone gasket</li><li>○ Thermod Flex Frame adjustment system</li><li>○ frame available for 1 side installation and for 2 side installation</li><li>○ maximum width of the wall for a two-sided frame type 1 = 150mm,</li><li>○ for wall wider than 150mm use two-sided frame type 2</li></ul> <p>Leaf:</p> <ul style="list-style-type: none"><li>○ anodized aluminum profiles in natural color (possibility of painting)</li><li>○ door leaf surface made of glass fiber reinforced polyester laminate (option: stainless steel panel)</li><li>○ filled with polyurethane foam</li><li>○ gaskets around and under the door leaf</li><li>○ two sets of top rollers</li><li>○ upper rail and floor guide made of anodized aluminum</li><li>○ external and internal handles FERMOD type</li><li>○ leaf thickness 80mm</li></ul>

# Instructions for maintenance and cleaning

- Cleaning and disinfection of polyester laminate
- surface can be polished with cloths or paper along with the cleaners
  - resistant to detergents available on the market with their concentration up to 5%
  - some organic substances such as butyl acetate, ethyl acetate, methanol, phenol, styrene may damage the surface
  - caution should be exercised when using greater concentrations of irritant or flammable substances as acetone, which can tarnish the surface
  - domestic food products such as fresh fruit juices, coffee, milk, margarine, citric acid or wine do not affect the composite
  - can be cleaned using high pressure washers
  - does not absorb water

Polyester laminate chemical resistance table	
<p>Acids:  hydrochloric acid (10%ig) +  phosphoric acid (50%ig) +  phosphoric acid (85%ig) +  sulphuric acid (up to 37,5%ig) +  nitric acid (10%ig) +  boric acid (10%ig) +</p> <p>Lyes:  stable to a certain extent</p> <p>Inorganic aqueous media:  water (distilled), drinking water, ocean water +  salt solutions (all concentrations) non-oxidising,  stable +</p> <p>Luxury food, found in the common household,  luxury chemicals  apple juice +  beer +  fresh juices +  coffee +  milk +  margarine +  mineral water +  wine +  citric acid +  sugar, all concentrations +  Persil (5%ig) +  Rei (5%ig) +  detergent, commercially available (5%ig) +  caster oil +  blood +  tincture of iodine –</p>	<p>Organic media  acetone -  ethanol (96%ig) -  ether -  formic acid (10%ig) +  benzine +  benzole -  butyric acid +  butyl acetate -  chlorobenzene -  cyclohexanon -  diethanolamine +  earth +  acetic acid (10%ig) +  ethyl acetate -  fatty acid, higher (C12) +  glycol +  glycerine +  heating oil +  isopropanol -  machine oil +  NMA -  methanol -  methylene dichloride -  MEK -  lactic acid (10%ig) +  mineral oils +  paraffinic oils +  phenol -  non-plasticized resins -  salicylic acid +  silicone oil +  styrene -  turpentine oil +  tetrachlorocarbon +  tetrahydrofuran -  toluene -  xylene +</p>
<p>Explanation of the table: + stable, - unstable</p>	

Cleaning and disinfection of aluminum profiles

- surface polishing can be performed with various cloths and brushes, taking care not to damage the anodized layer
- anode layer is resistant to the pH range 4-9, that is for weak acids and alkalis
- cleaning and disinfecting products available on the market should not harm the aluminum outer shell, although concentrated cleaners, after a few minutes of exposure can irreversibly destroy it
- caution should be exercised when using professional cleaners - they are usually much higher concentrated, and thus can quickly destroy the coating
- coating resists sodium hydroxide and acetic acid, for a period of 144 hours of continuous exposure
- diluted phosphoric acid is suitable for cleaning aluminum
- can be cleaned using high pressure washers

# Package content

## Main package content

Article	Description
Wall cover	Wall cover mounted on the wall
Door leaf	Door leaf equipped with handles, top rollers and bottom/wall guide
Top rail	Top rail equipped with end stop buffers, screws and plugs
Accessories box	Box with all accessories necessary for installation

## Accessories box

Article	Amount		
	2-side frame type 1	2-side frame type 2	1-side frame
Sheet metal screw 4,2x13	22	11	11
Sheet metal screw 5,4x50	33	66	33
Screw M6x26	3	3	3
Plug 12mm	11	-	-
Wall rail support bracket	5/7*	5/7*	5/7*
Isobolt M10 with washer, nut M10 with washer	10/14*	10/14*	10/14*
M10 threaded bolt, L=1m	2**	2**	2**
PVC gasket	-	-	√***
Bottom guides with wedge anchors / wall guide with hook and screws	2/1	2/1	2/1
Laminate	-	√***	-
Angle bar and angle bar holder	1	1	1

\* Depends on the Structural Opening width

\*\* Number of threaded bolts may differ depending on Structural Opening width and the wall thickness

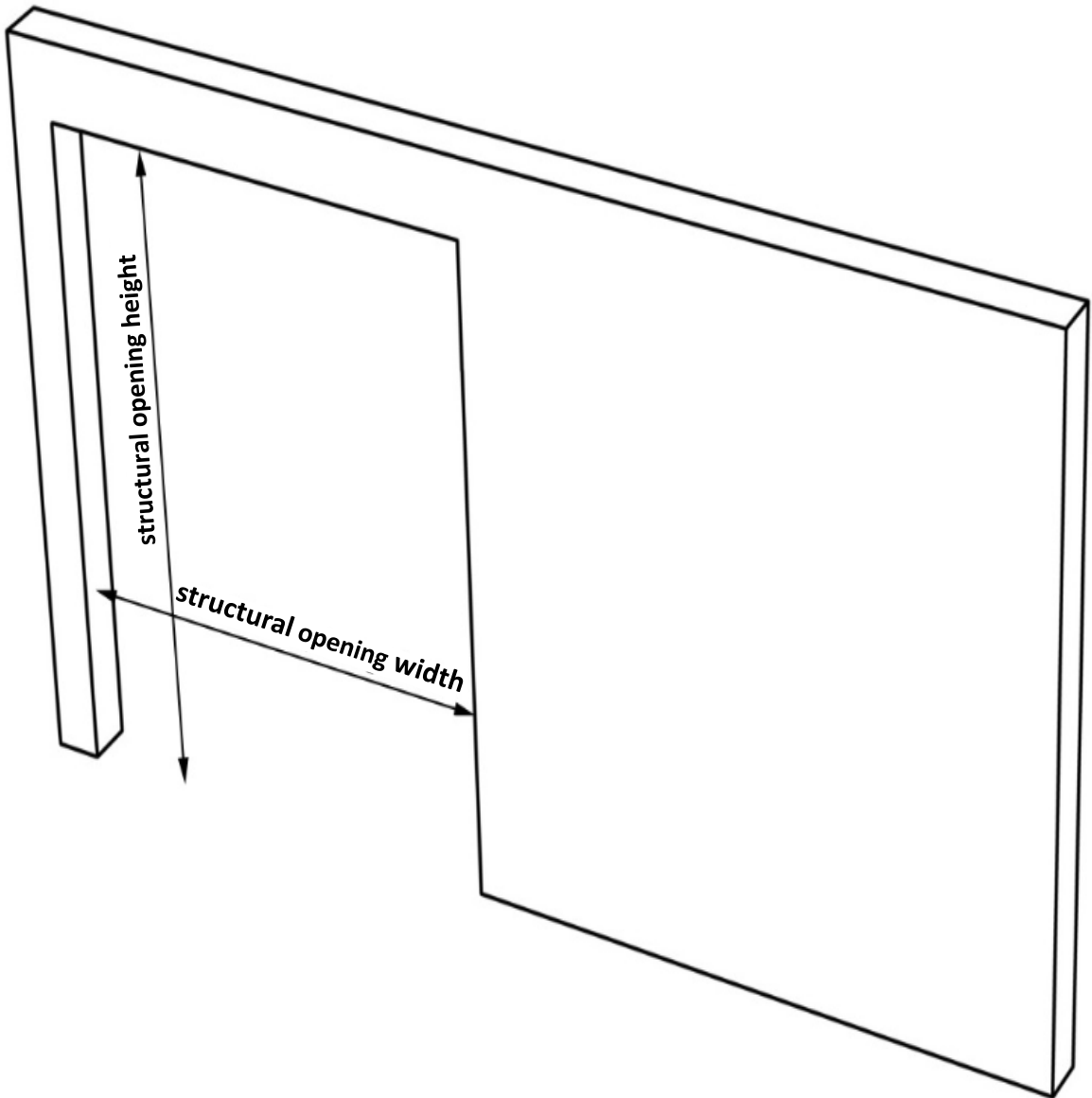
\*\*\* Size differs depending on the Structural Opening and the wall thickness

# Installation description

- Step 00** Check the structural opening
- Step 01** Dismantle the reinforcement boards / Join the frame parts together
- Step 02** Screw the frame and the handle angle bar holder to the wall
- Step 03** Mount the click in profile and the handle angle bar
- Step 04** Mount the rail support brackets to the wall
- Step 05** Mount the top rail
- Step 06** Mount the bottom/wall guides
- Step 07** Mount the door leaf
- Step 08** Additional frame parts installation
- Step 09** Adjust the door leaf
- Step 10** Frame adjustment with Flex Frame system
- Step 11** Seal the space between the frame and the floor with silicone

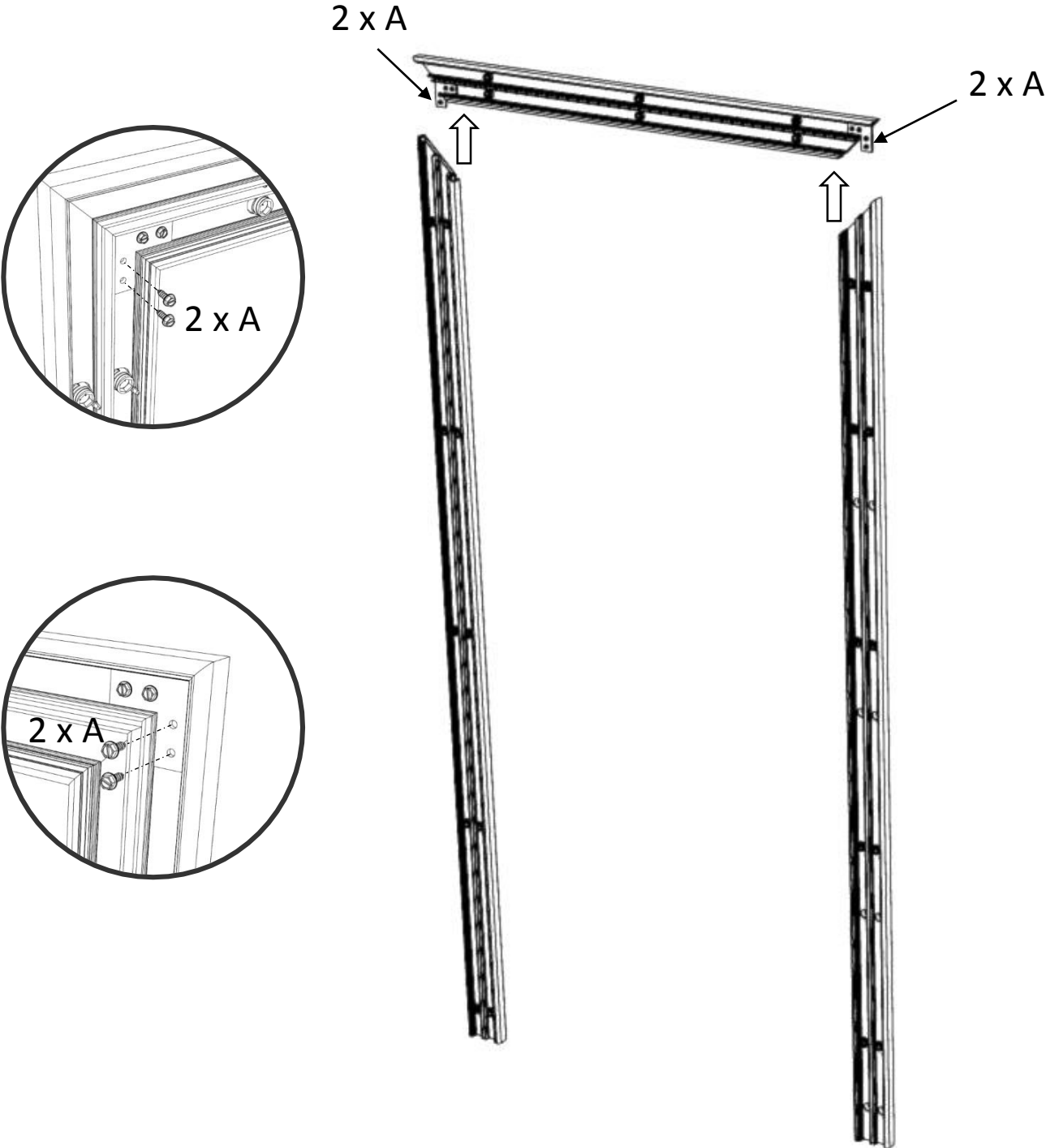
## Step 00

Check the structural opening



# Step 01– frame delivered in parts

Join the frame parts together



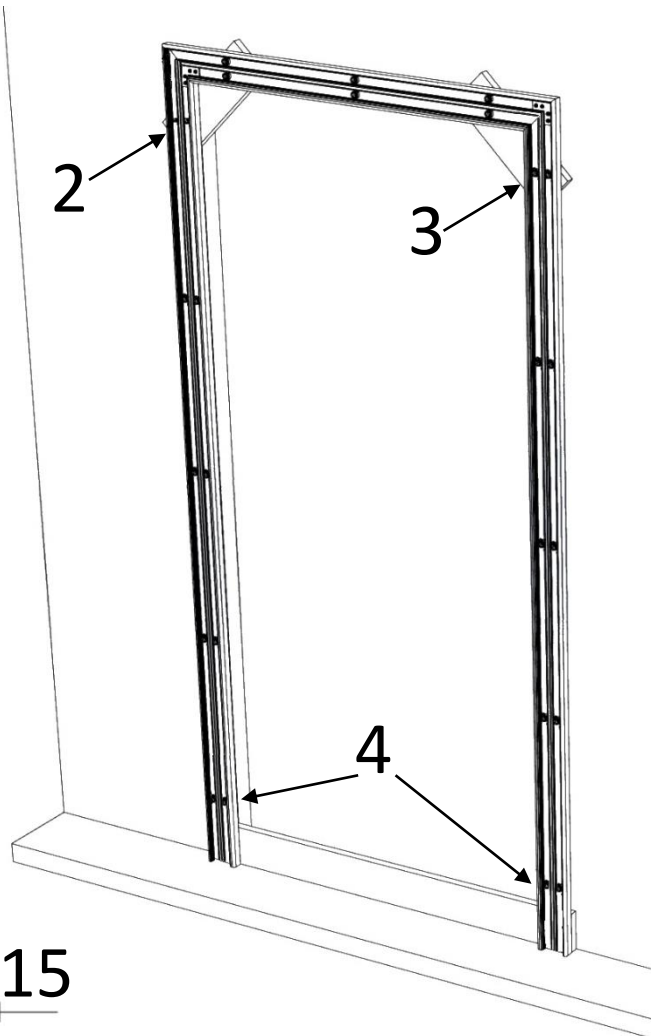
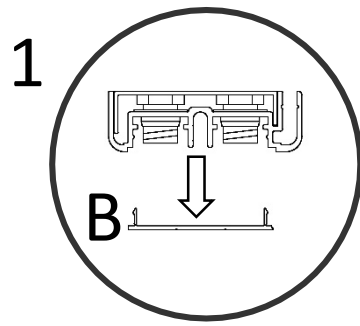
A	Sheet metal screw 4,2x13
---	--------------------------



# Step 01 – frame delivered in one piece

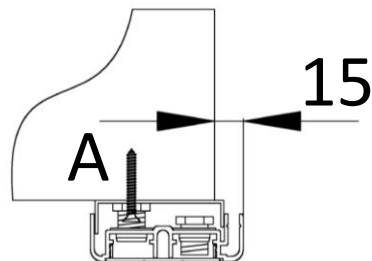
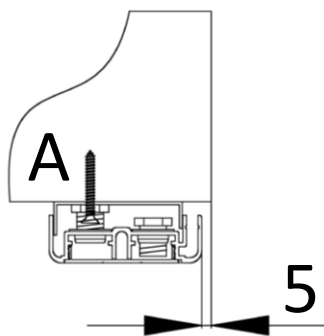
Dismantle the reinforcement boards:

1. Take out the click in profile.
2. Unscrew the wooden board in **upper left** corner and screw the frame to the wall.
3. Unscrew the wooden board in **upper right** corner and screw the frame to the wall.
4. Unscrew the **bottom** wooden board in and screw the frame to the wall.



*1-side frame*

*2-side frame*

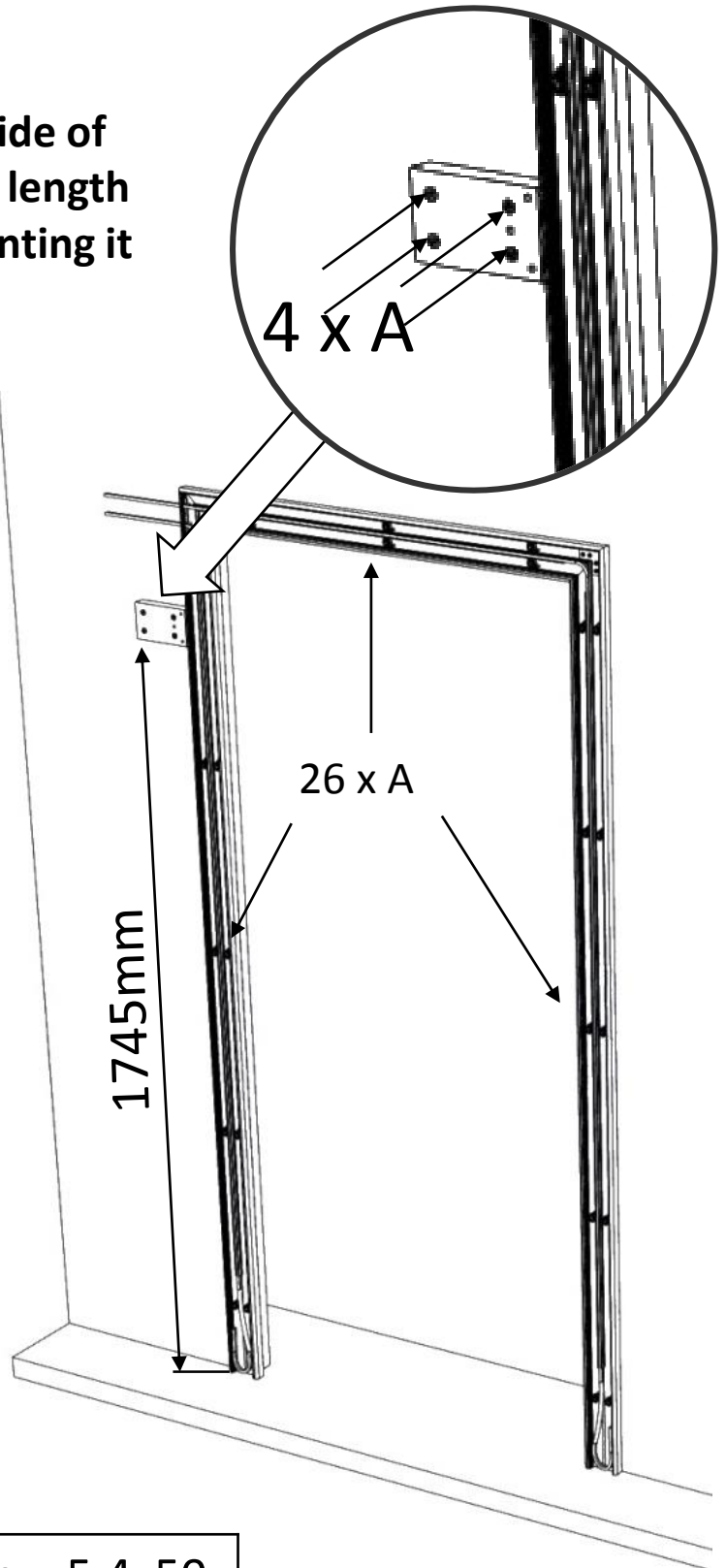
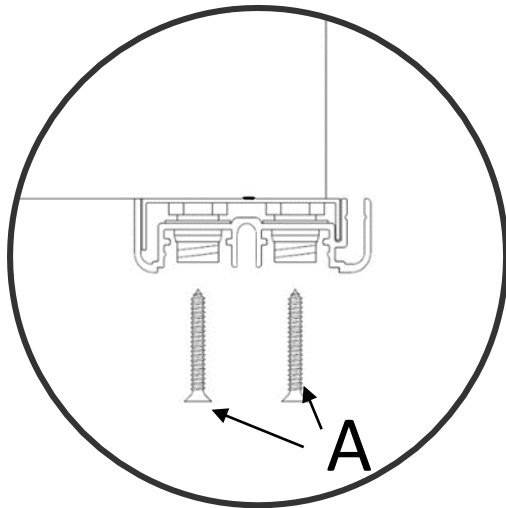
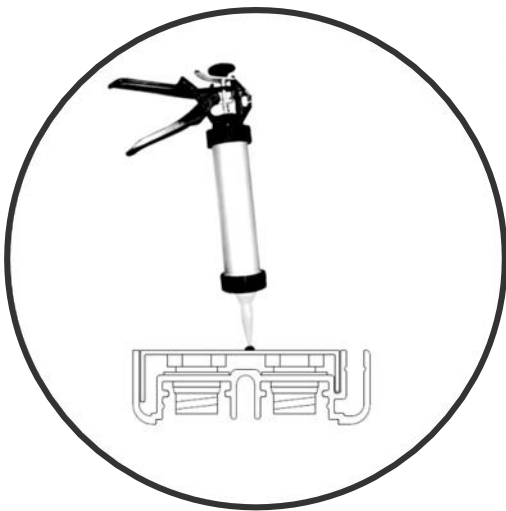


A	Sheet metals crew 5,4x50
B	Click in profile

## Step 02

Screw the frame and the handle angle bar holder to the wall

Put silicone on the back side of the frame over the entire length of the frame before mounting it to the wall.

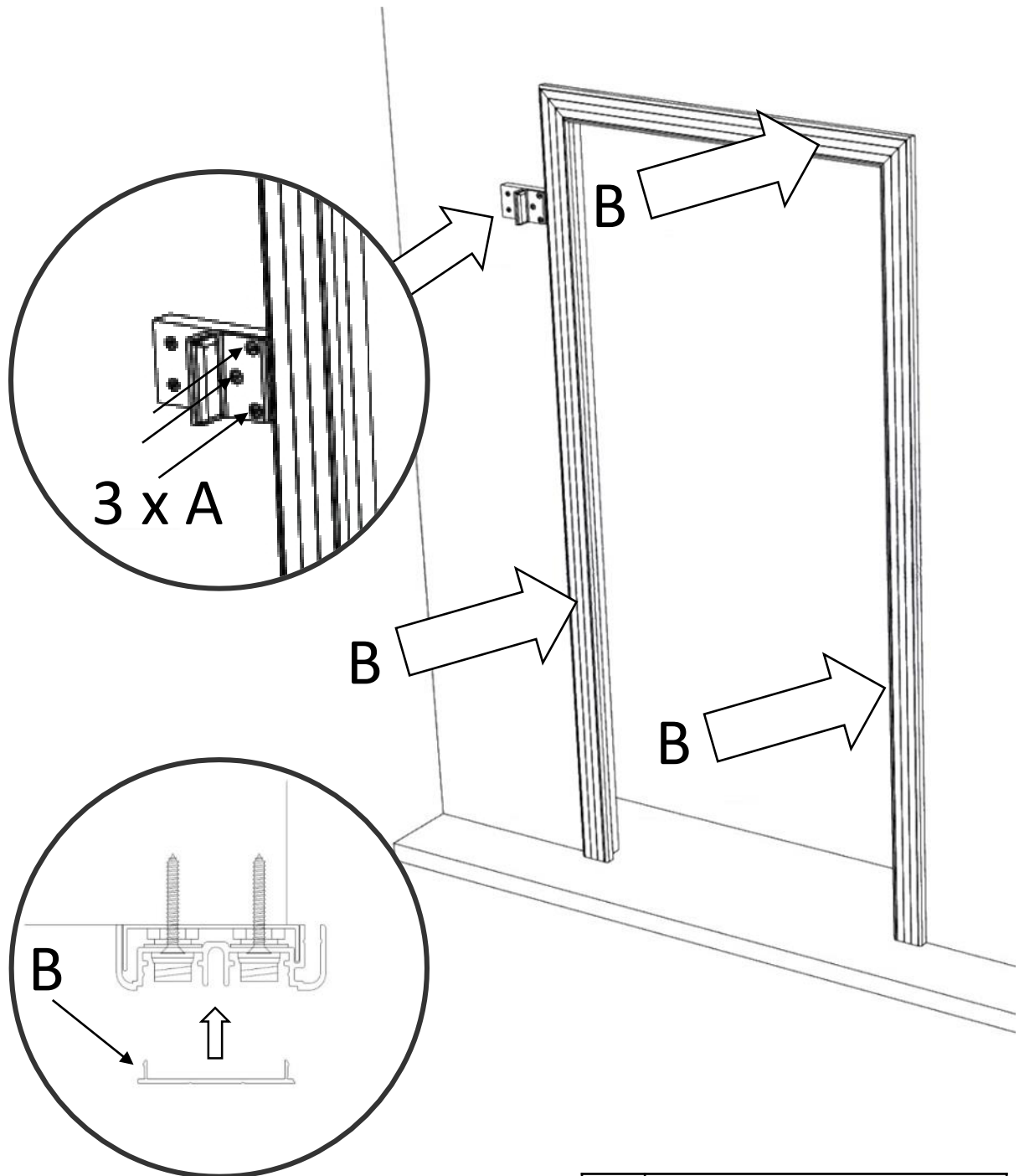


A

Sheet metal screw 5,4x50

## Step 03

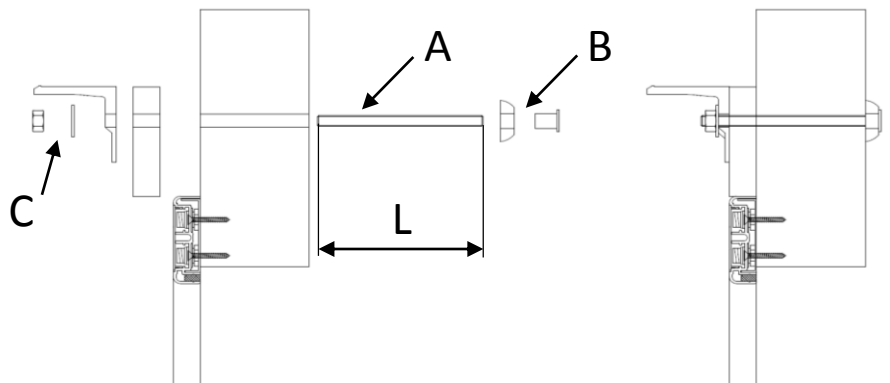
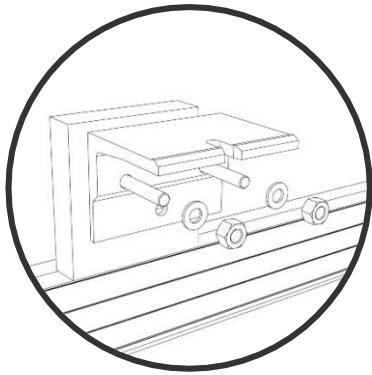
Mount the click in profile and the handle angle bar



A	Screw M6 x 16
B	Click in profile

## Step 04

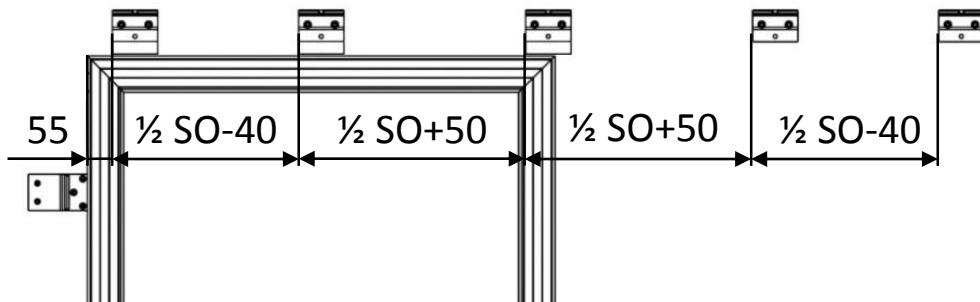
Mount the rail support brackets to the wall



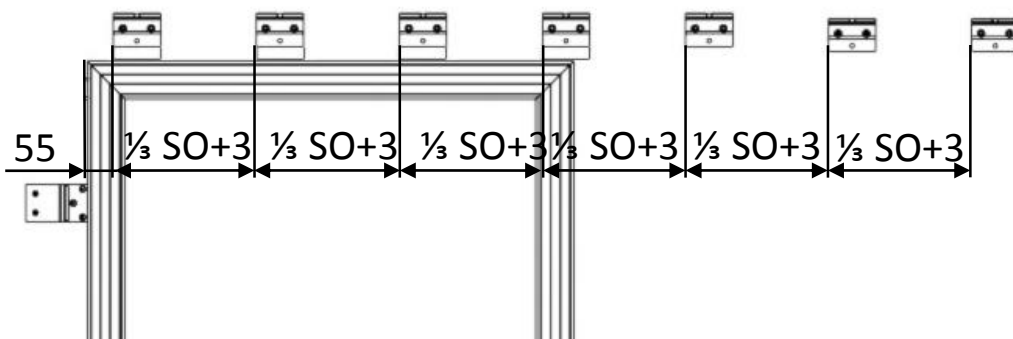
A	M10 threaded bolt
B	Isobolt M10 with washer
C	Nut M10 with washer

$L = \text{Wall thickness} + 35\text{mm}$

**SO ≤ 1900: 5 support brackets**



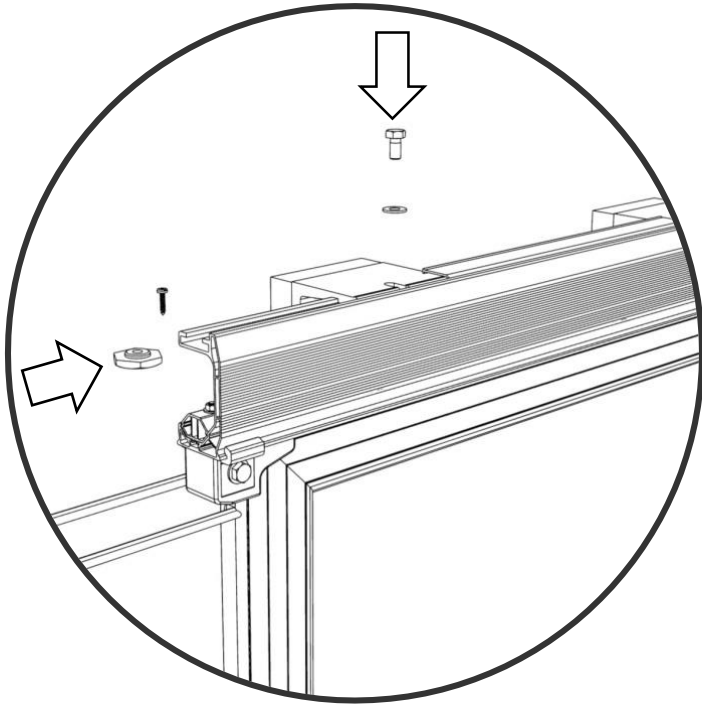
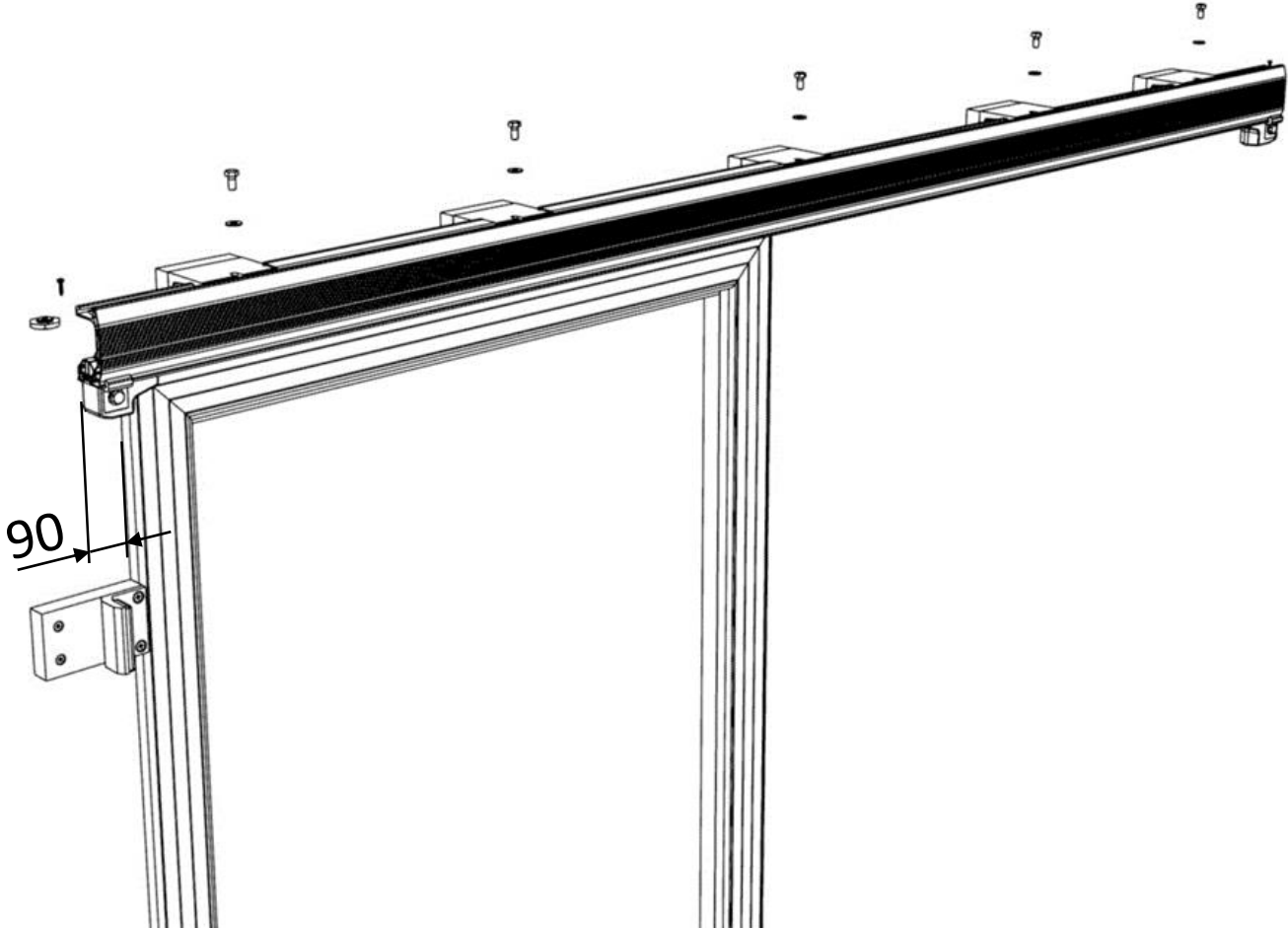
**SO > 1900: 7 support brackets**



SO- structural opening width

# Step 05

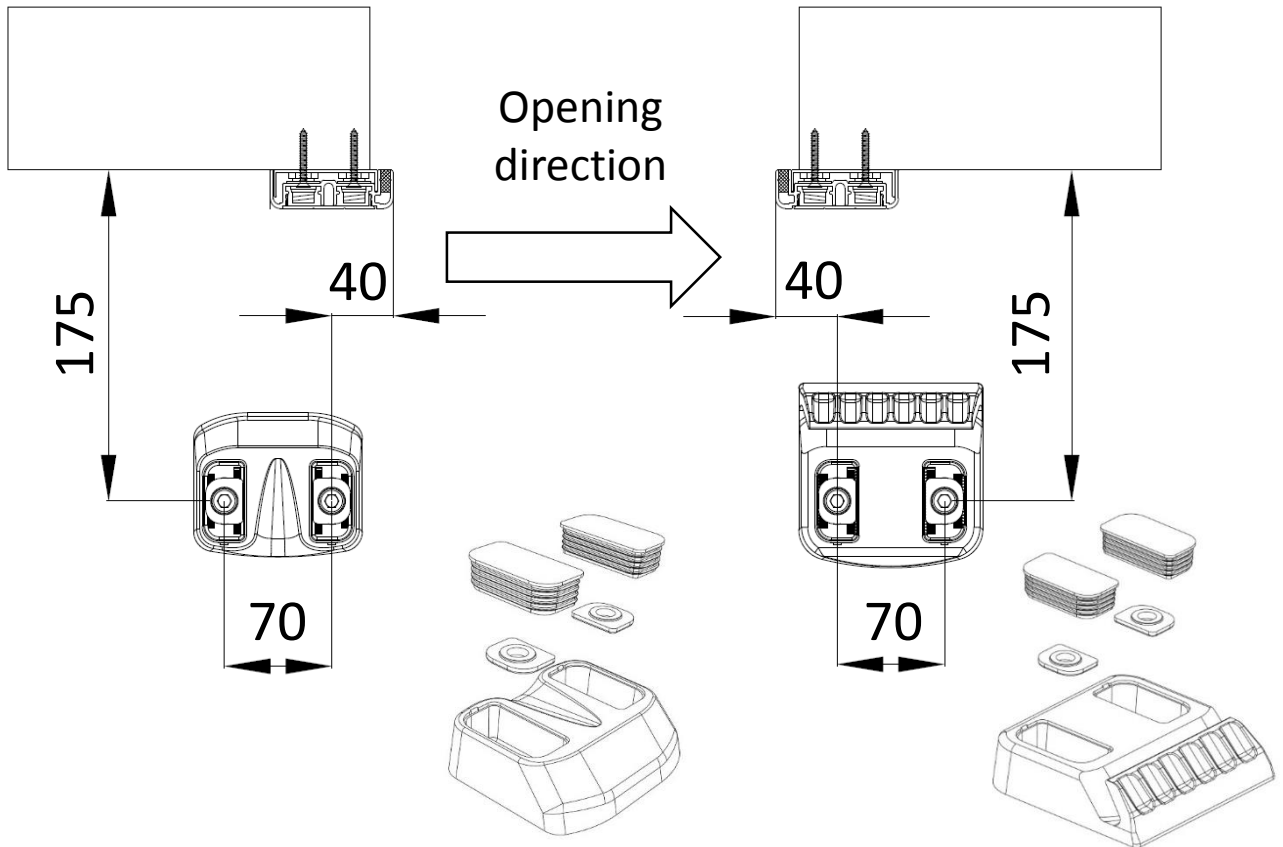
Mount the top rail



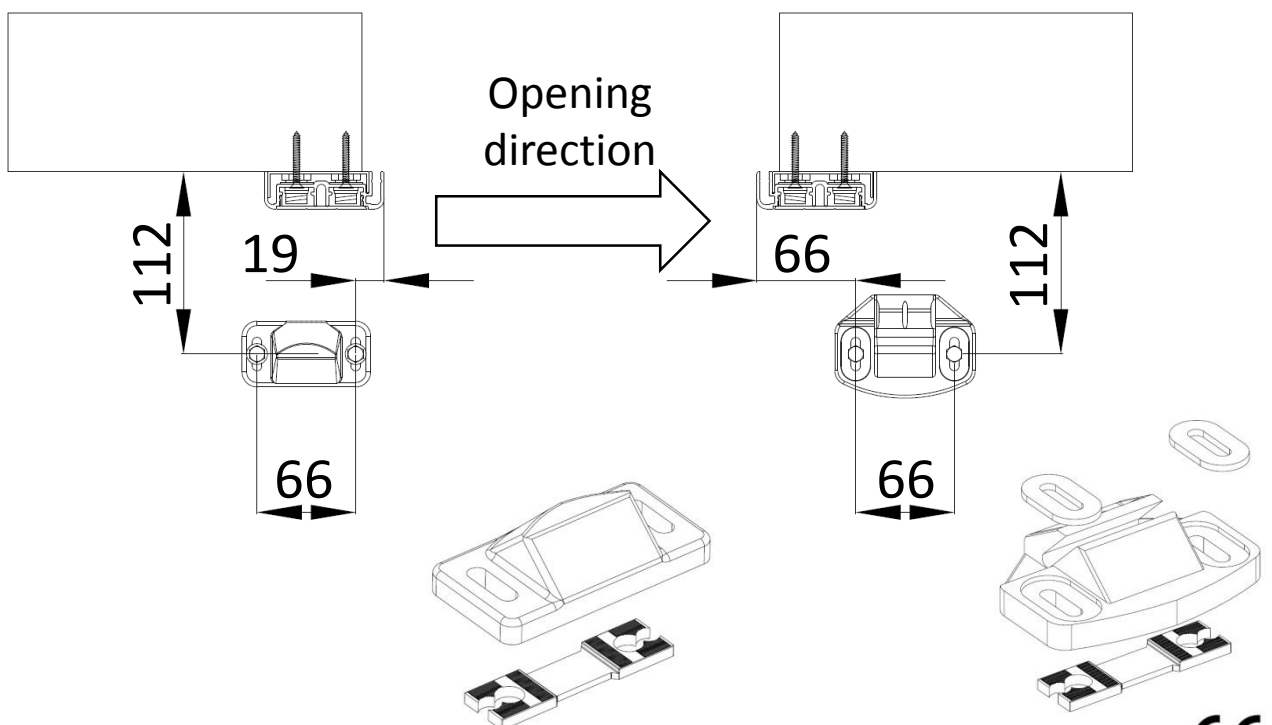
## Step 06

Mount the botom/wall guides

### Fermod 24 bottom guide



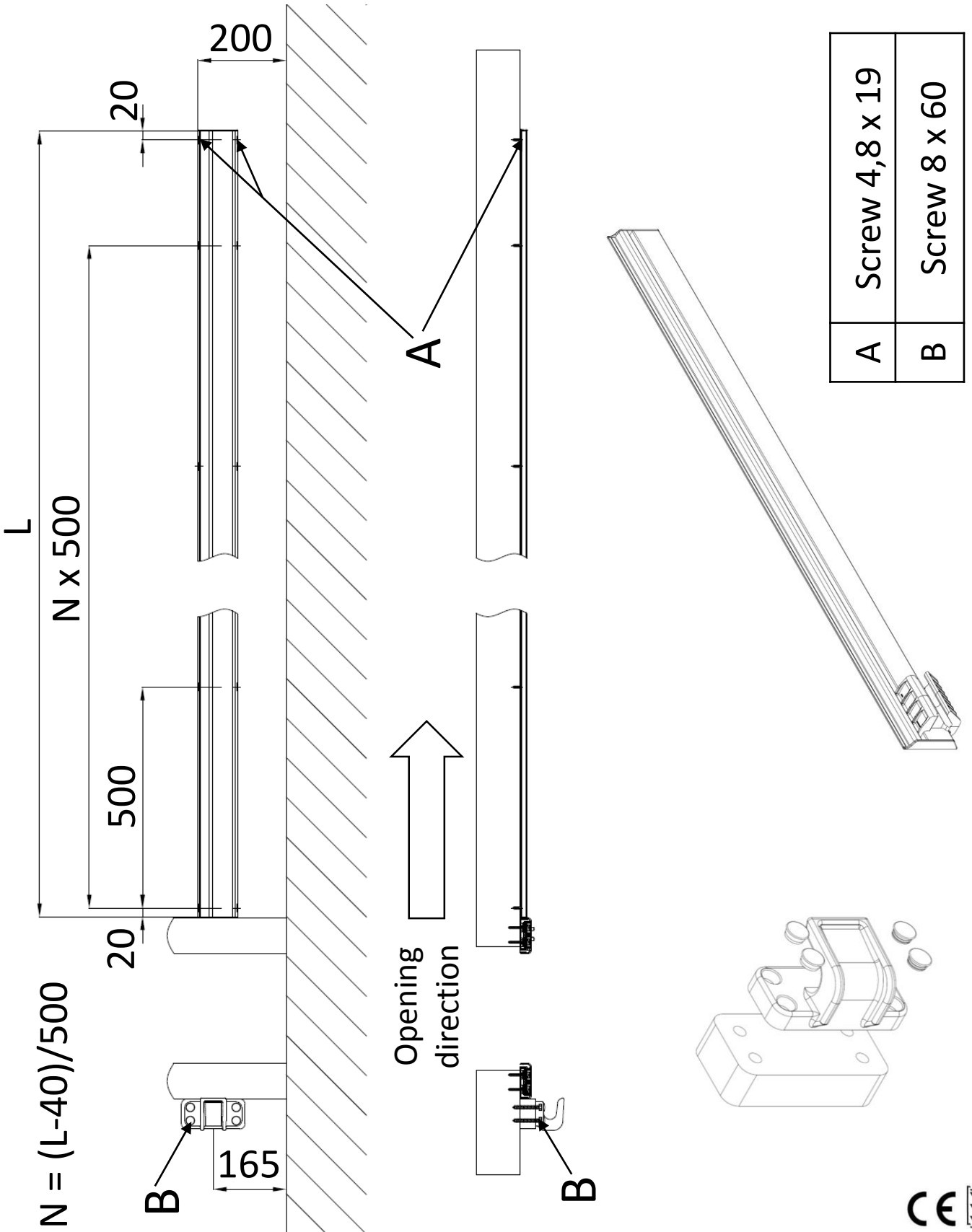
### Fermod 23 bottom guide



# Step 06

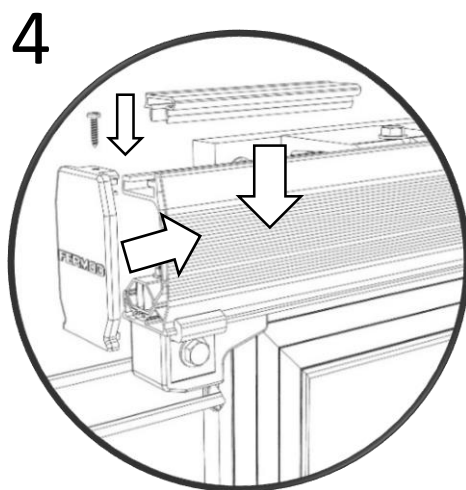
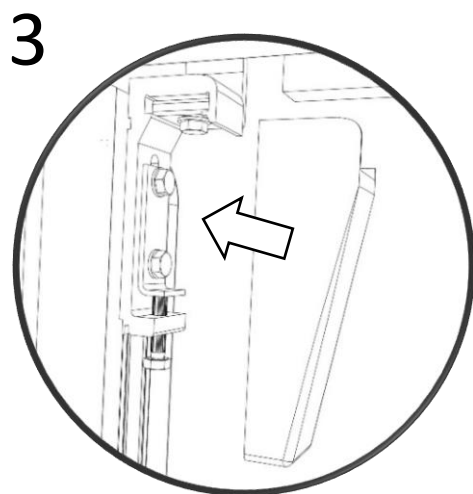
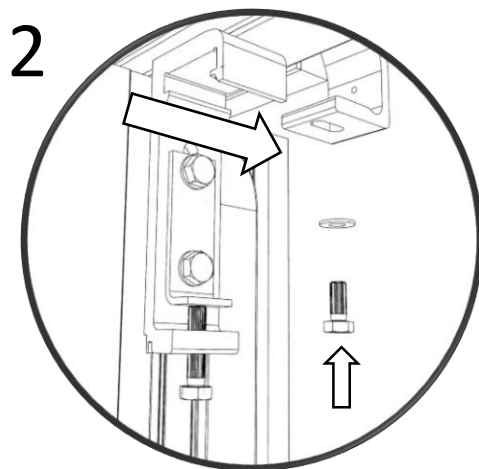
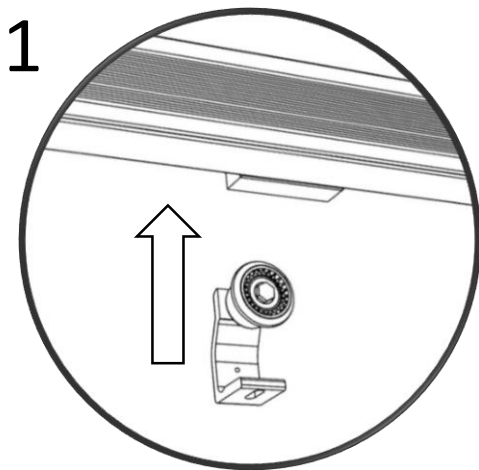
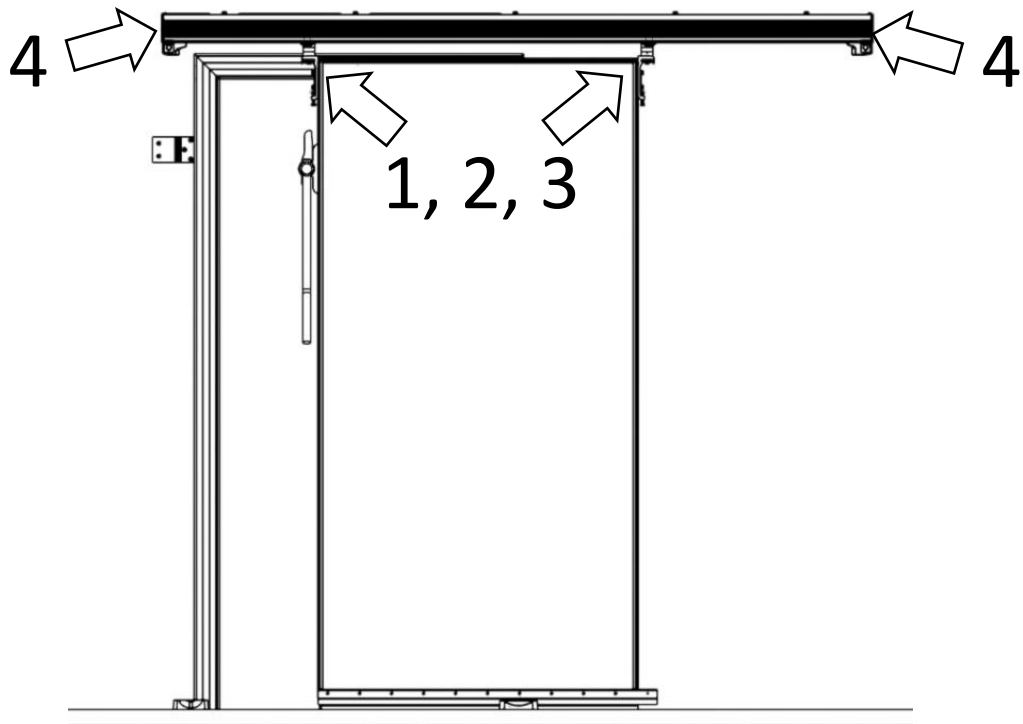
Mount the bottom/wall guides

## Fermod 7540 wall guide



# Step 07

## Mount the door leaf

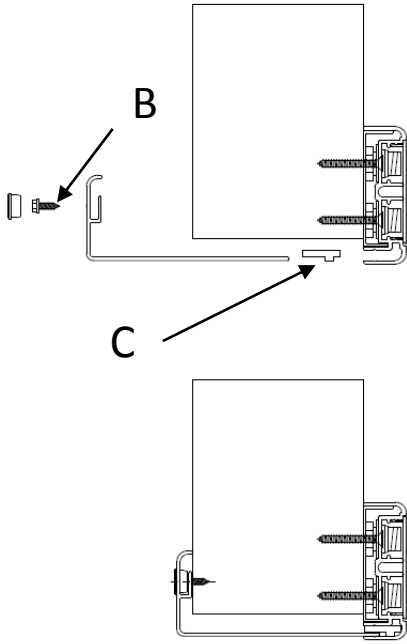




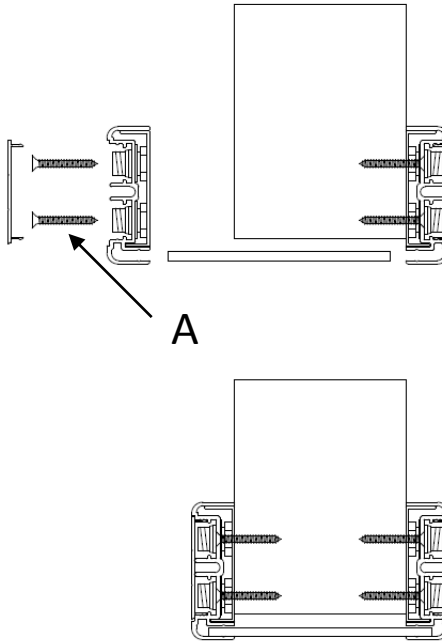
# Step 08

## Additional frame parts installation

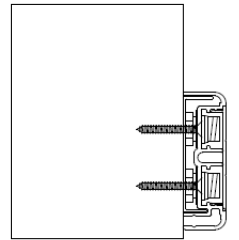
2-side frame type 1



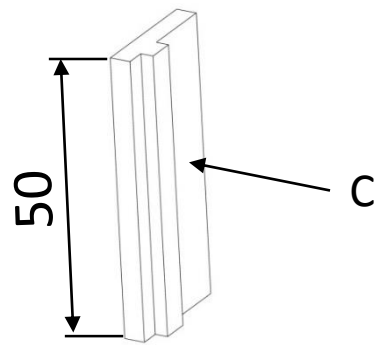
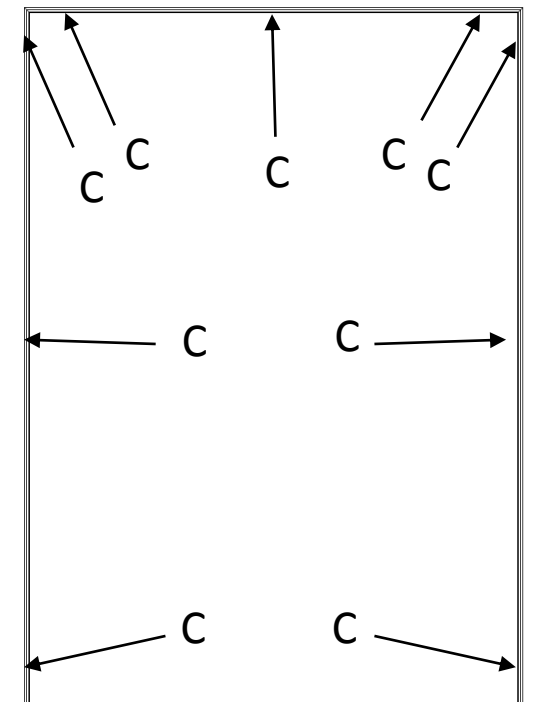
2-side frame type 2



1-side frame



Foder holder placement (2-side frame type 1)

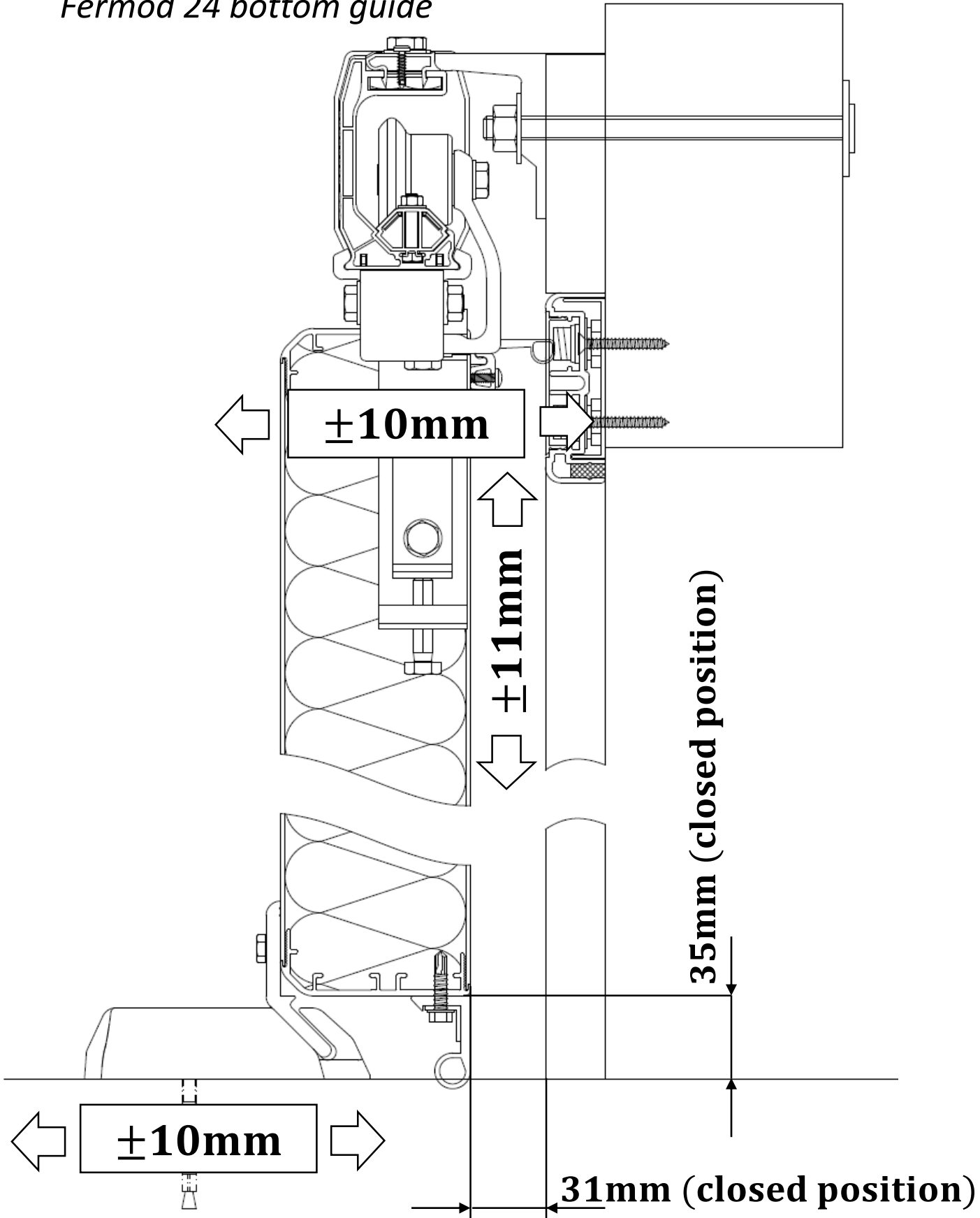


A	Sheet metal screw 5,4x50
B	Sheet metal screw 4,2x13
C	Angle profile holder L=50mm

# Step 09

Adjust the door leaf

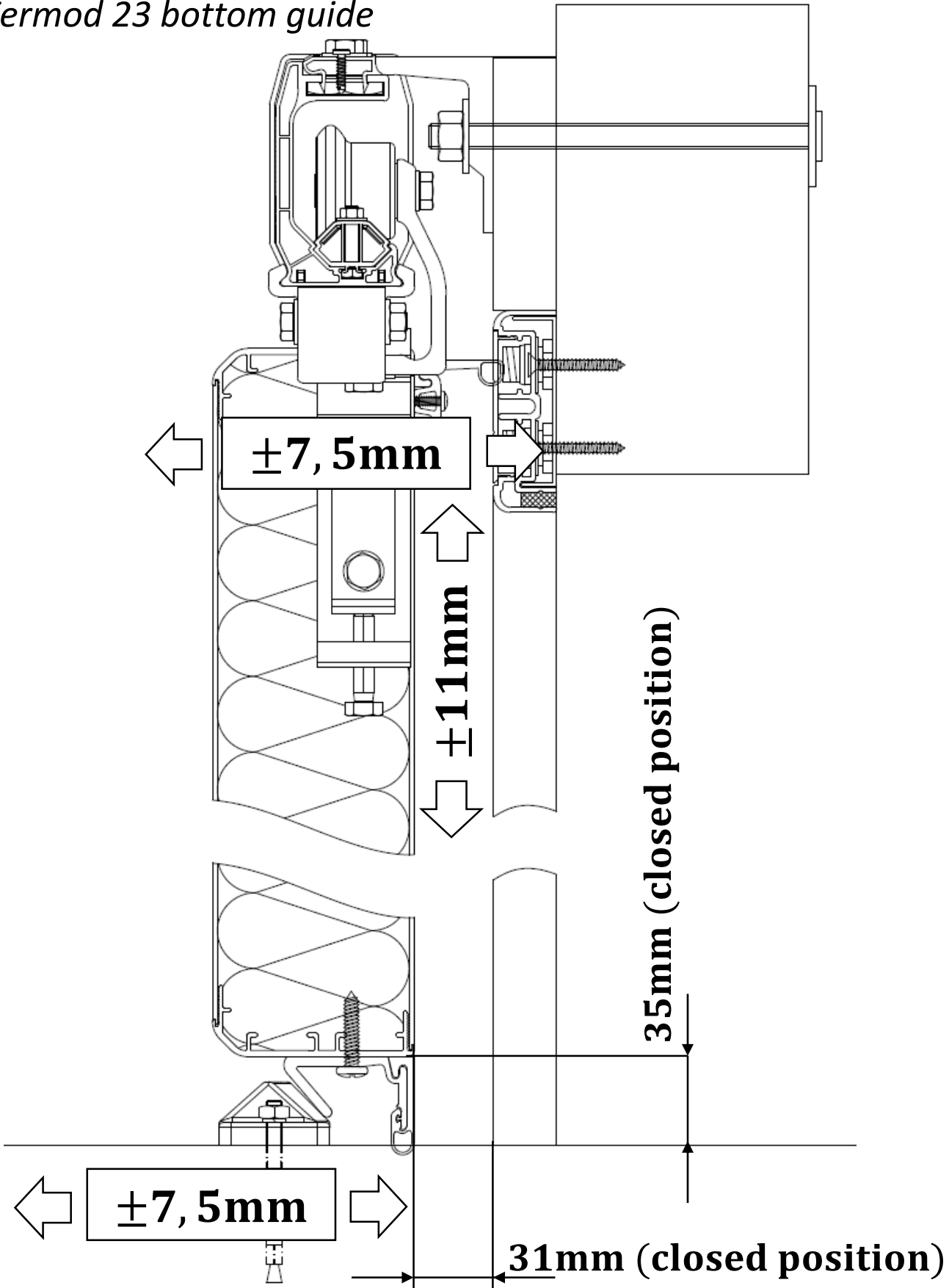
*Fermod 24 bottom guide*



# Step 09

Adjust the door leaf

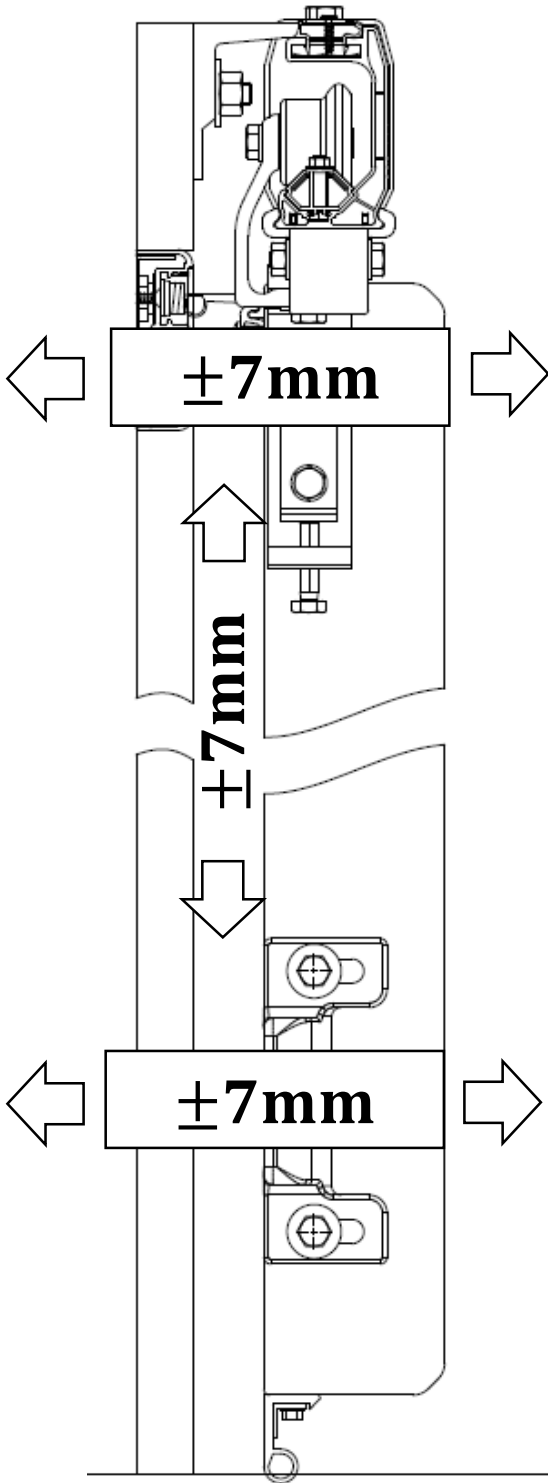
*Fermod 23 bottom guide*



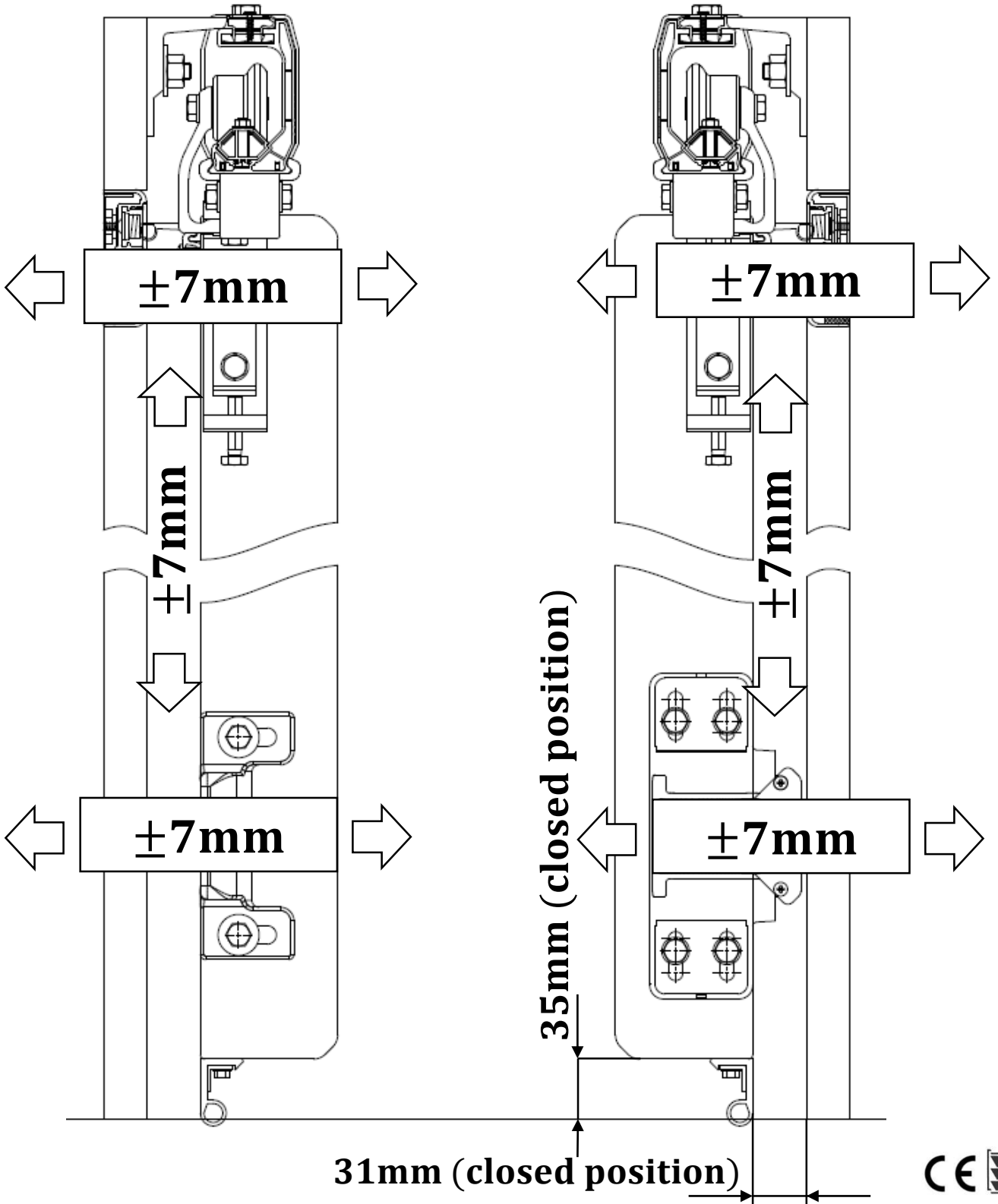
## Step 09

Adjust the door leaf  
*Fermod 7540 wall guide*

Closing side



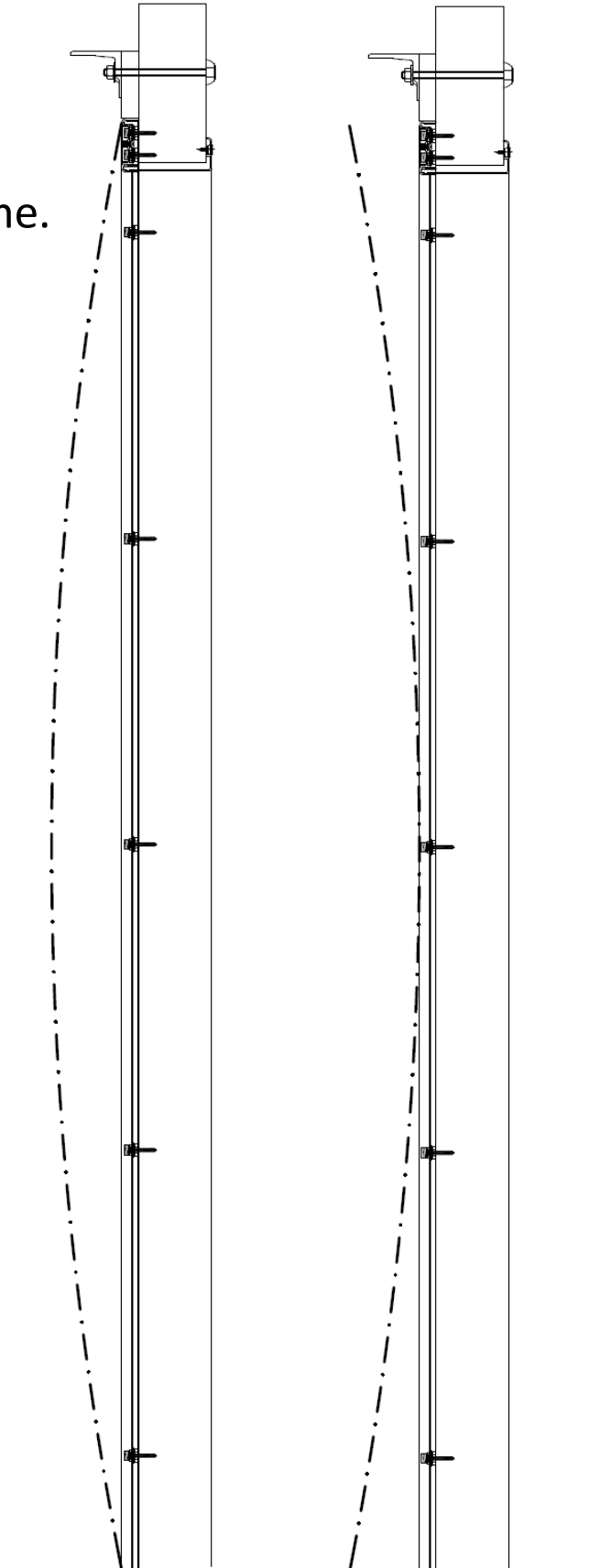
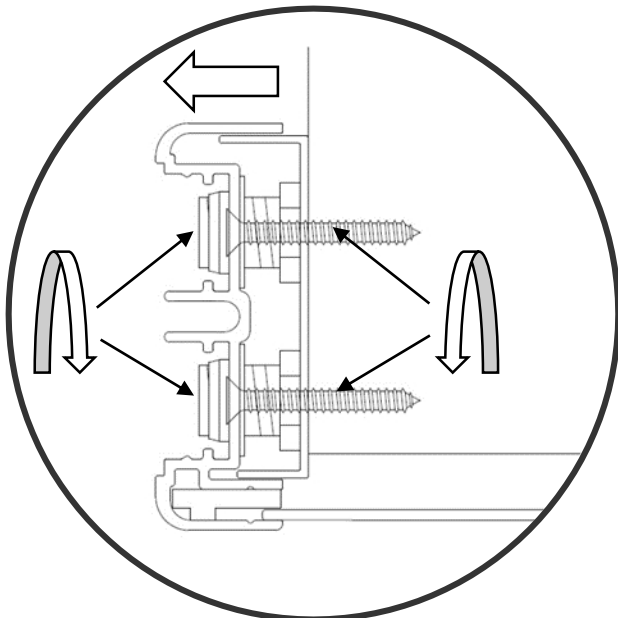
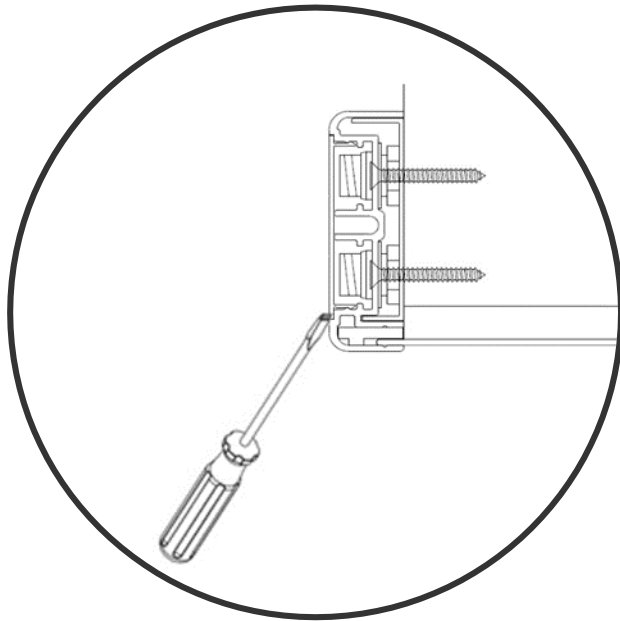
Opening side



## Step 10

### Frame adjustment with Flex Frame system

The door leaf gasket and the frame should be parallel from the top to the bottom.  
If they are not, adjust the frame.



## Step 11

Seal the space between the frame and the floor with silicone

