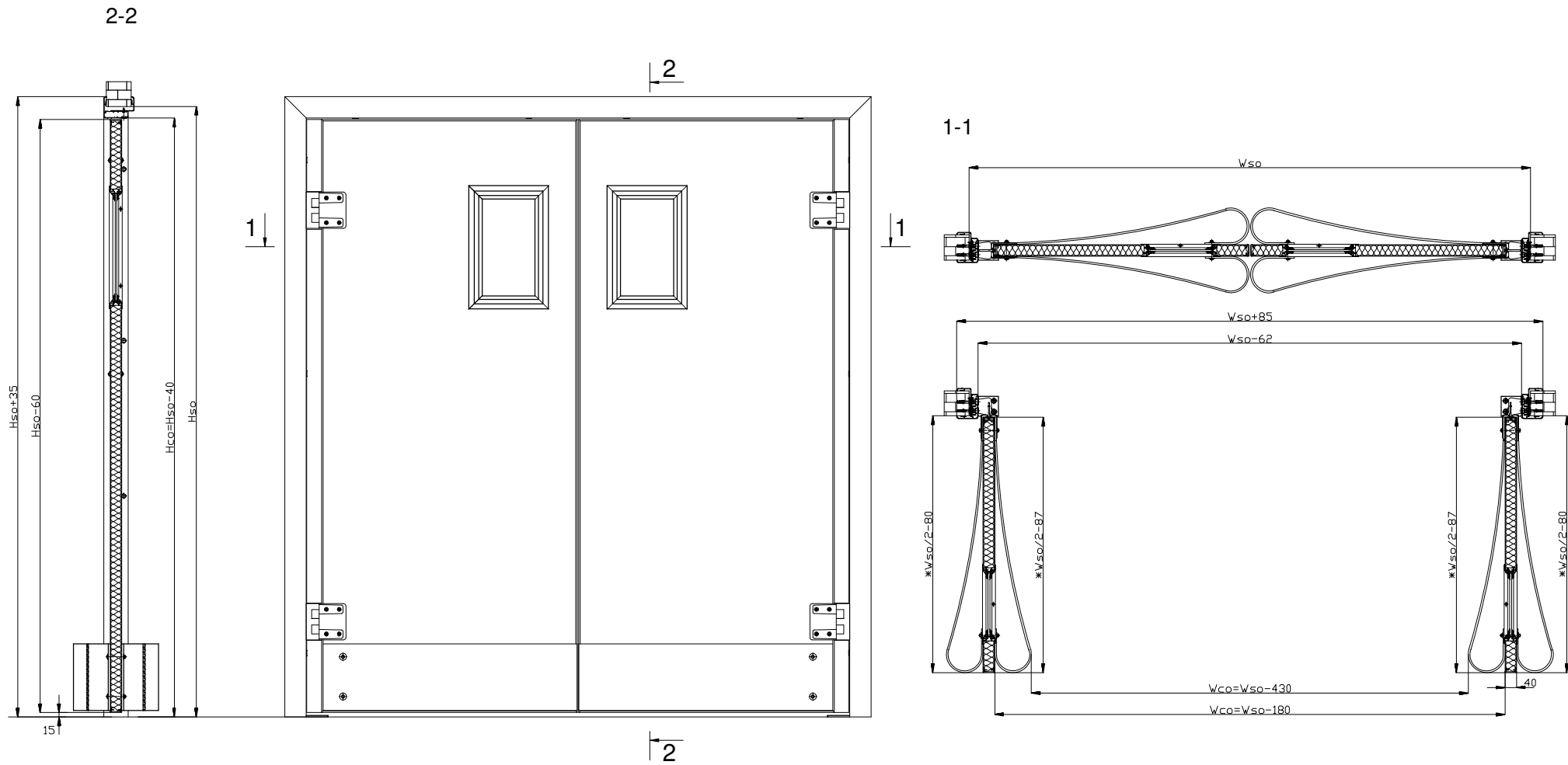



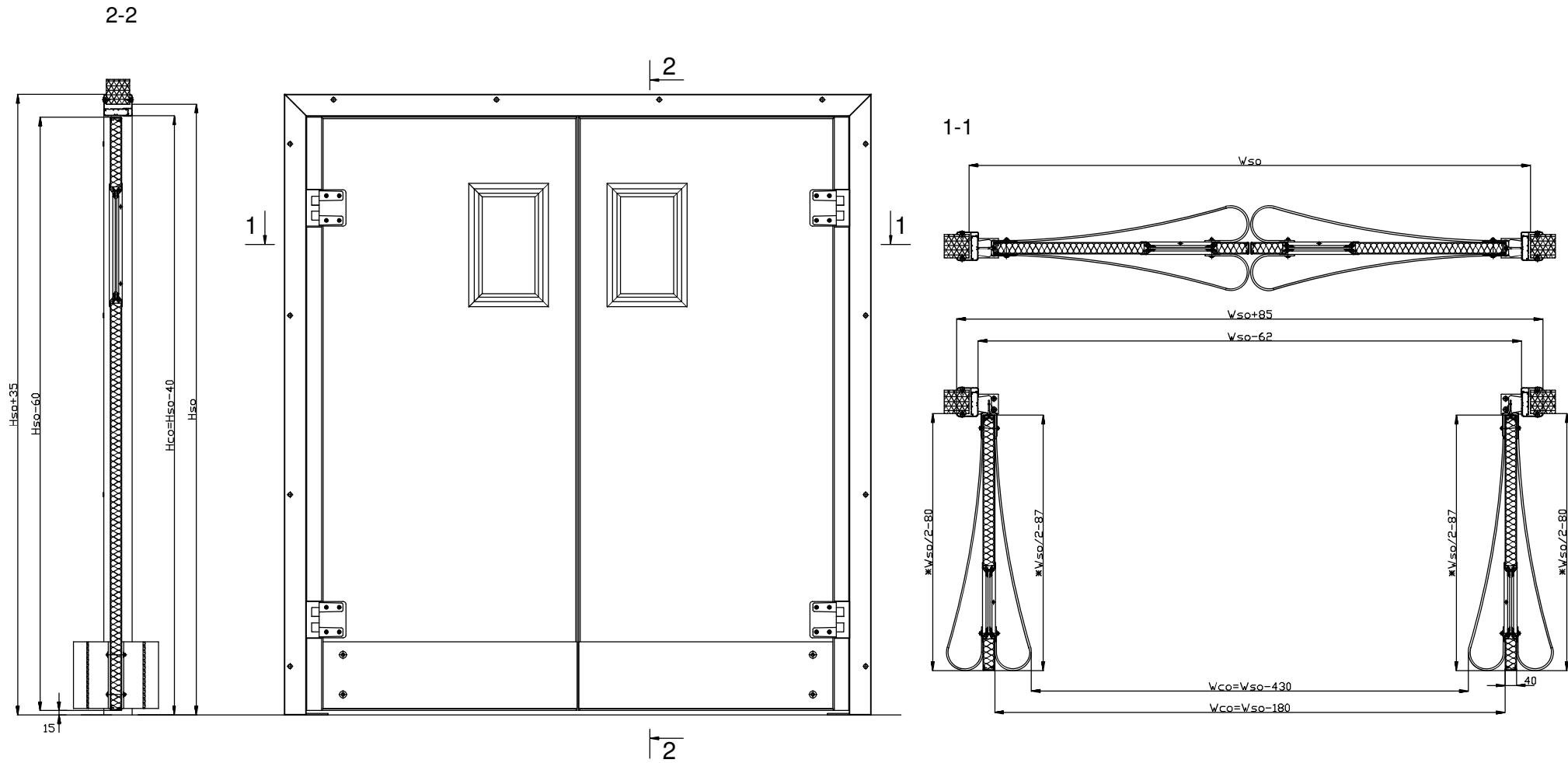
CHANGE HISTORY TABLE				
No	Rev.	Modification description	Date	Initials
1.	01	Initial Release	10-11-2011	PB
2.				
3.				




* formula valid only for symmetrical leaves

	Contact address: THERMOD AB Söderborgsvägen 32 SE-671 95 Klässbol, Sweden tel. (0)570 72 74 70 fax. (0)570 72 74 71 info@thermod.se	Drawing name: PDD, two sided cover, mounting for wall	Drawing number: 040-021-00
	Date: 10-11-2011	Drawn by: P.Batura	Scale: 1:10
			Revision: 01

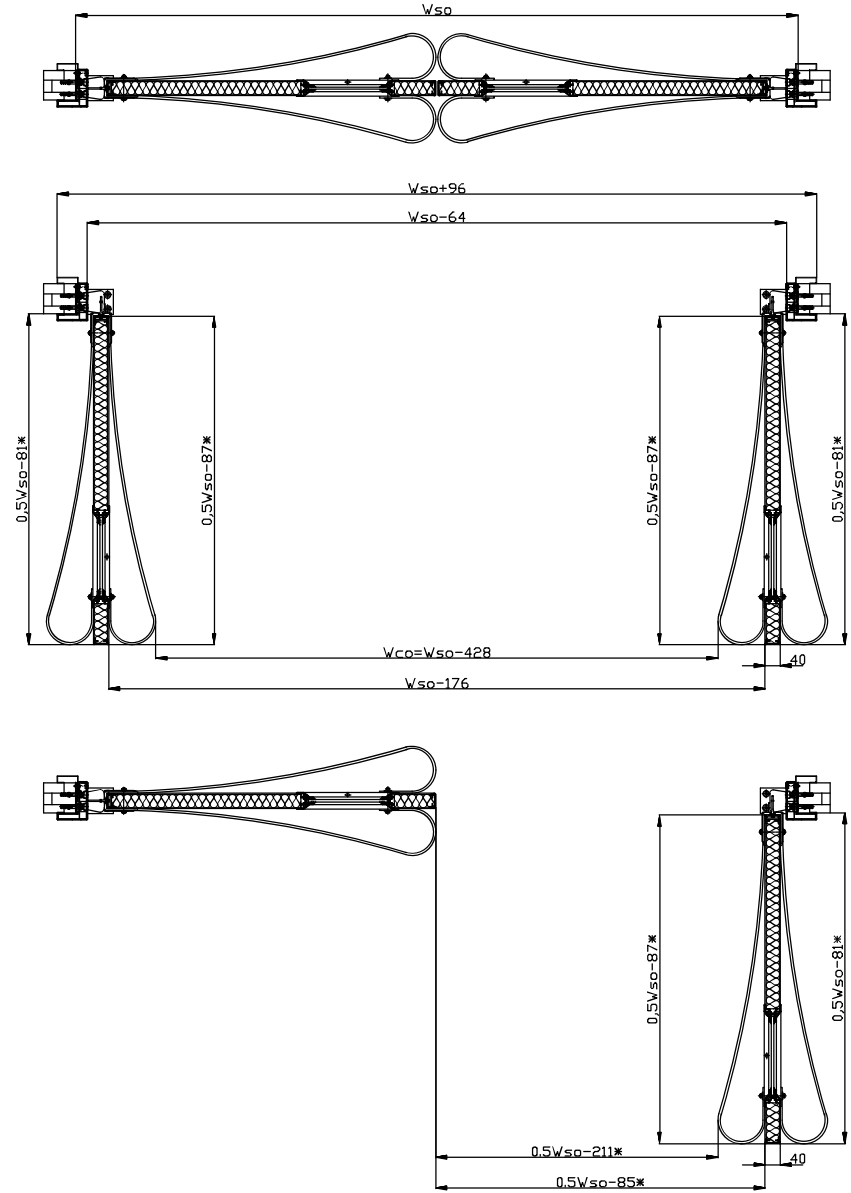
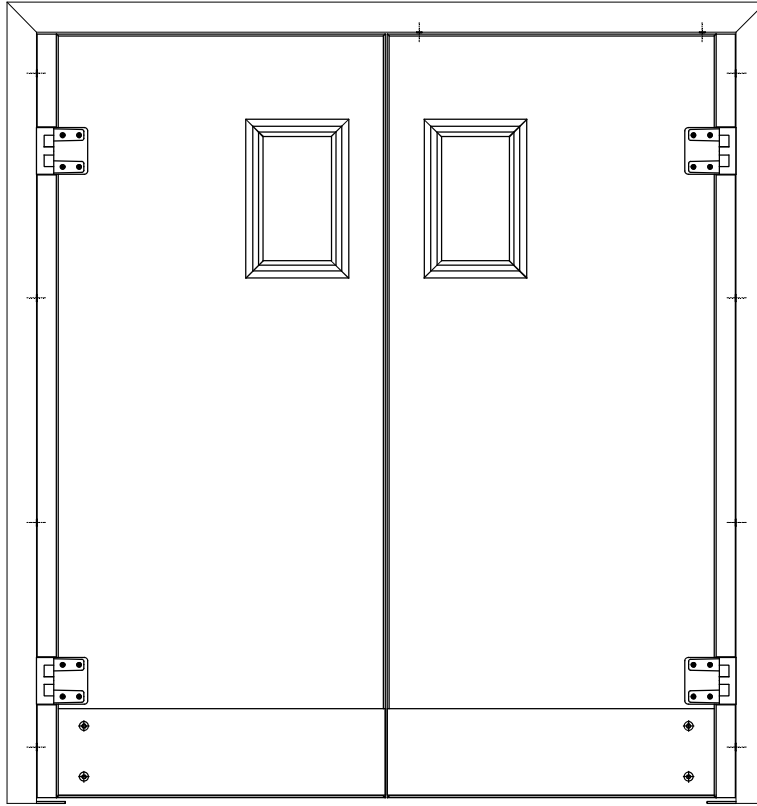
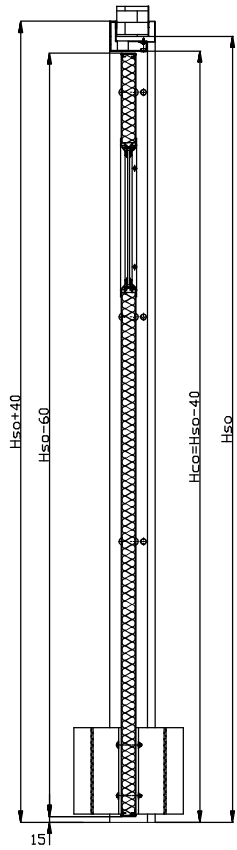
CHANGE HISTORY TABLE				
No	Rev.	Modification description	Date	Initials
1.	01	Initial Release	10-11-2011	PB
2.				
3.				



* formula valid only for symmetrical leaves

	Contact address: THERMOD AB Söderborgsvägen 32 SE-671 95 Klässbol, Sweden tel. (0)570 72 74 70 fax. (0)570 72 74 71 info@thermod.se		Drawing name: PDD, two sided cover (N1), mounting for panel 80mm		Drawing number: 040-024-00	
	Date: 10-11-2011	Drawn by: P.Batura	Scale: 1:10	Print format: A2	Revision: 01	

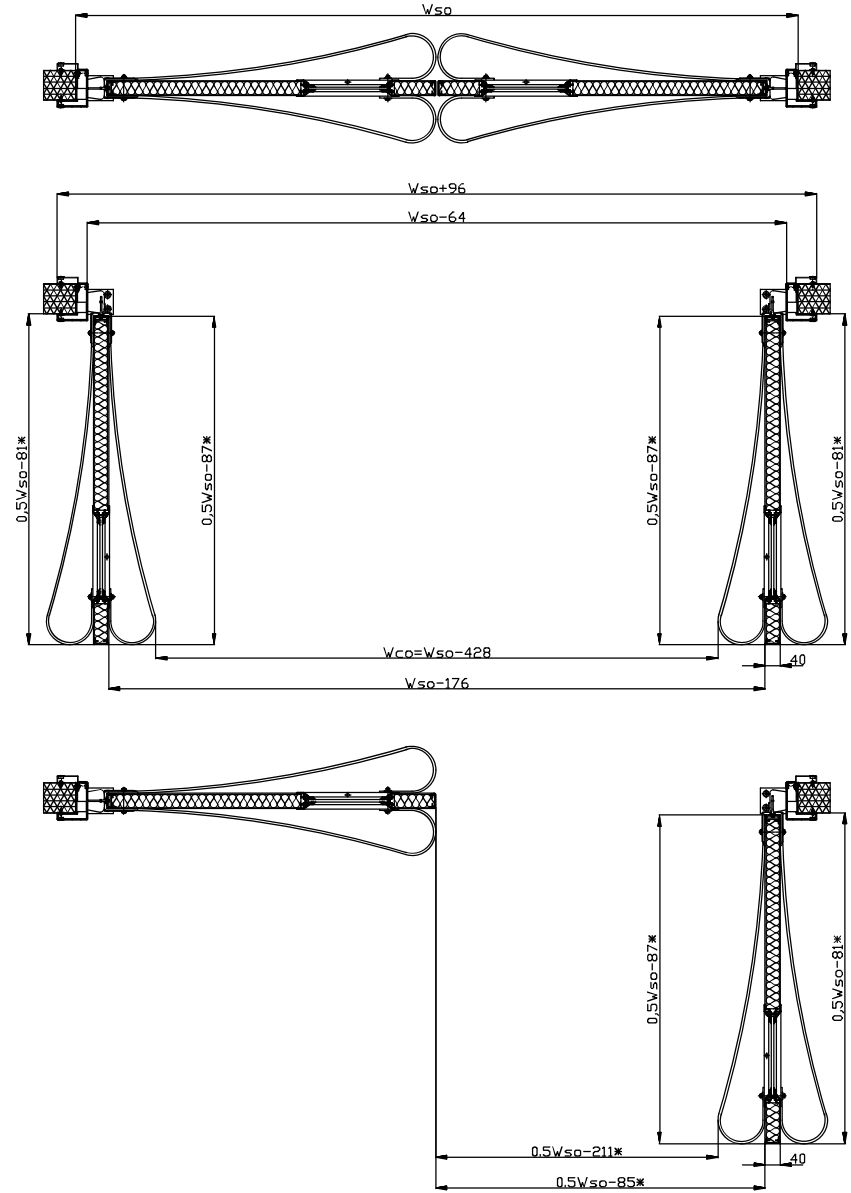
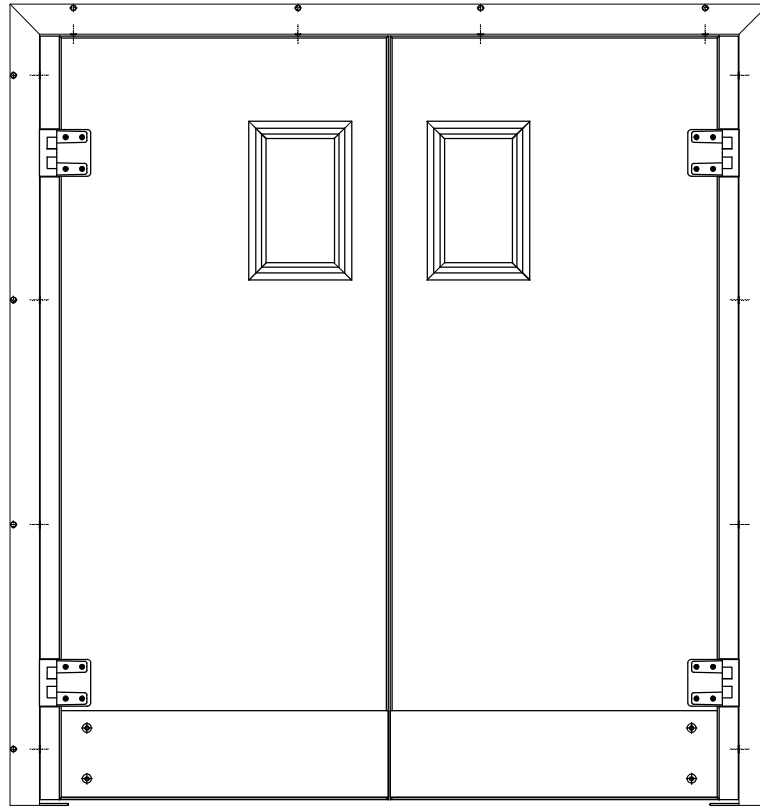
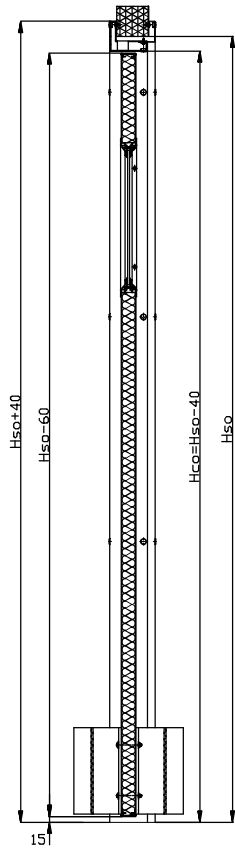
CHANGE HISTORY TABLE				
No	Rev.	Modification description	Date	Initials
1.	01	Initial Release	06-10-2014	SK
2.				
3.				



* formula valid only for symmetrical leaves

	Contact address: THERMOD AB Söderborgsvägen 32 SE-671 95 Klässbol, Sweden tel. (0)570 72 74 70 fax. (0)570 72 74 71 info@thermod.se	Drawing name: PDD stainless frame, two sided cover, mounting for wall	Drawing number: 	
	Date: 06.10.2014.	Drawn by: S.Kogut	Scale: 1:10	Print format: A2

CHANGE HISTORY TABLE				
No	Rev.	Modification description	Date	Initials
1.	01	Initial Release	06-10-2014	SK
2.				
3.				

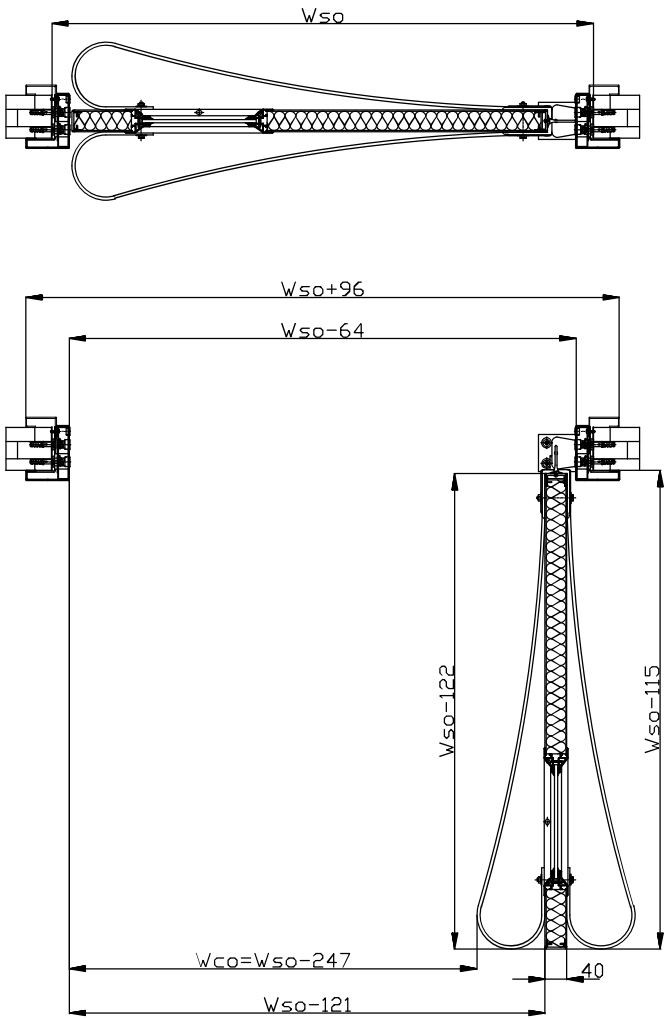
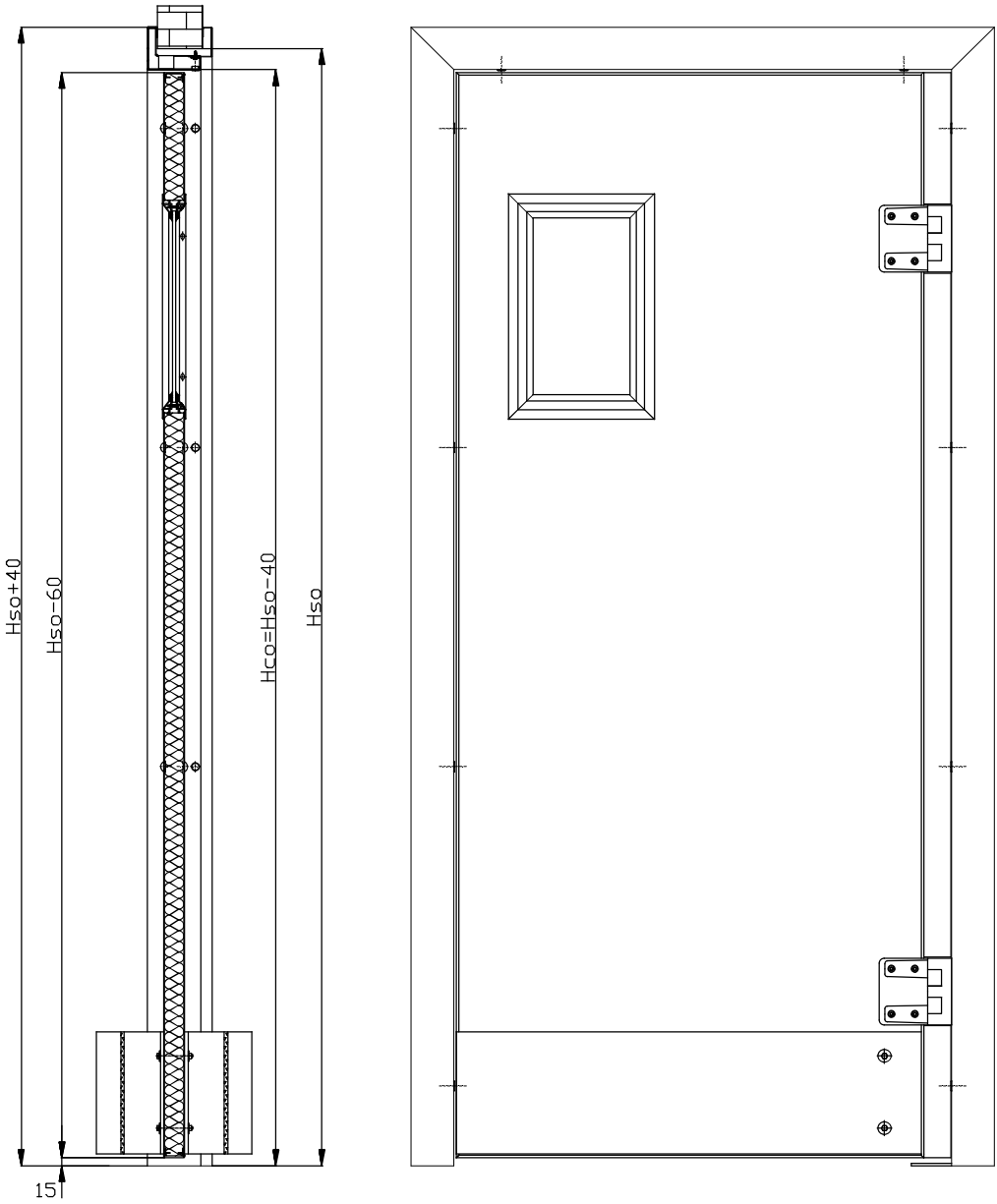


* formula valid only for symmetrical leaves

	Contact address: THERMOD AB Söderborgsvägen 32 SE-671 95 Klässbol, Sweden tel. (0)570 72 74 70 fax. (0)570 72 74 71 info@thermod.se	Drawing name: PDD stainless frame, two sided cover, mounting for panel	Drawing number: 	
	Date: 06.10.2014.	Drawn by: S.Kogut	Scale: 1:10	Print format: A2

CHANGE HISTORY TABLE

No	Rev.	Modification description	Date	Initials
1.	00	Initial Release	06-10-2014	SK
2.				
3.				



Contact address:
 THERMOD AB
 Söderborgsvägen 32
 SE-671 95 Klässbol, Sweden
 tel. (0)570 72 74 70
 fax. (0)570 72 74 71
 info@thermod.se

Drawing name:
 PD stainless steel frame,
 two sided cover,
 mounting for wall

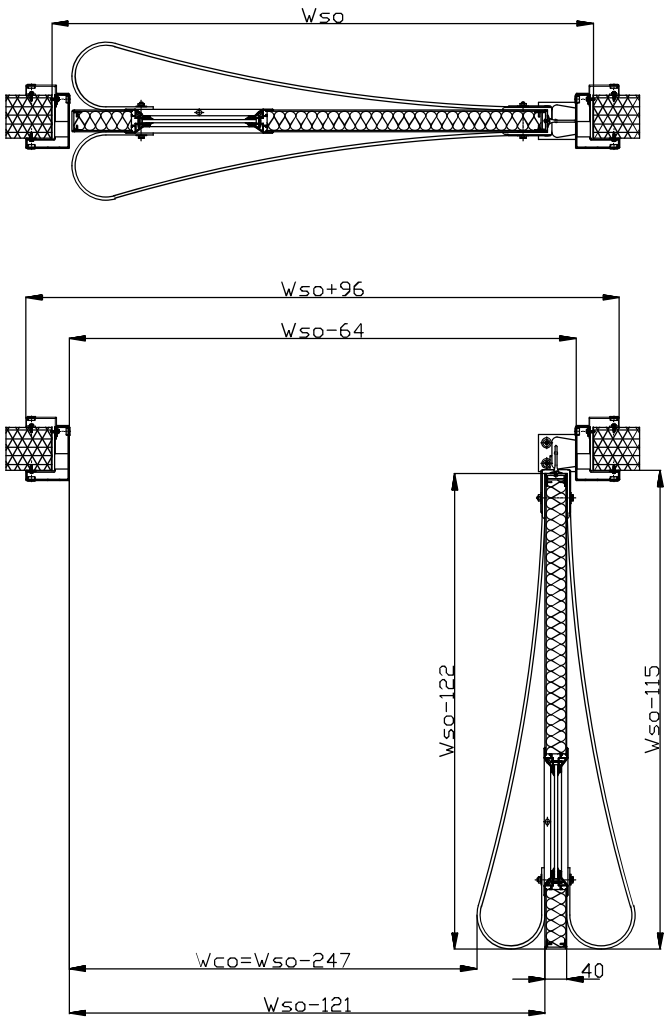
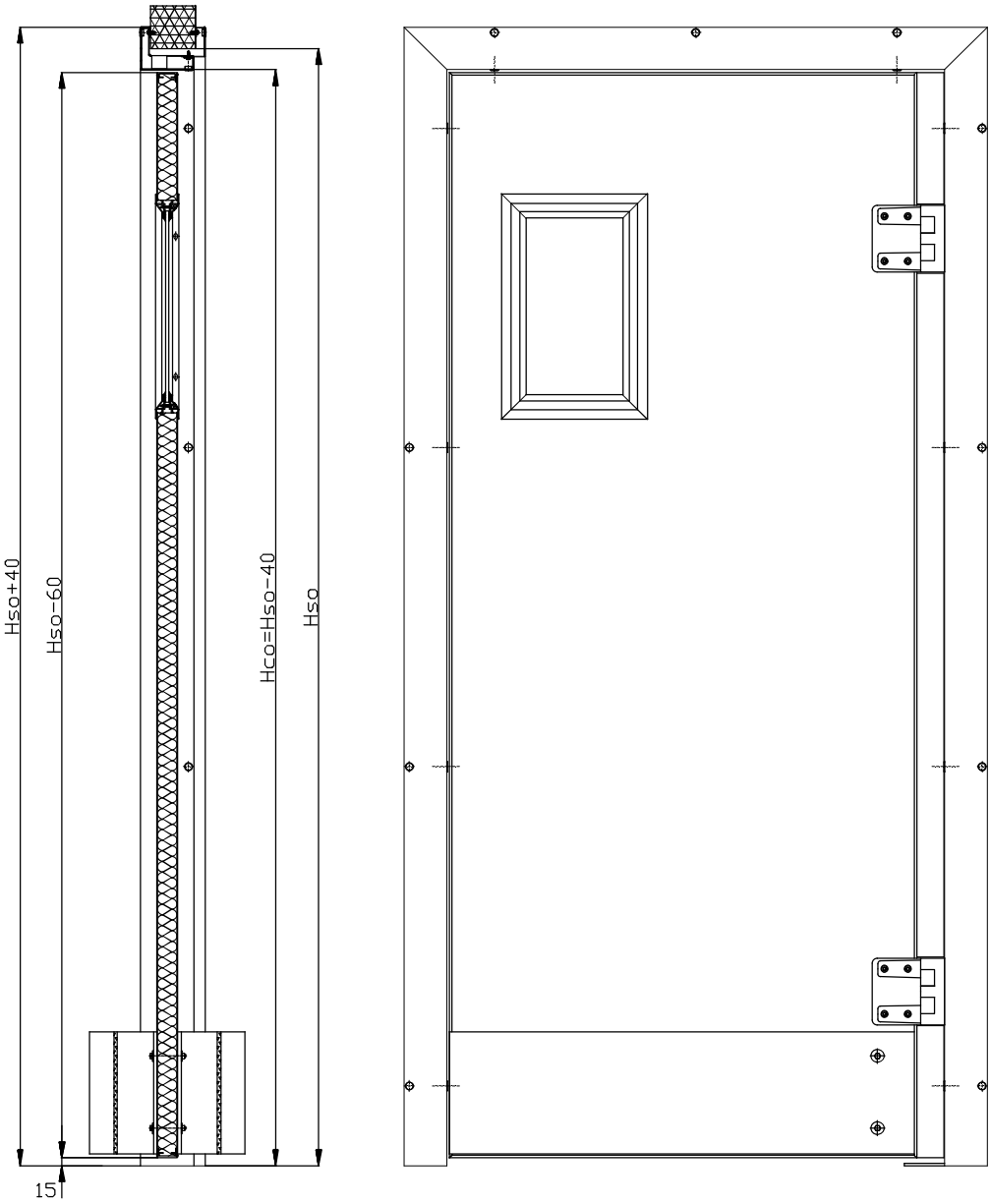
Date: 06-10-2014
 Drawn by: S.Kogut
 Scale: 1:10

Drawing number:

Print format: A3
 Revision: 00

CHANGE HISTORY TABLE

No	Rev.	Modification description	Date	Initials
1.	00	Initial Release	06-10-2014	SK
2.				
3.				



Contact address:
THERMOD AB
 Söderborgsvägen 32
 SE-671 95 Klässbol, Sweden
 tel. (0)570 72 74 70
 fax. (0)570 72 74 71
 info@thermod.se

Drawing name:
**PD stainless steel frame,
 two sided cover,
 mounting for panel**

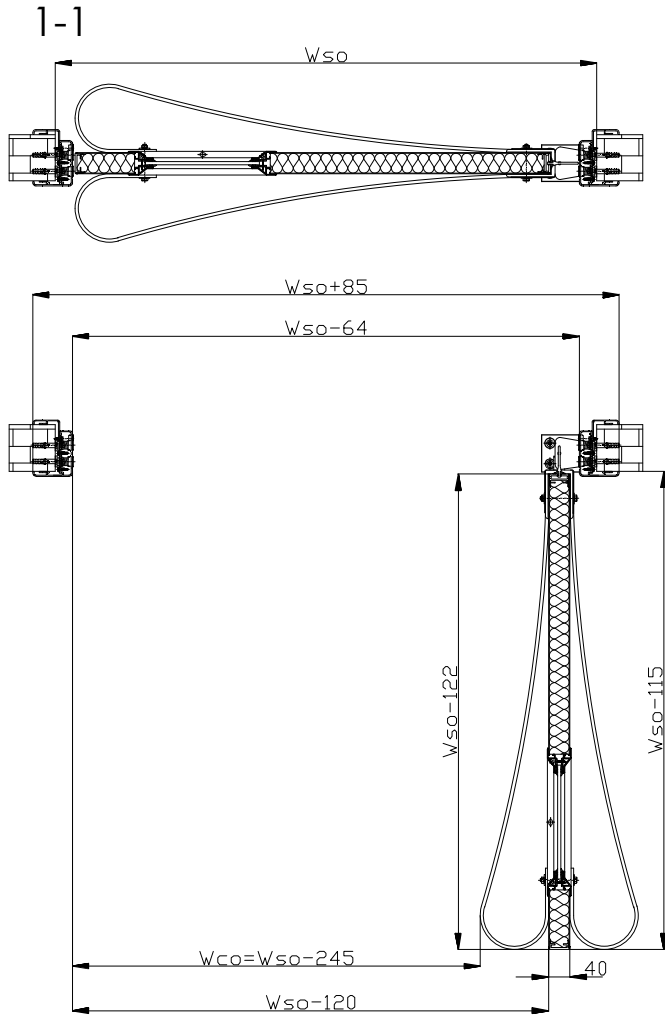
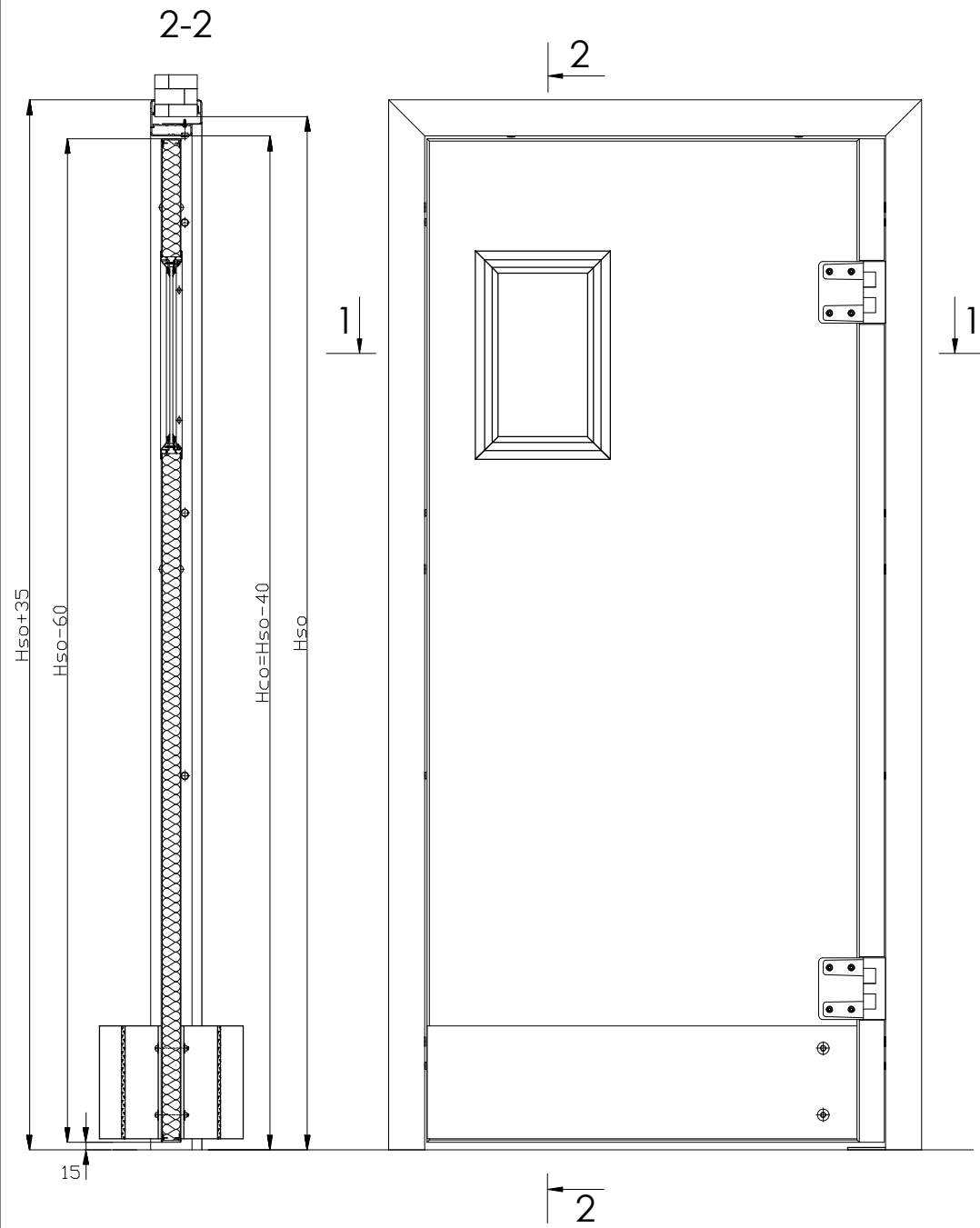
Date: 06-10-2014
 Drawn by: S.Kogut
 Scale: 1:10

Drawing number:

Print format: A3
 Revision: 00

CHANGE HISTORY TABLE

No	Rev.	Modification description	Date	Initials
1.	01	Initial Release	10-11-2011	PB
2.				
3.				



Contact address:
THERMOD AB
 Söderborgsvägen 32
 SE-671 95 Klässbol, Sweden
 tel. (0)570 72 74 70
 fax. (0)570 72 74 71
 info@thermod.se

Drawing name:
**PD, two sided cover (N2),
 mounting for wall**

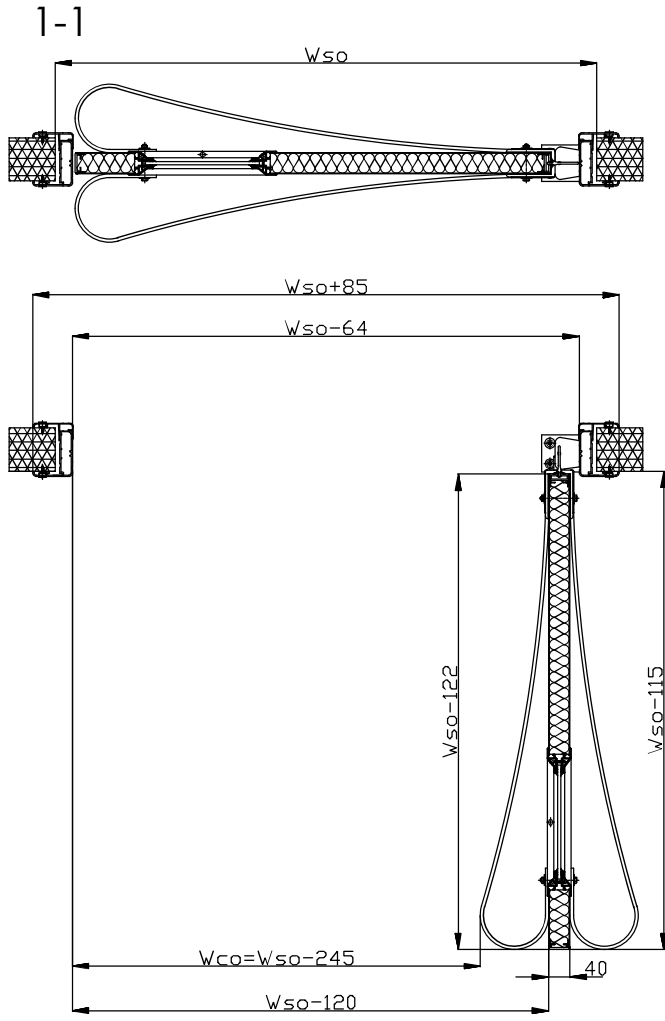
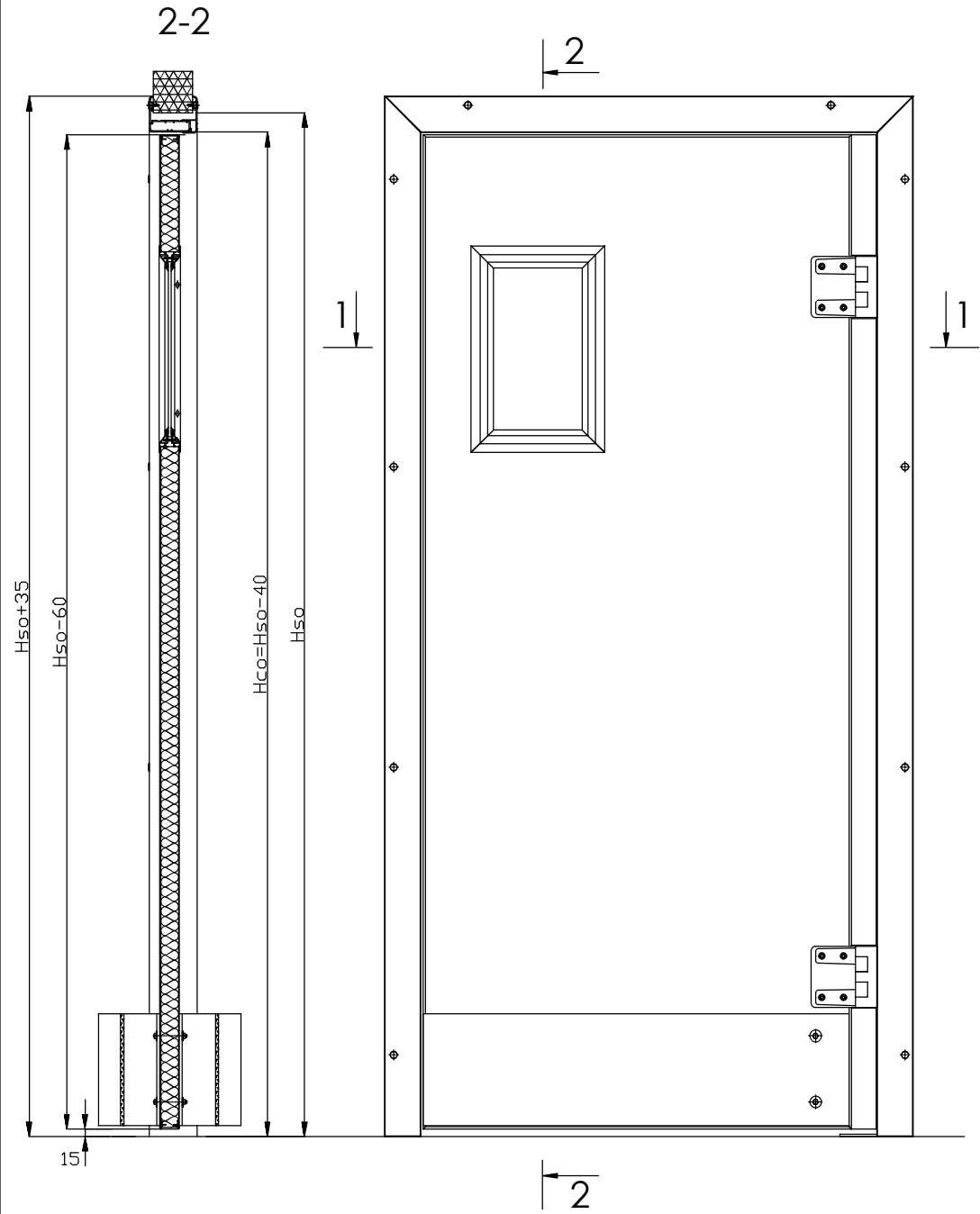
Date: 10-11-2011
 Drawn by: P.Batura
 Scale: 1:10

Drawing number:
040-011-00

Print format: A3
 Revision: 01

CHANGE HISTORY TABLE

No	Rev.	Modification description	Date	Initials
1.	01	Initial Release	10-11-2011	PB
2.				
3.				



Contact address:
THERMOD AB
 Söderborgsvägen 32
 SE-671 95 Klässbol, Sweden
 tel. (0)570 72 74 70
 fax. (0)570 72 74 71
 info@thermod.se

Drawing name:
**PD, two sided cover (N1),
 mounting for panel 80mm**

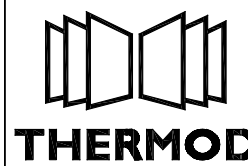
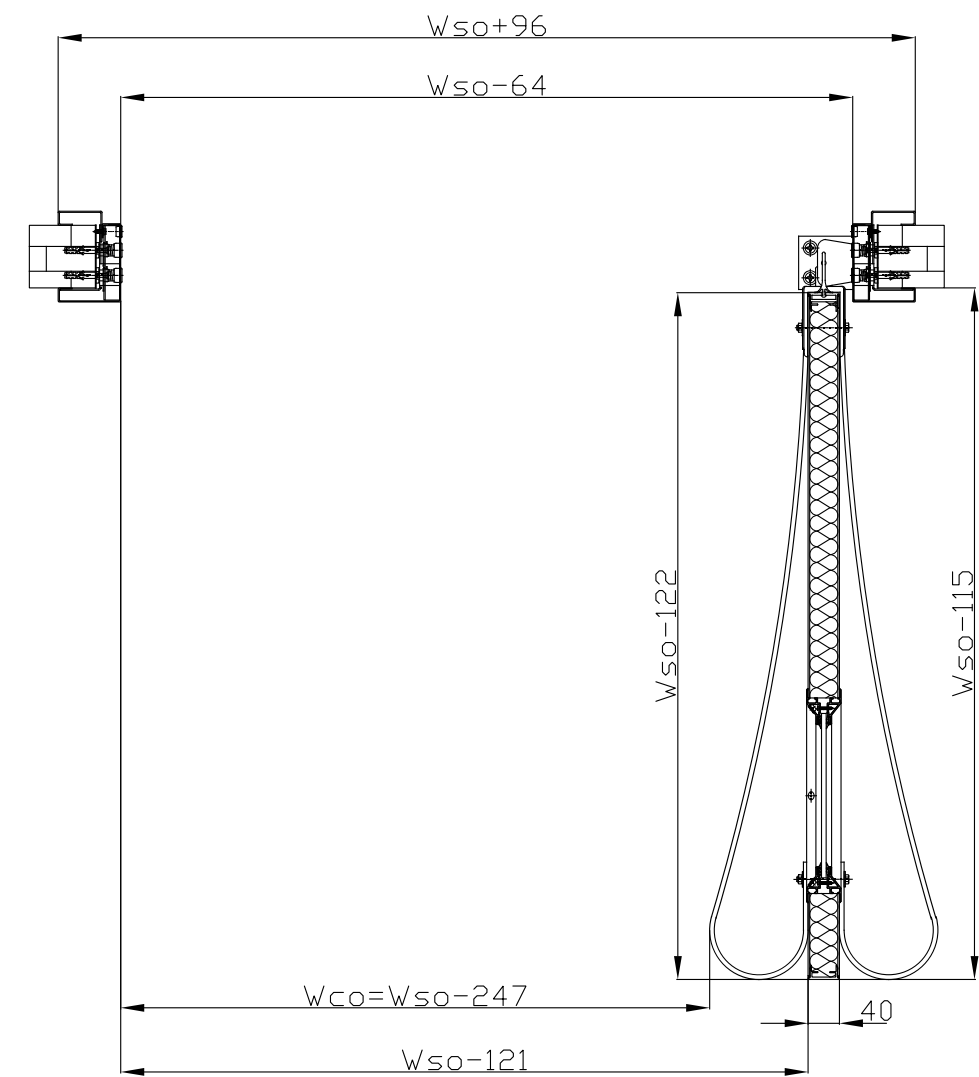
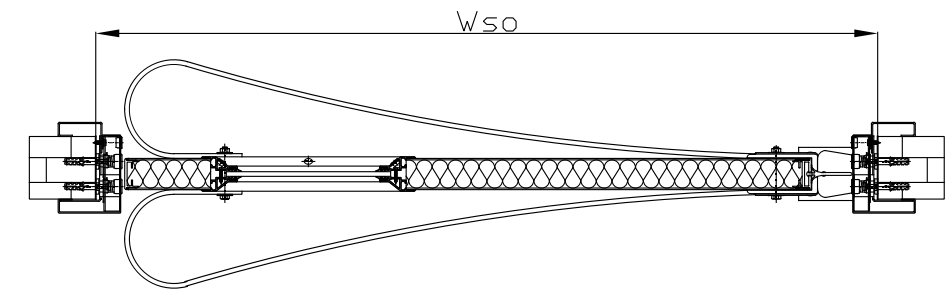
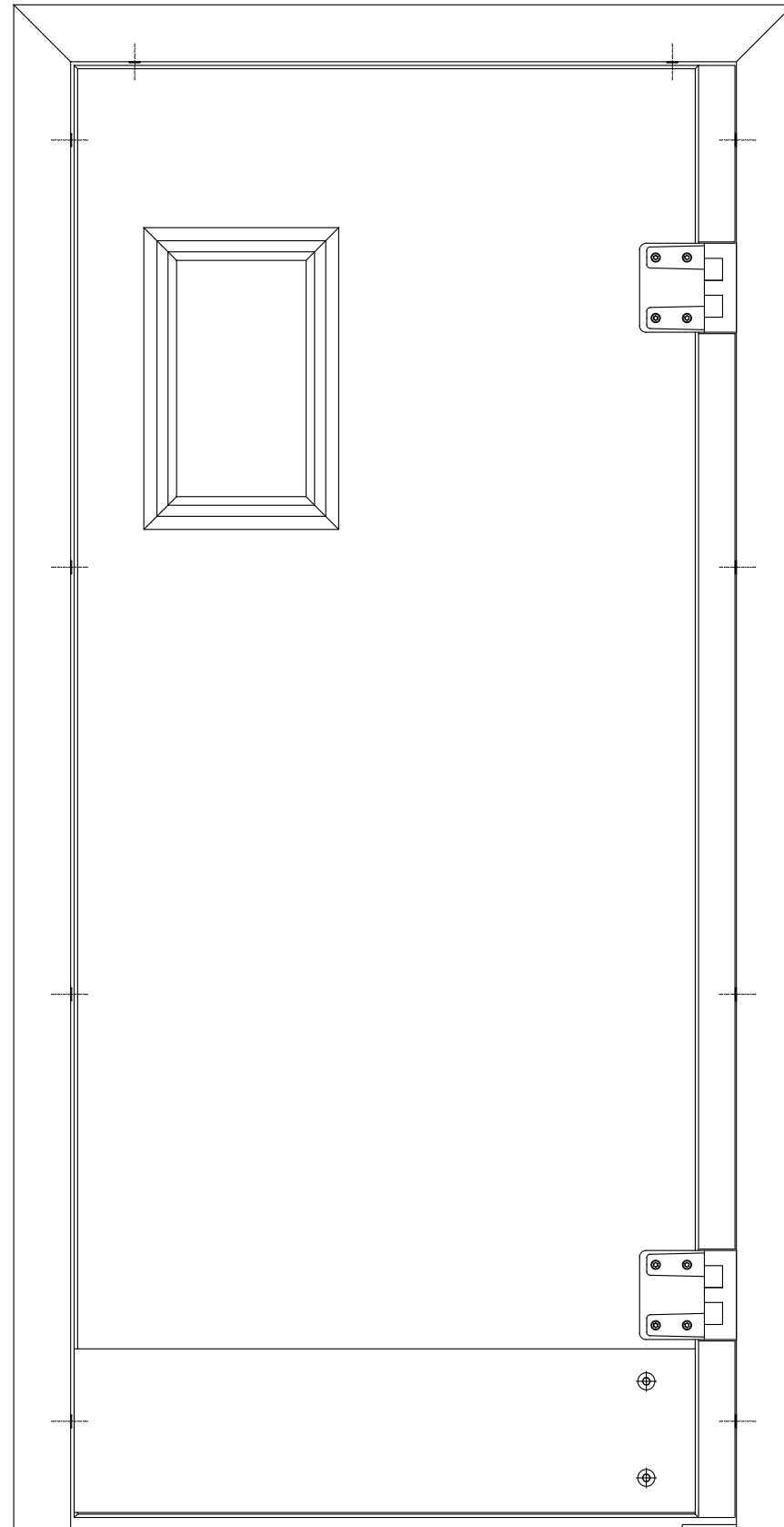
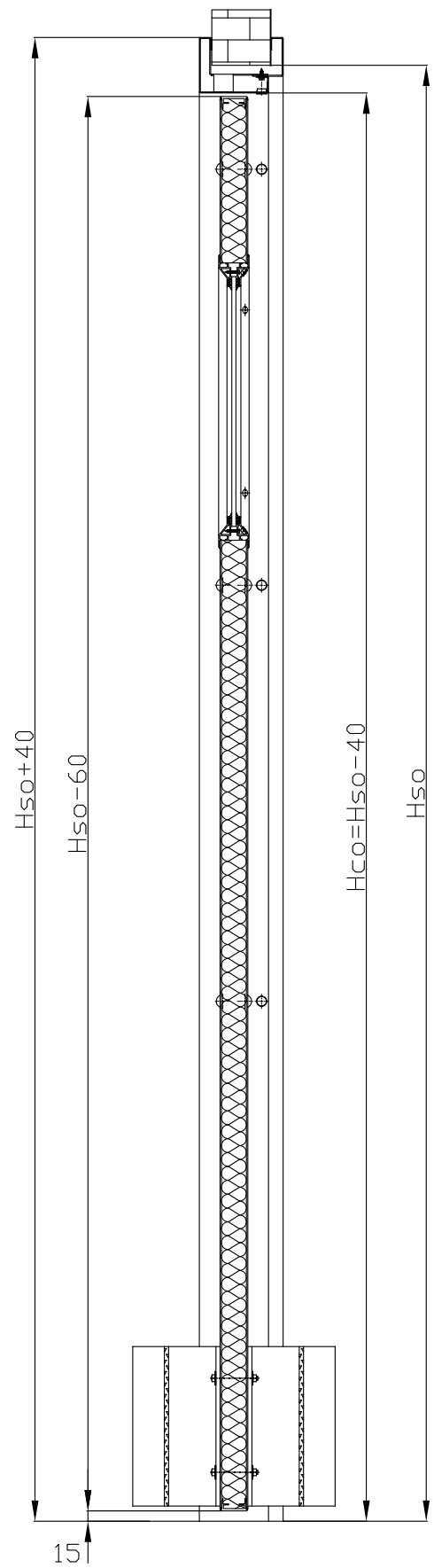
Date: 10-11-2011
 Drawn by: P.Batura
 Scale: 1:10

Drawing number:
040-014-00

Print format: A3
 Revision: 01

CHANGE HISTORY TABLE

No	Rev.	Modification description	Date	Initials
1.	01	Initial Release	06-10-2014	SK
2.				
3.				



Contact address:
THERMOD AB
 Söderborgsvägen 32
 SE-671 95 Klässbol, Sweden
 tel. (0)570 72 74 70
 fax. (0)570 72 74 71
 info@thermod.se

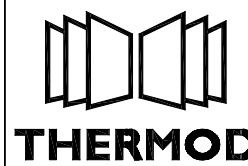
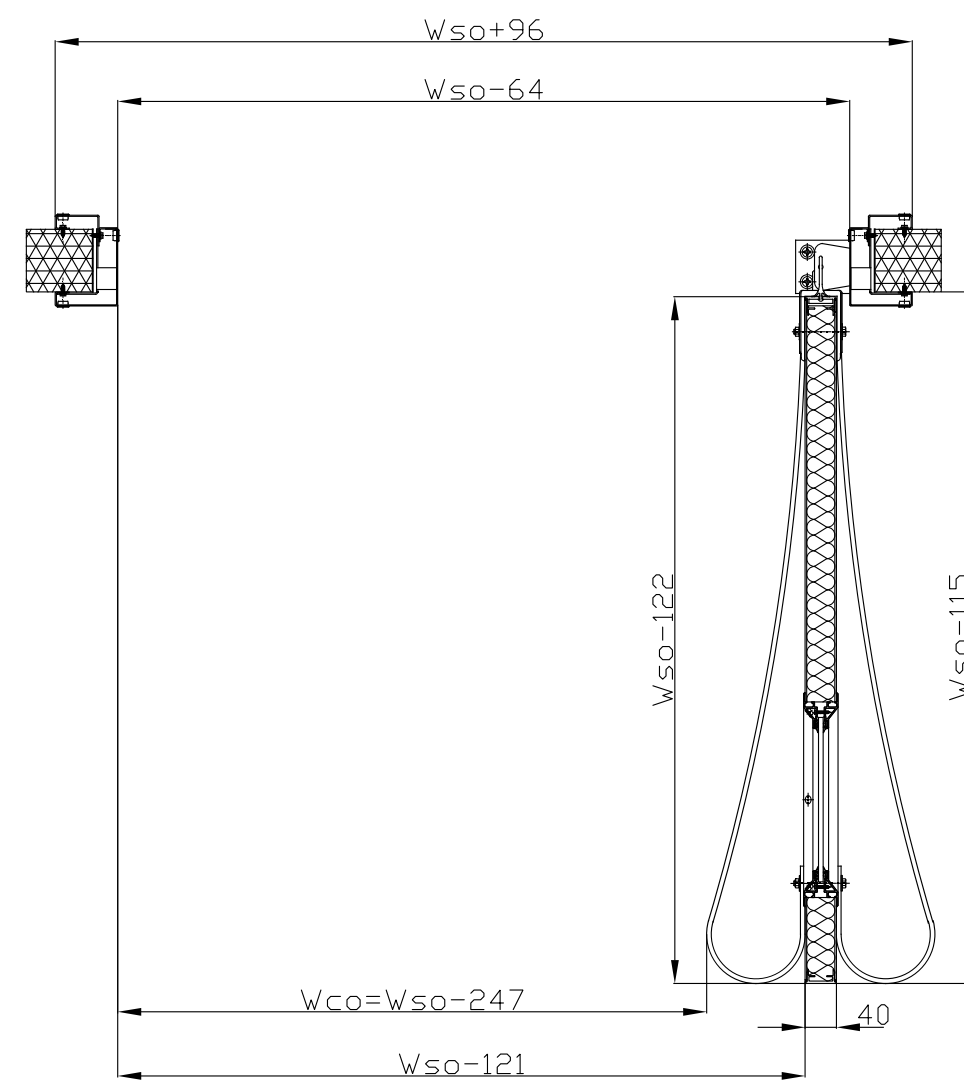
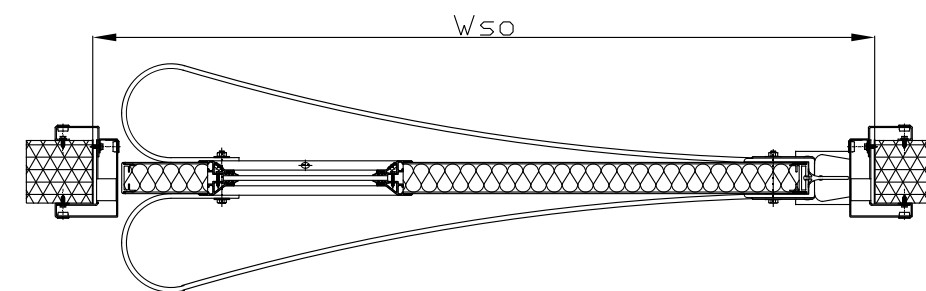
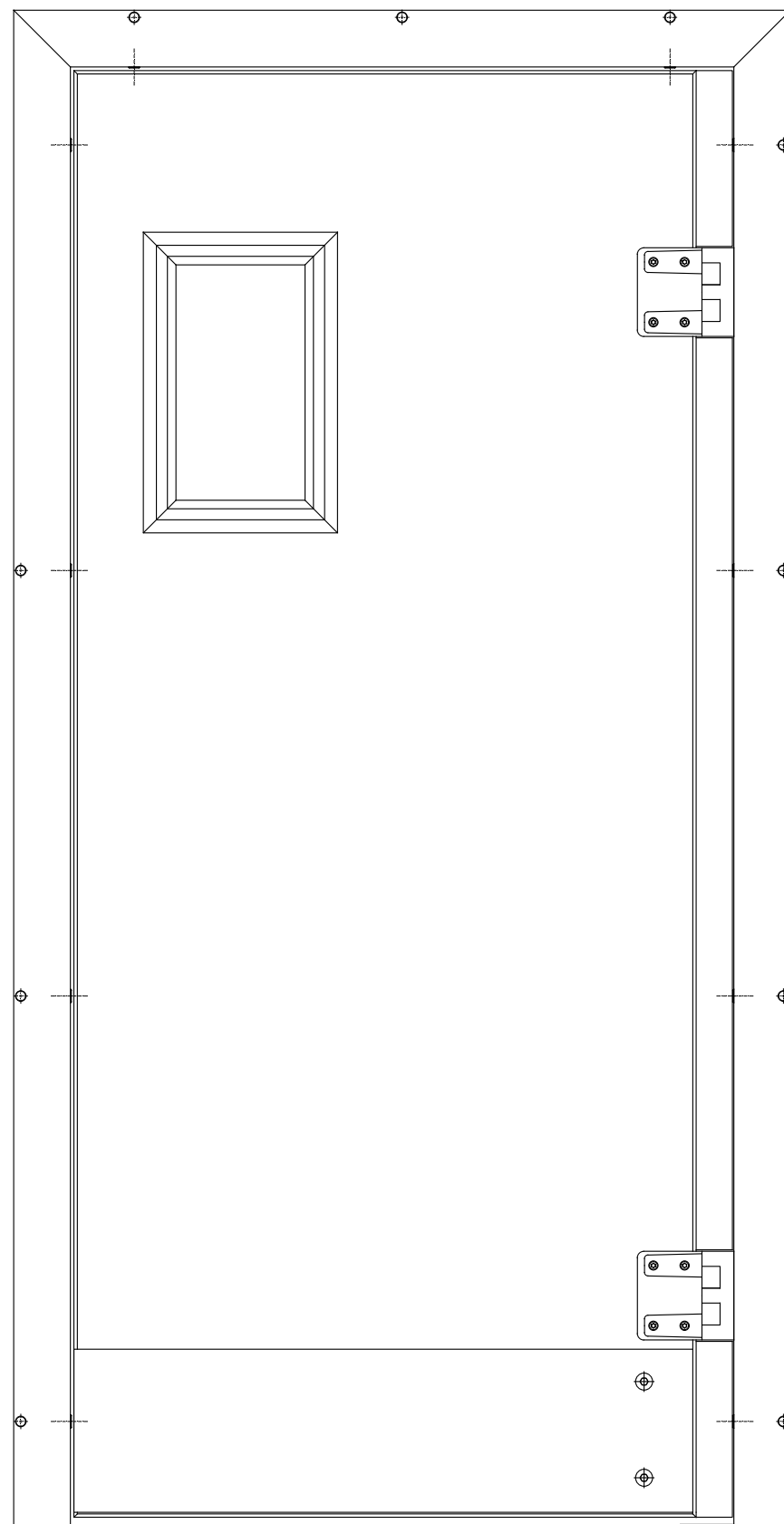
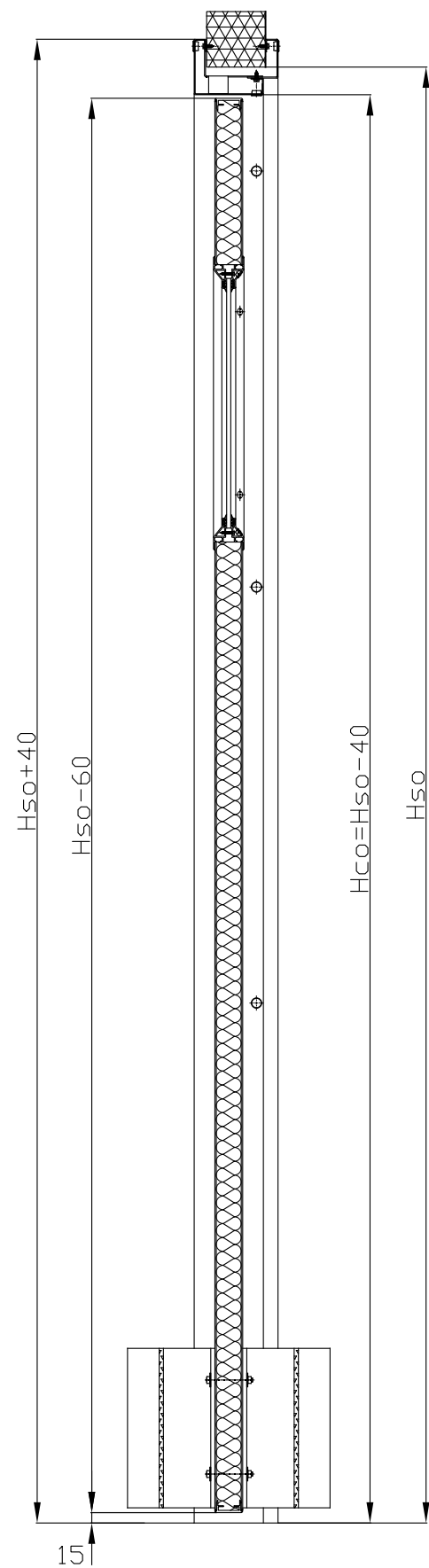
Drawing name:
**PD stainless steel frame,
 two sided cover,
 mounting for wall**

Date: 06-10-2014	Drawn by: S.Kogut	Scale: 1:10	Print format: A3	Revision: 01
----------------------------	-----------------------------	-----------------------	----------------------------	------------------------

Drawing number:

CHANGE HISTORY TABLE

No	Rev.	Modification description	Date	Initials
1.	01	Initial Release	06-10-2014	SK
2.				
3.				



Contact address:
THERMOD AB
 Söderborgsvägen 32
 SE-671 95 Klässbol, Sweden
 tel. (0)570 72 74 70
 fax. (0)570 72 74 71
 info@thermod.se

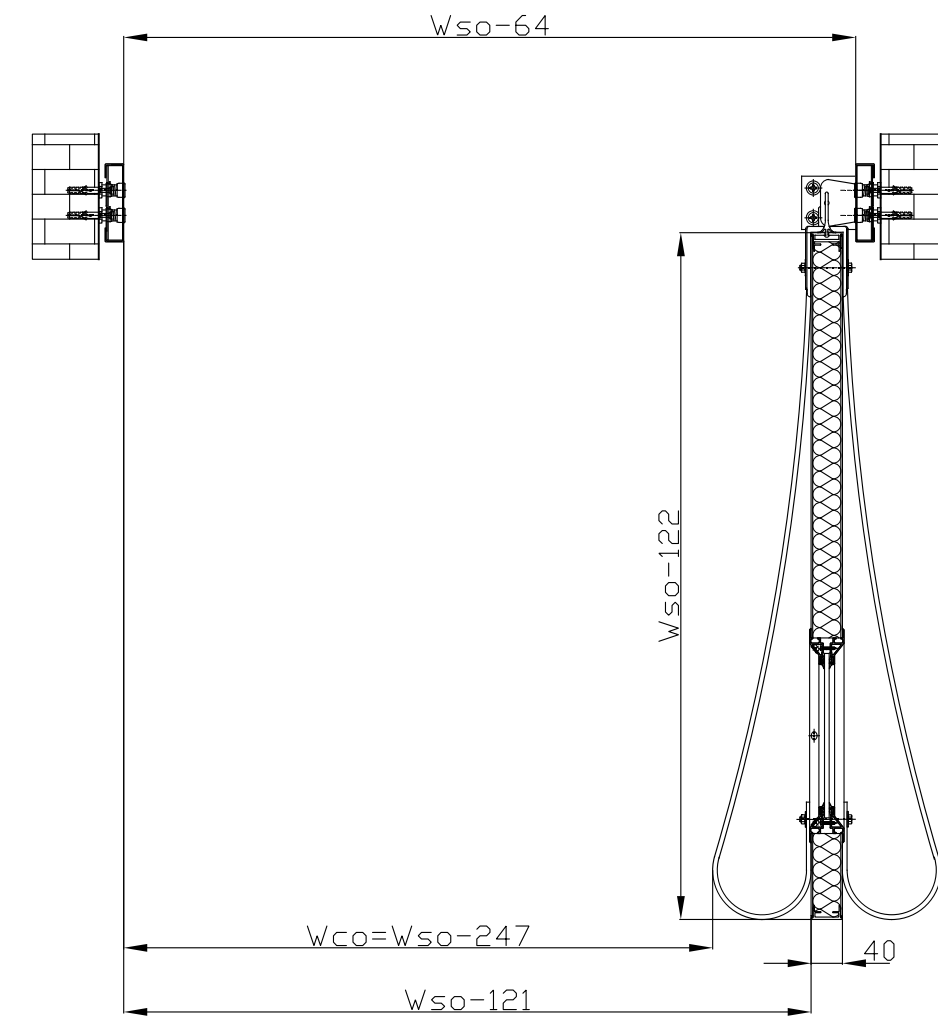
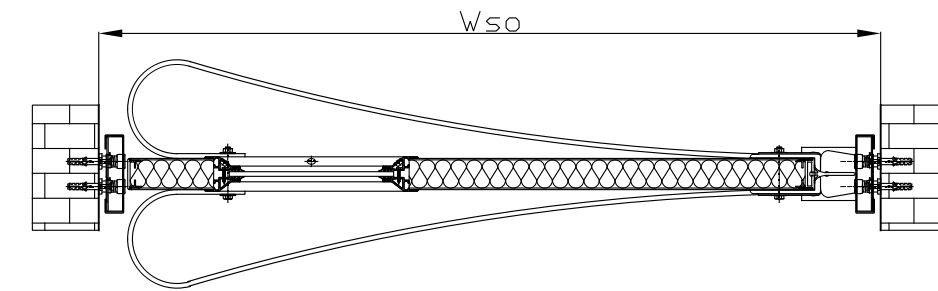
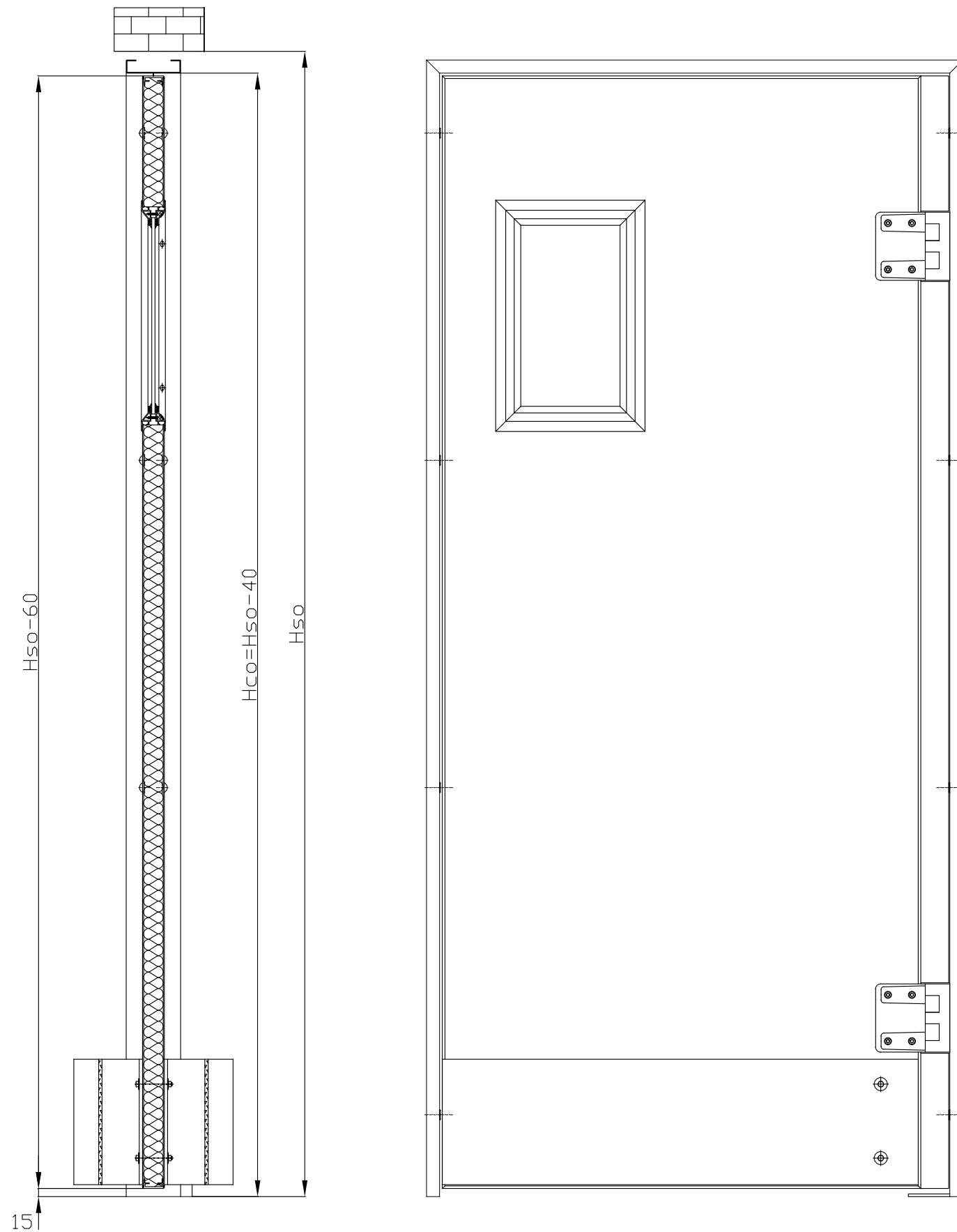
Drawing name:
**PD stainless steel frame,
 two sided cover,
 mounting for panel**


Drawing number:

Date: 06-10-2014	Drawn by: S.Kogut	Scale: 1:10	Print format: A3	Revision: 01
----------------------------	-----------------------------	-----------------------	----------------------------	------------------------

CHANGE HISTORY TABLE

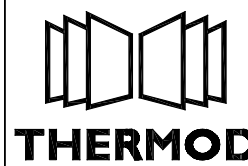
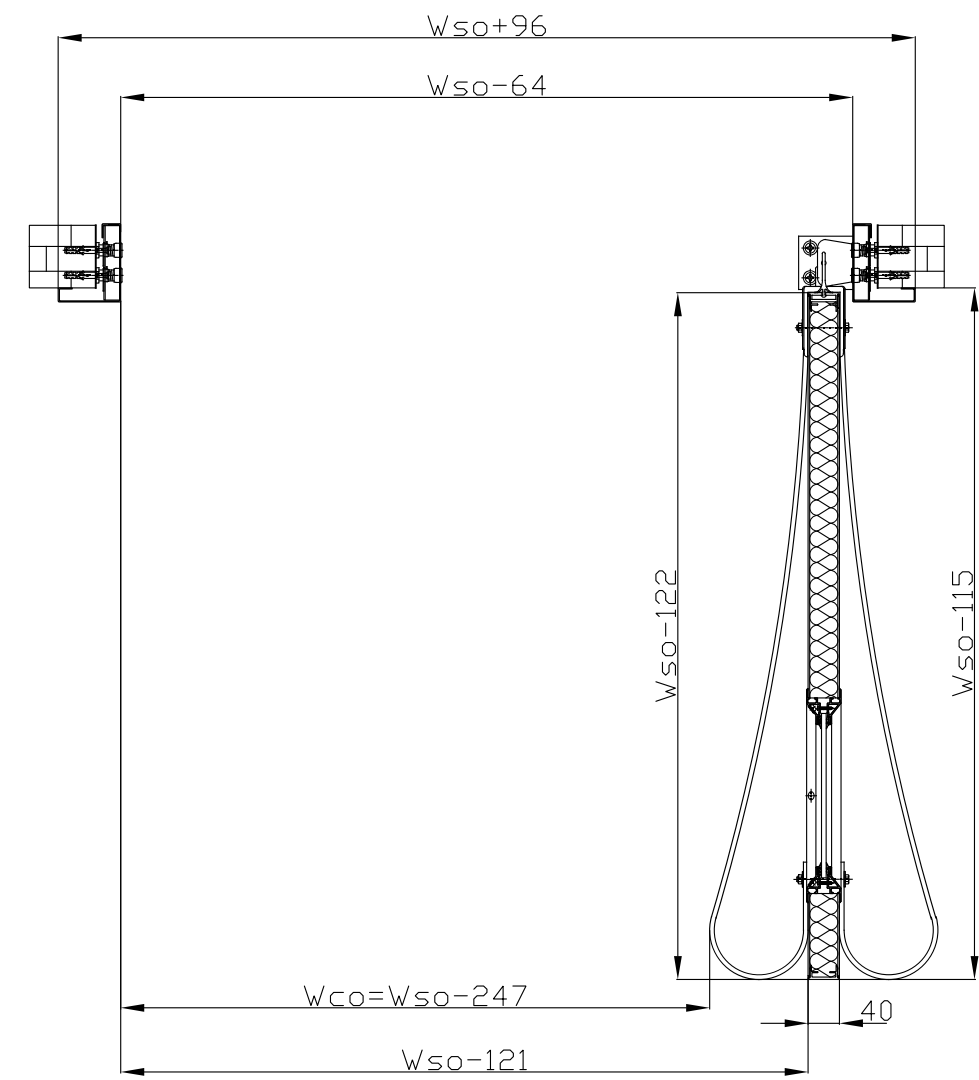
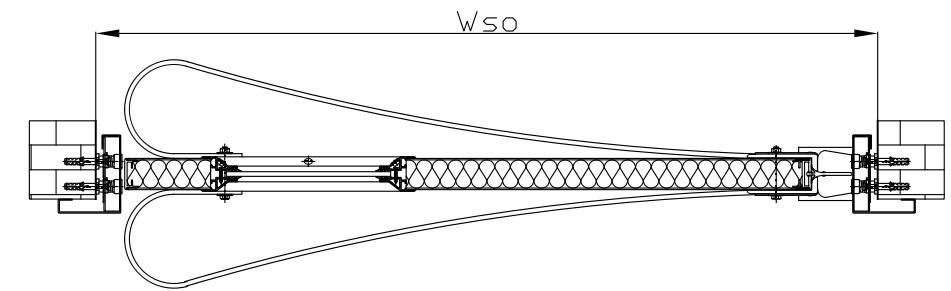
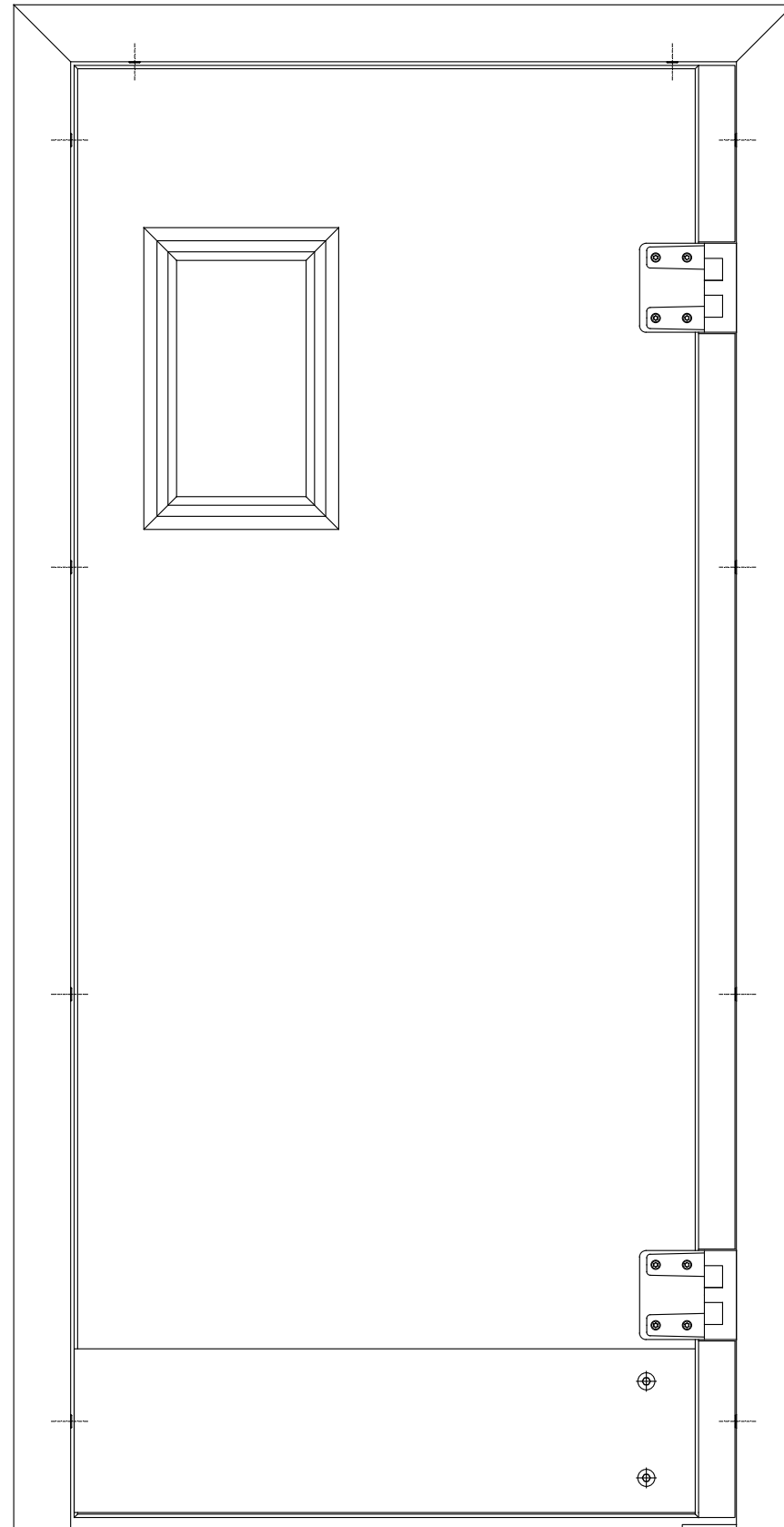
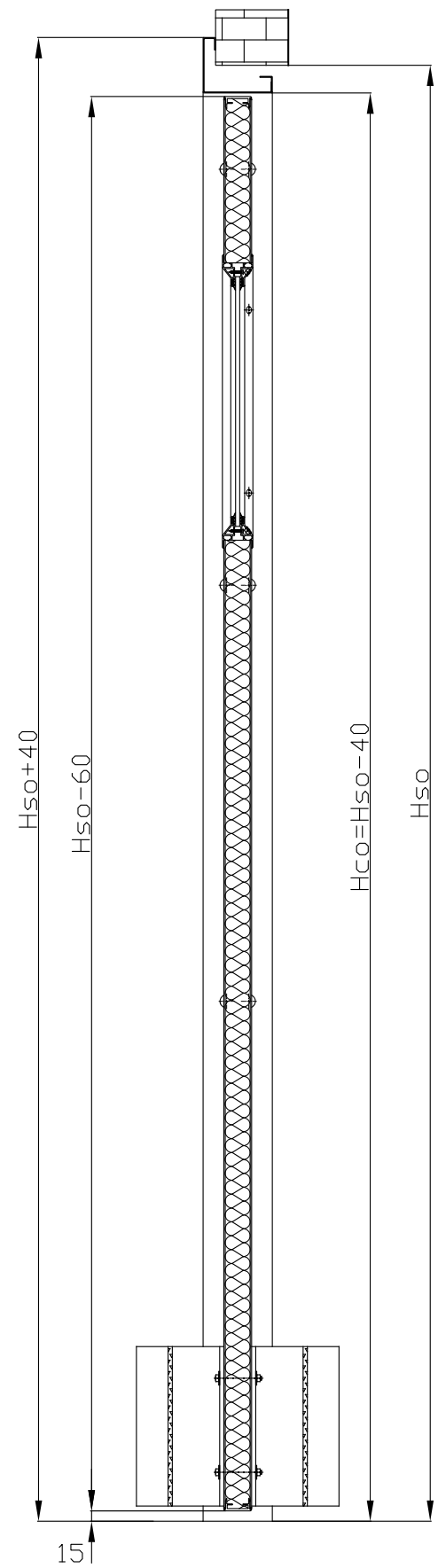
No	Rev.	Modification description	Date	Initials
1.	01	Initial Release	05-11-2014	SK
2.				
3.				



	Contact address: THERMOD AB Söderborgsvägen 32 SE-671 95 Klässbol, Sweden tel. (0)570 72 74 70 fax. (0)570 72 74 71 info@thermod.se	Drawing name: PD stainless steel frame, without cover, mounting for wall		Drawing number:	
		Date: 05-11-2014	Drawn by: S.Kogut	Scale: 1:10	Print format: A3

CHANGE HISTORY TABLE

No	Rev.	Modification description	Date	Initials
1.	01	Initial Release	06-10-2014	SK
2.				
3.				



Contact address:
THERMOD AB
 Söderborgsvägen 32
 SE-671 95 Klässbol, Sweden
 tel. (0)570 72 74 70
 fax. (0)570 72 74 71
 info@thermod.se

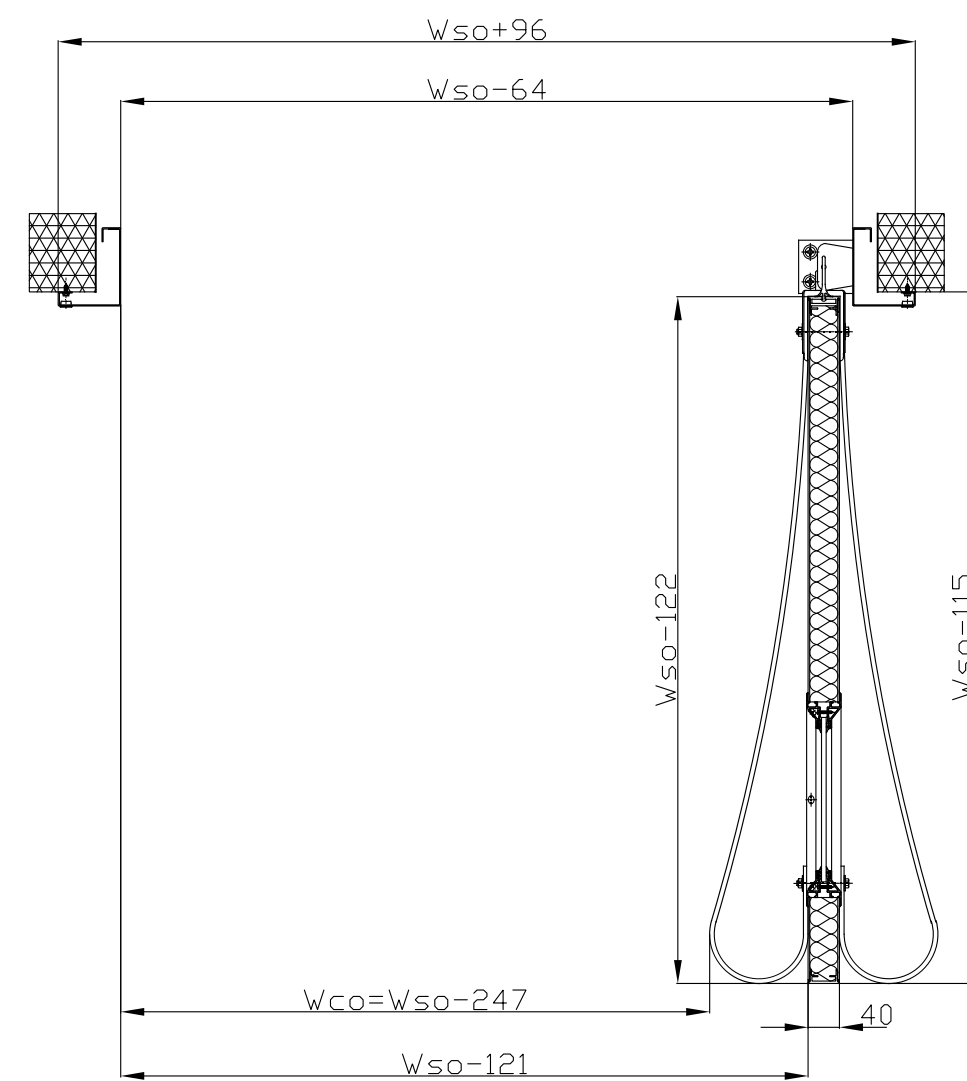
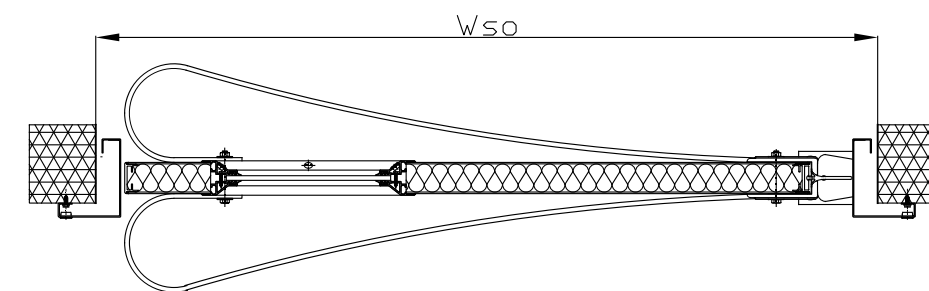
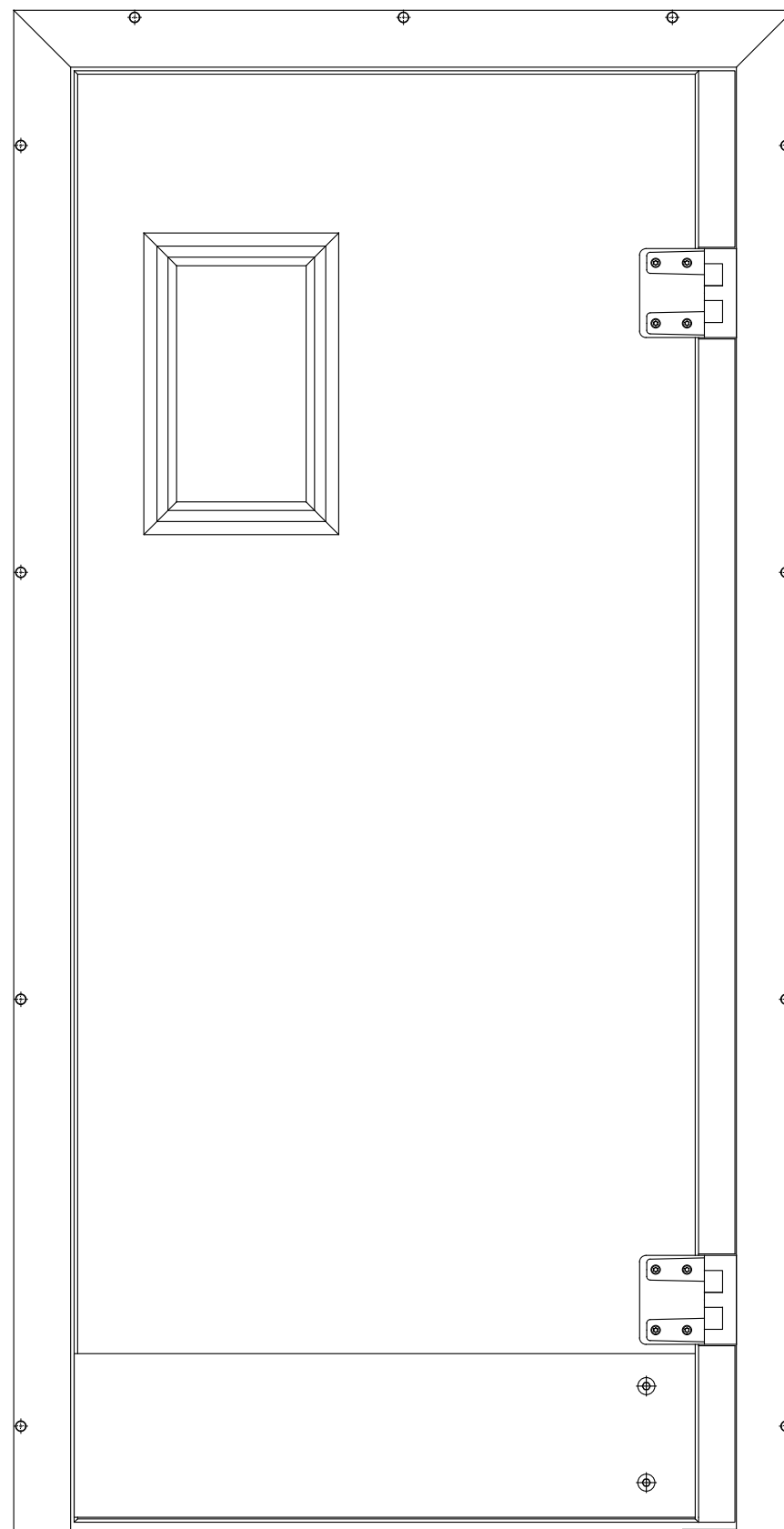
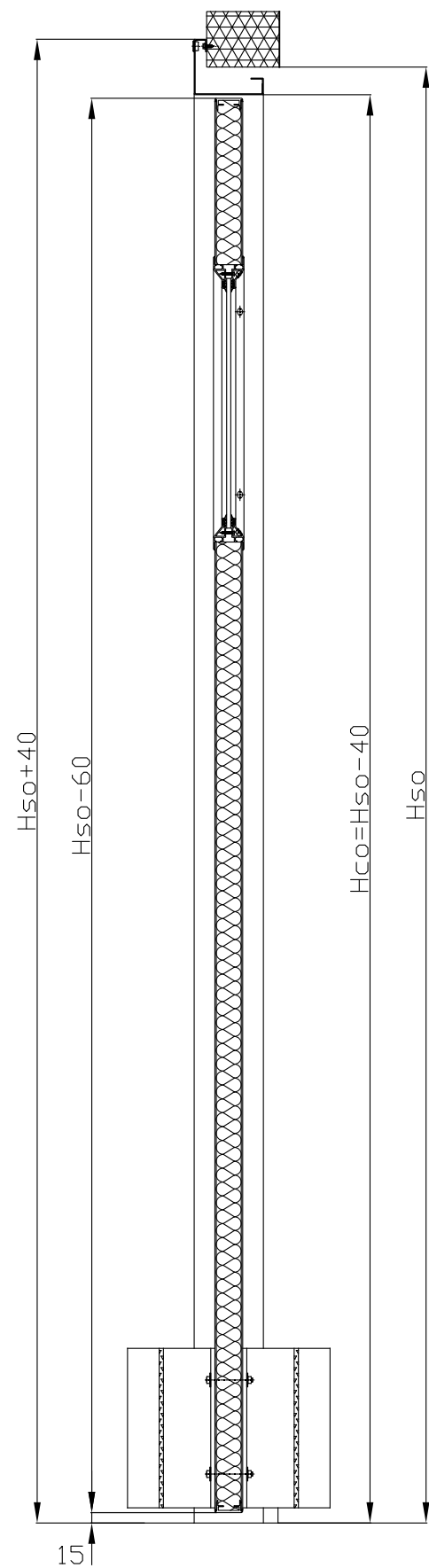
Drawing name:
**PD stainless steel frame,
 one sided cover,
 mounting for wall**

Date: 06-10-2014	Drawn by: S.Kogut	Scale: 1:10	Print format: A3	Revision: 01
----------------------------	-----------------------------	-----------------------	----------------------------	------------------------

Drawing number:

CHANGE HISTORY TABLE

No	Rev.	Modification description	Date	Initials
1.	01	Initial Release	06-10-2014	SK
2.				
3.				



Contact address:
THERMOD AB
 Söderborgsvägen 32
 SE-671 95 Klässbol, Sweden
 tel. (0)570 72 74 70
 fax. (0)570 72 74 71
 info@thermod.se

Drawing name:
**PD stainless steel frame,
 one sided cover,
 mounting for panel**

Drawing number:

Date:
06-10-2014

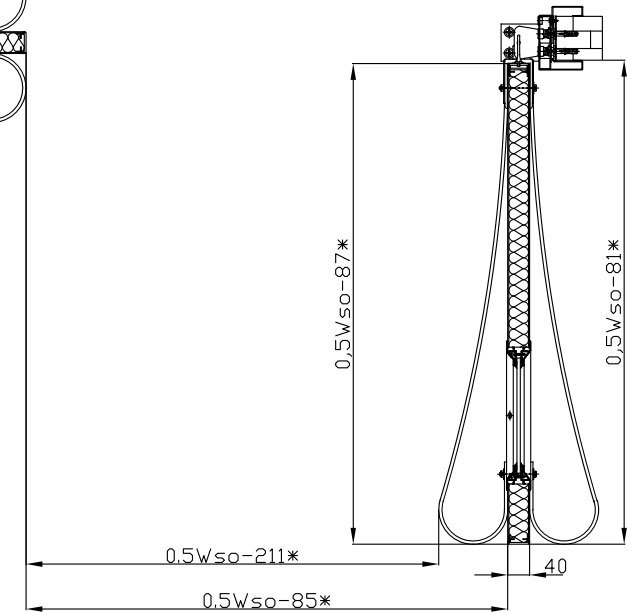
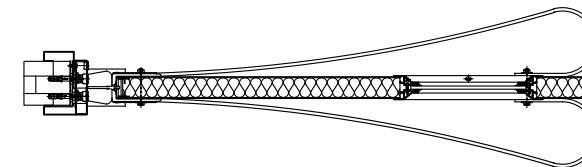
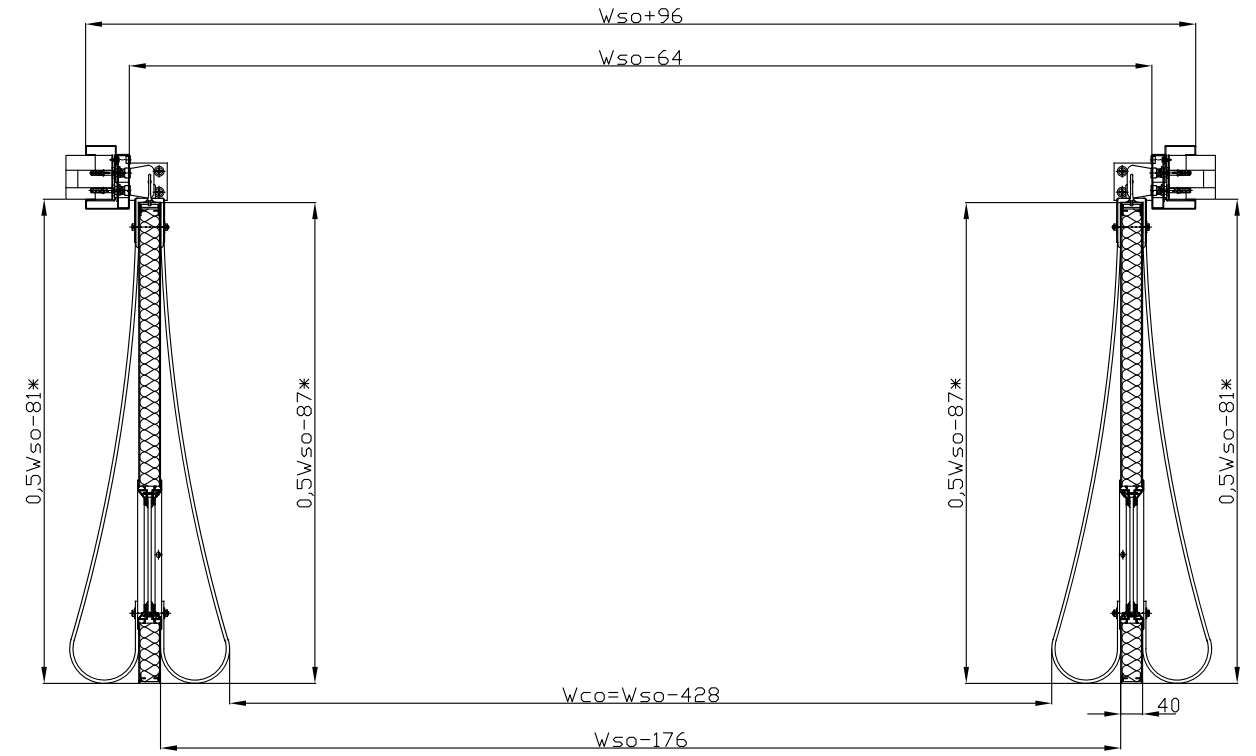
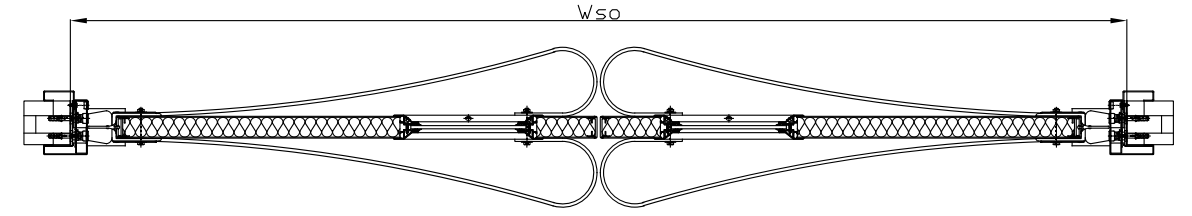
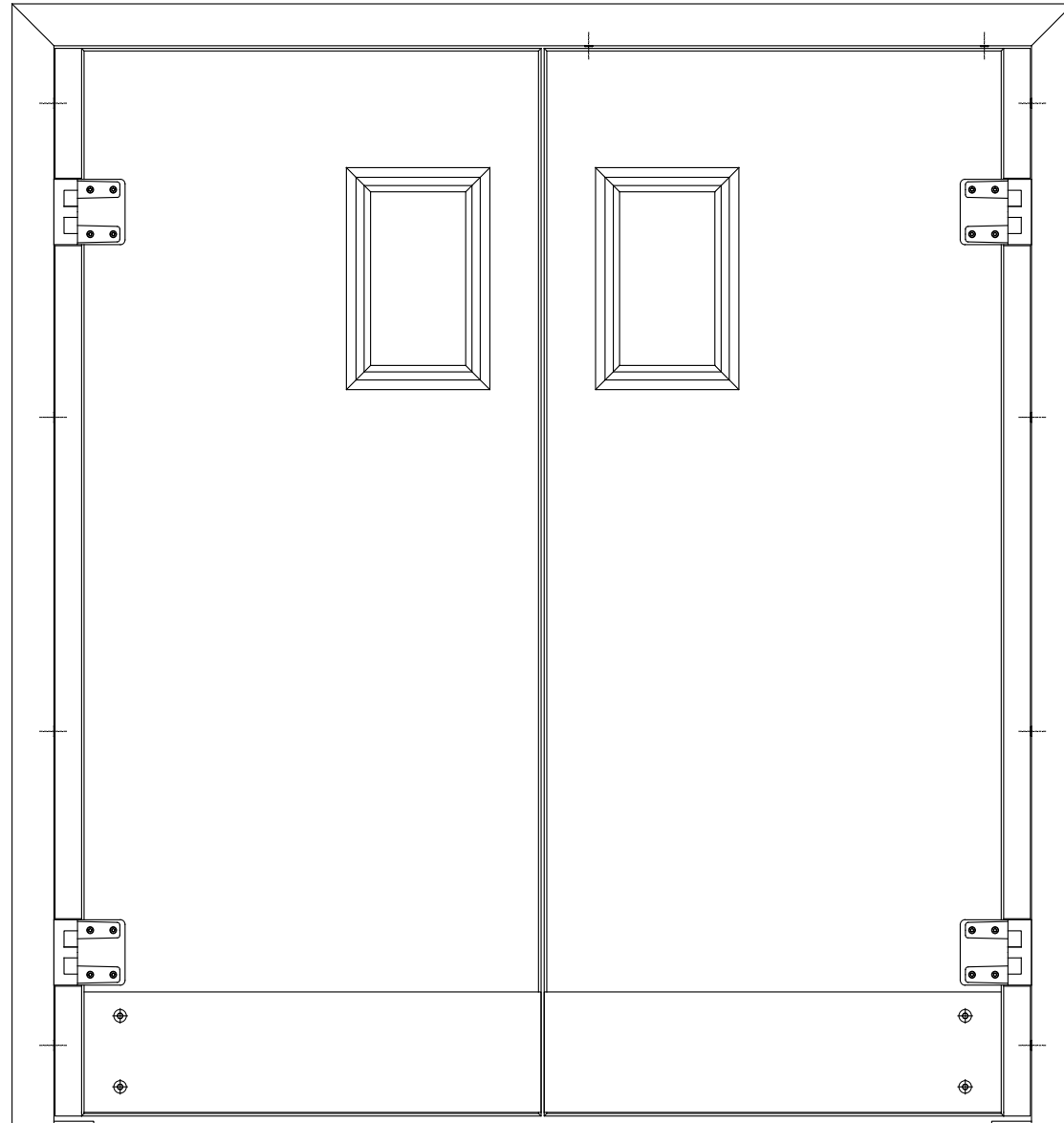
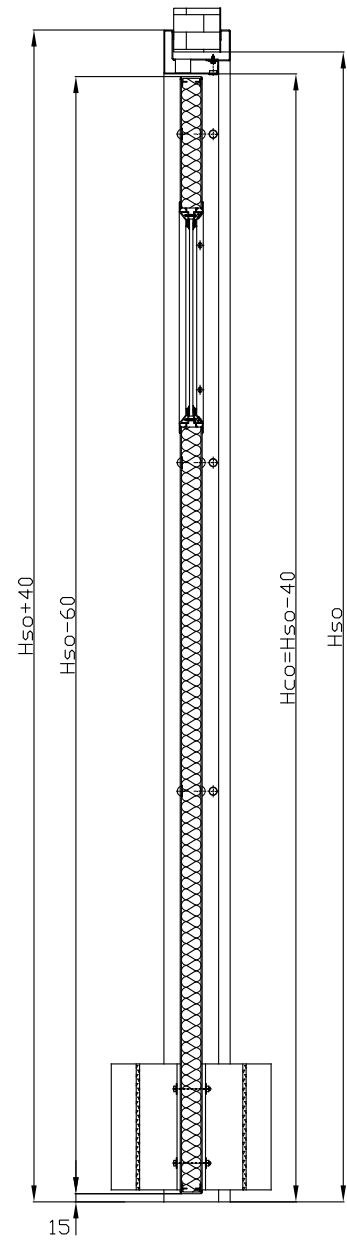
Drawn by:
S.Kogut

Scale:
1:10

Print format:
A3

Revision:
01

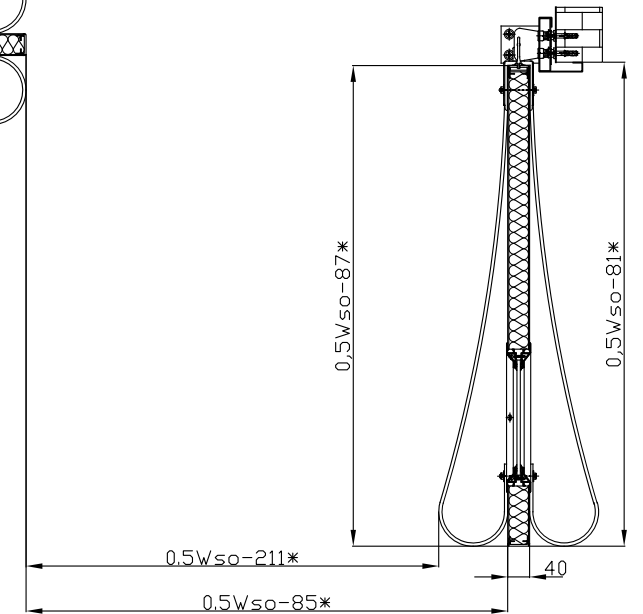
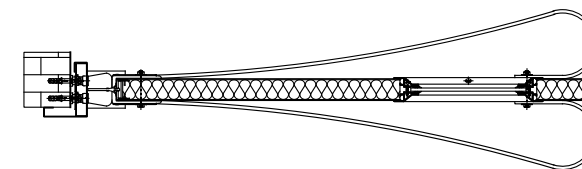
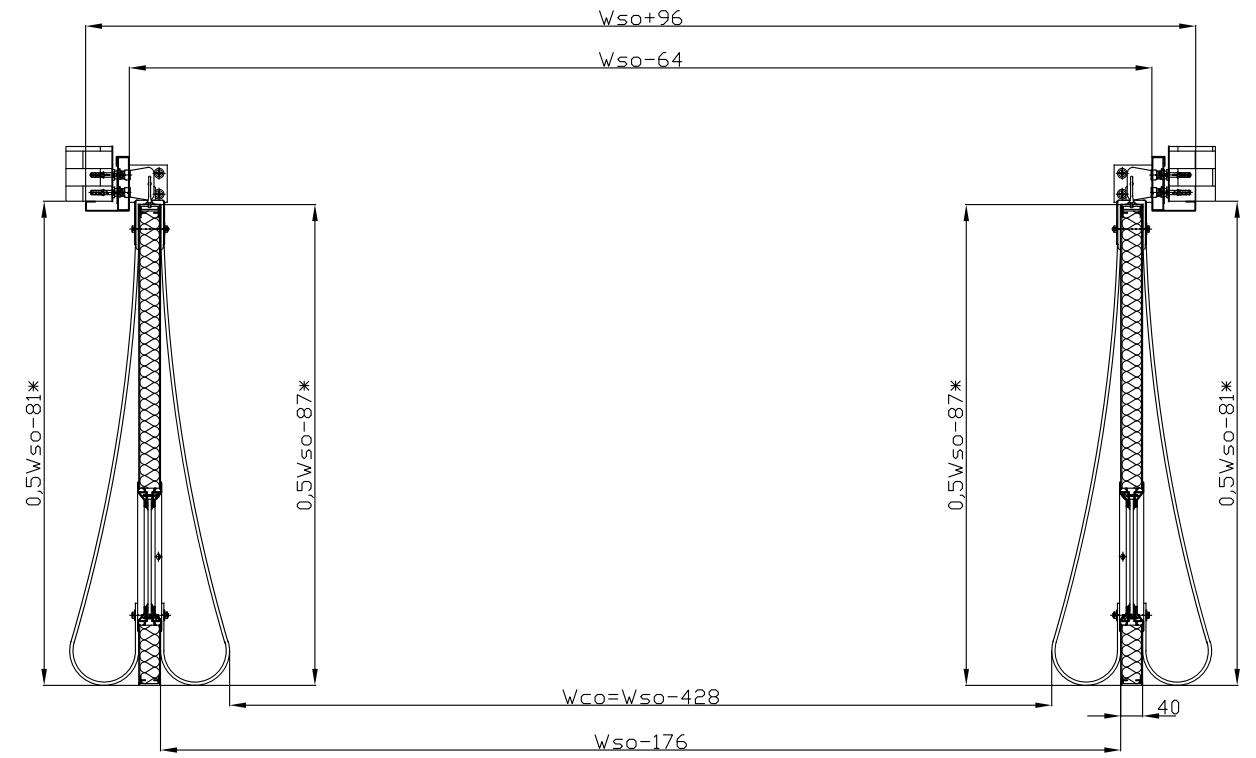
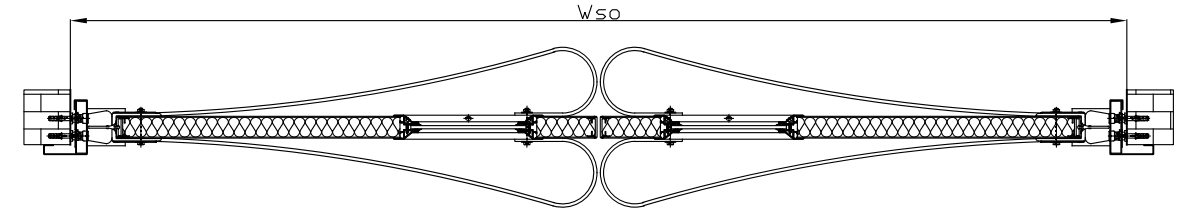
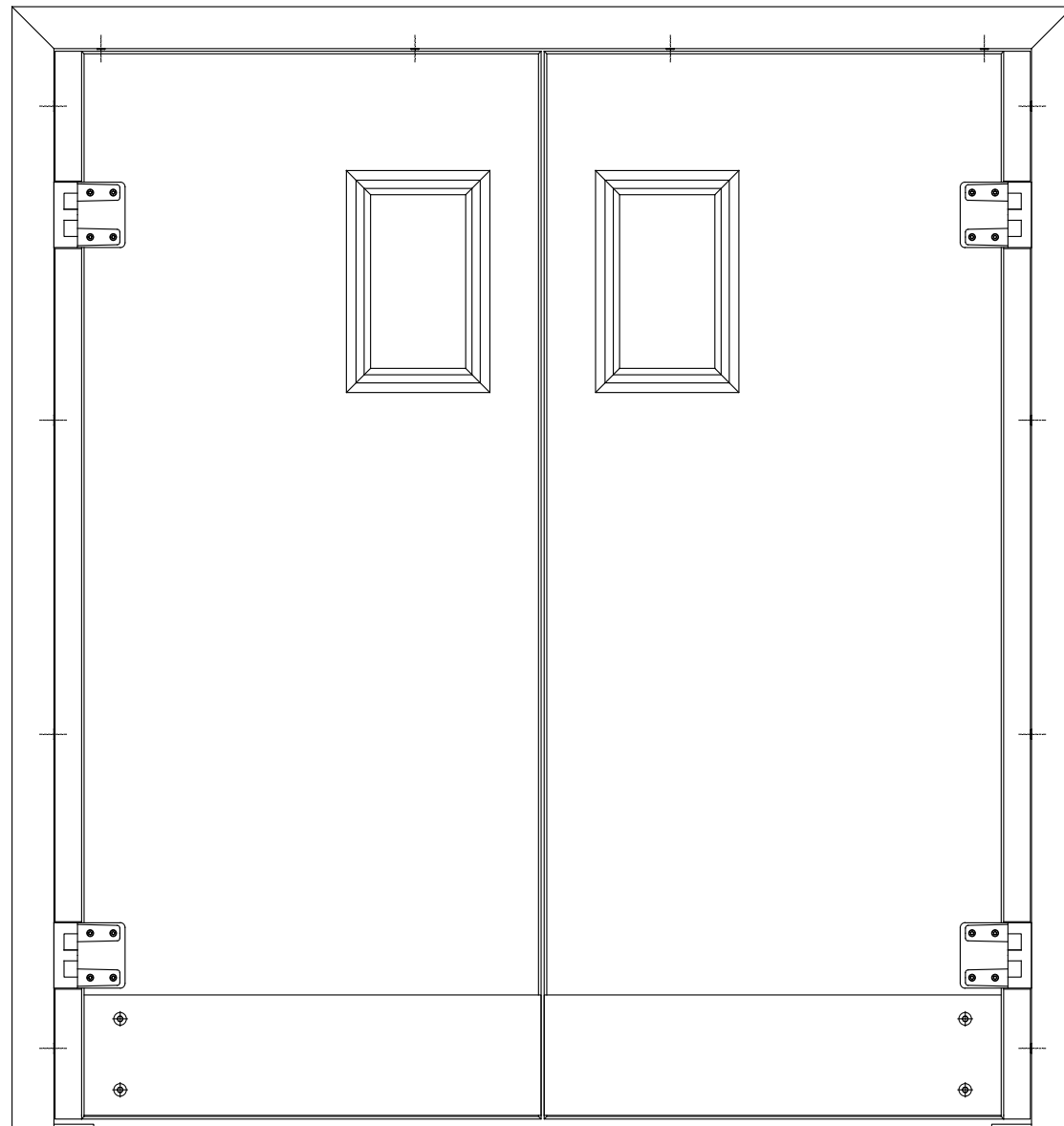
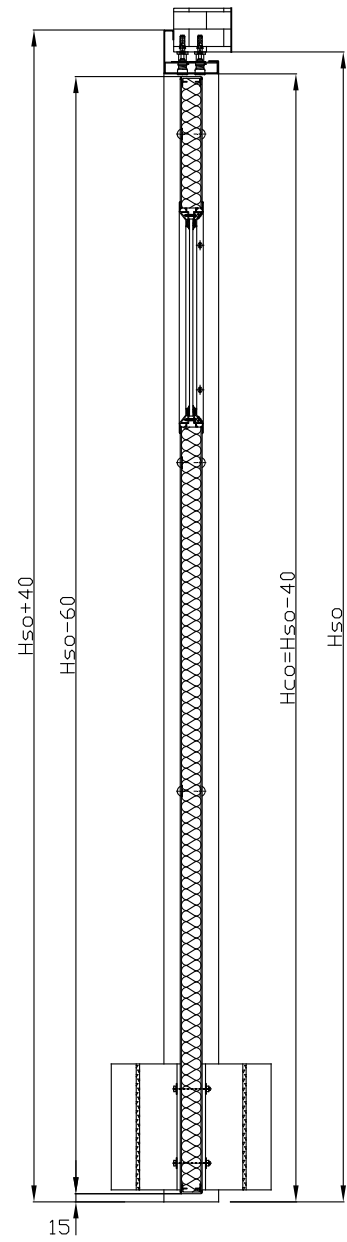
CHANGE HISTORY TABLE			Date	Initials
No	Rev.	Modification description		
1.	01	Initial Release	06-10-2014	SK
2.				
3.				



* formula valid only for symmetrical leaves

	Contact address:	Drawing name:		Drawing number:	
	THERMOD AB Söderborgsvägen 32 SE-671 95 Klässbol, Sweden tel. (0)570 72 74 70 fax. (0)570 72 74 71 info@thermod.se	PDD stainless frame, two sided cover, mounting for wall			
Date:	Scale:	Drawn by:	Print format:	Revision:	
06.10.2014.	1:10	S.Kogut	A2	01	

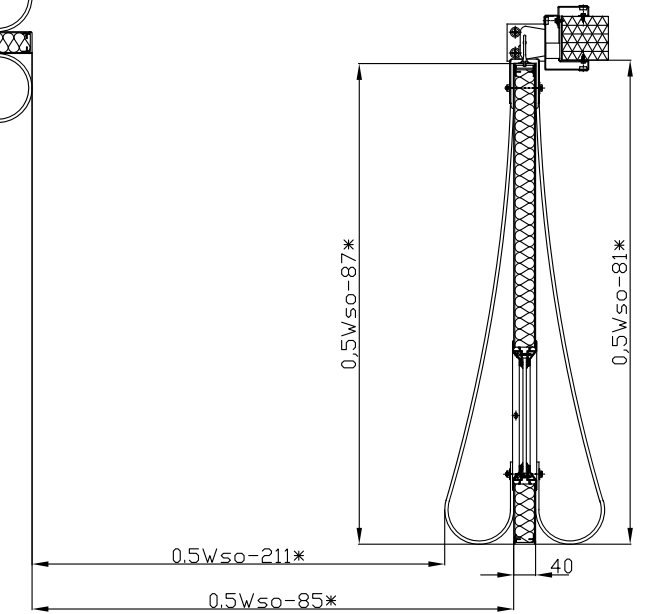
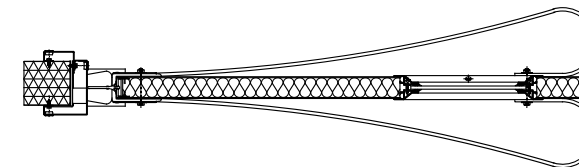
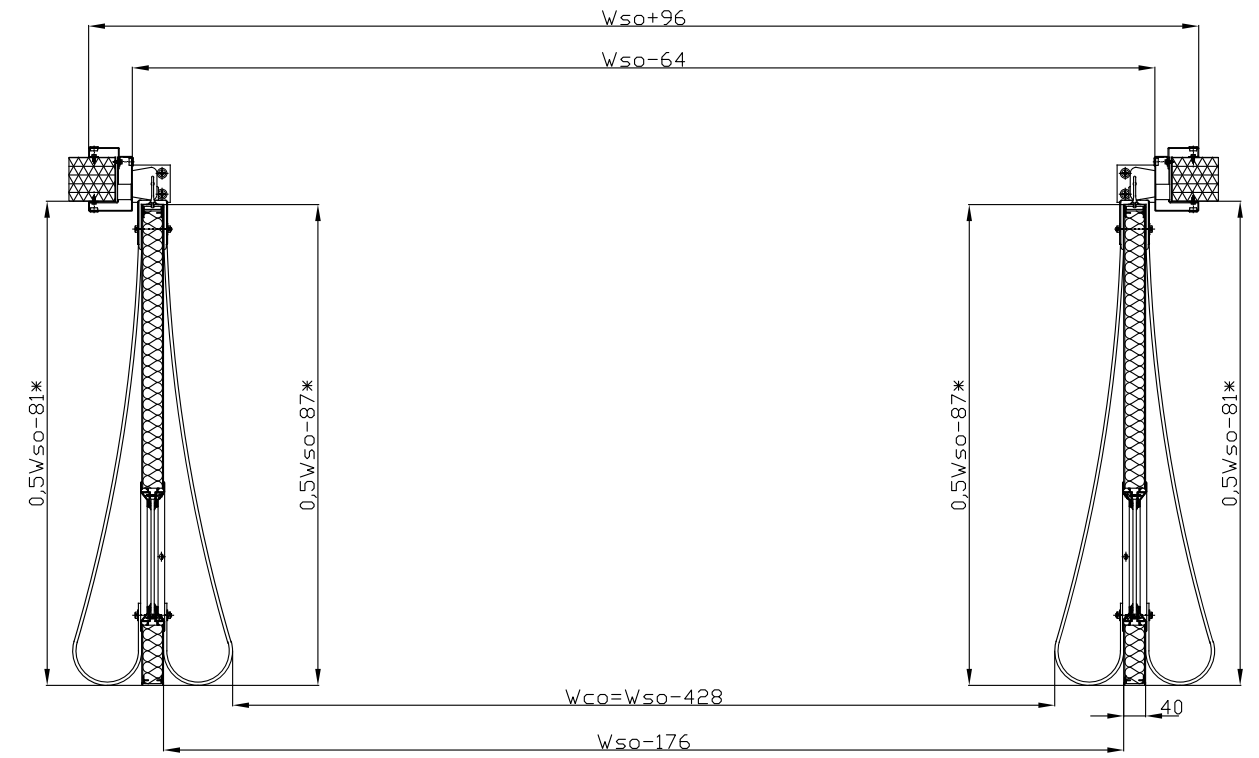
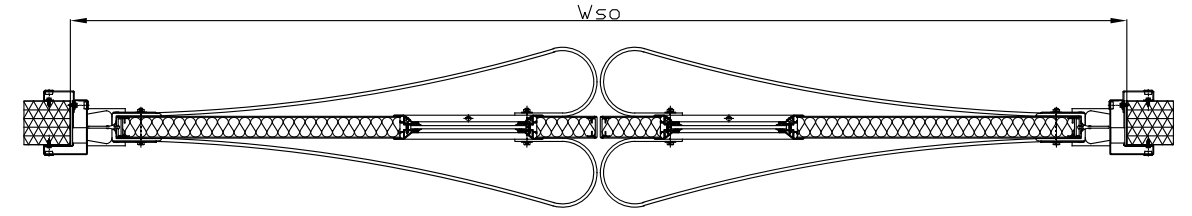
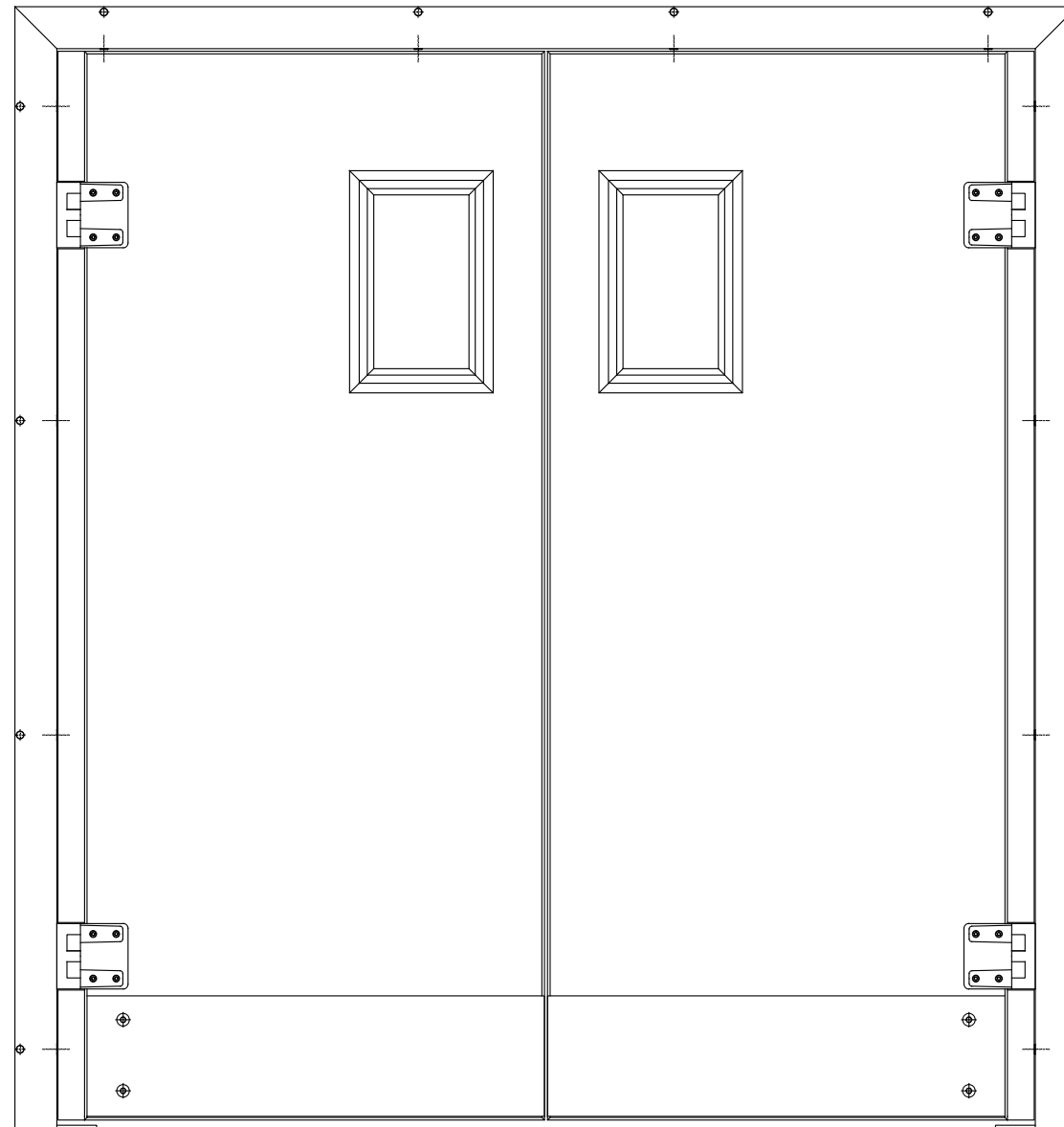
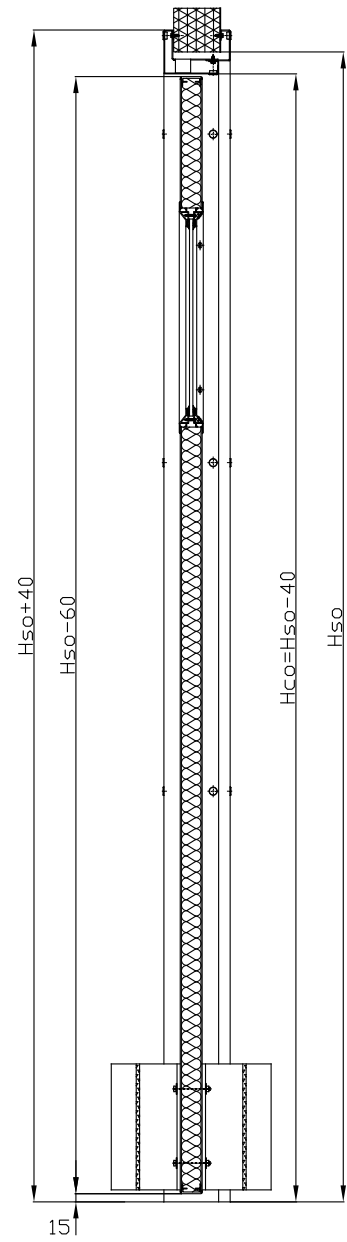
CHANGE HISTORY TABLE			Date	Initials
No	Rev.	Modification description		
1.	01	Initial Release	06-10-2014	SK
2.				
3.				



* formula valid only for symmetrical leaves

	Contact address:	Drawing name:		Drawing number:	
	THERMOD AB Söderborgsvägen 32 SE-671 95 Klässbol, Sweden tel. (0)570 72 74 70 fax. (0)570 72 74 71 info@thermod.se	PDD stainless frame, one sided cover, mounting for wall			
Date:	Scale:	Print format:	Revision:		
06.10.2014.	S.Kogut	1:10	A2	01	

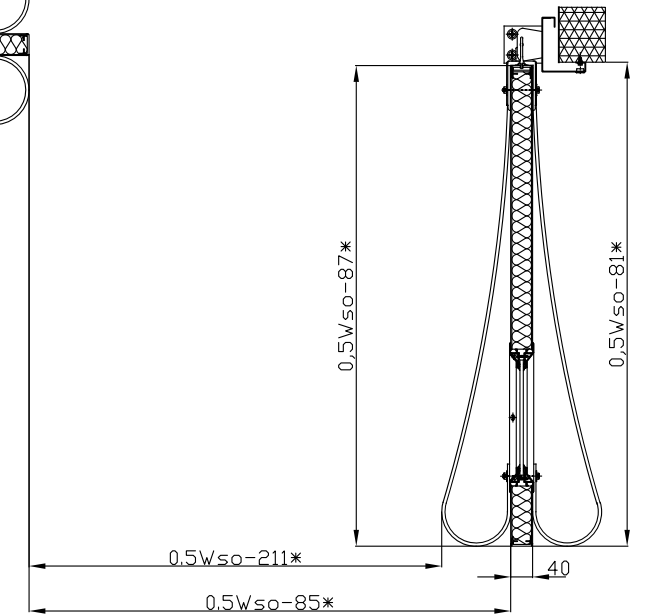
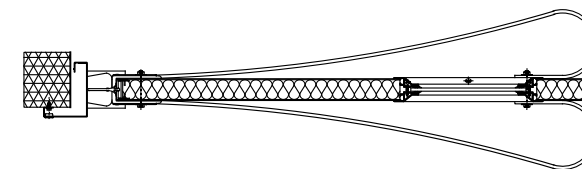
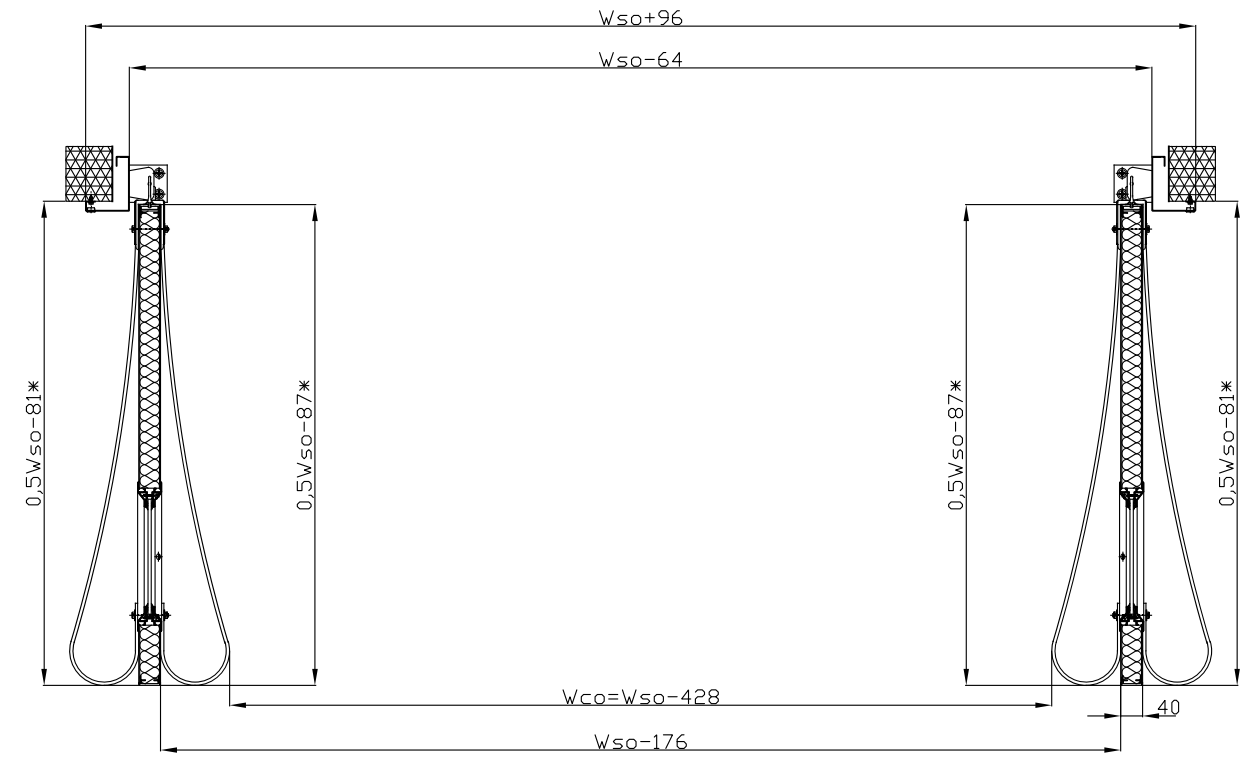
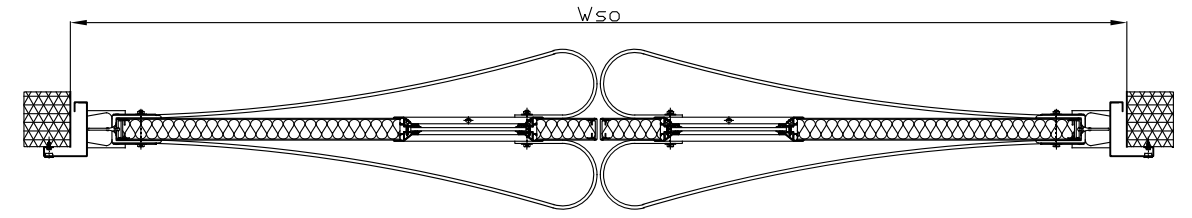
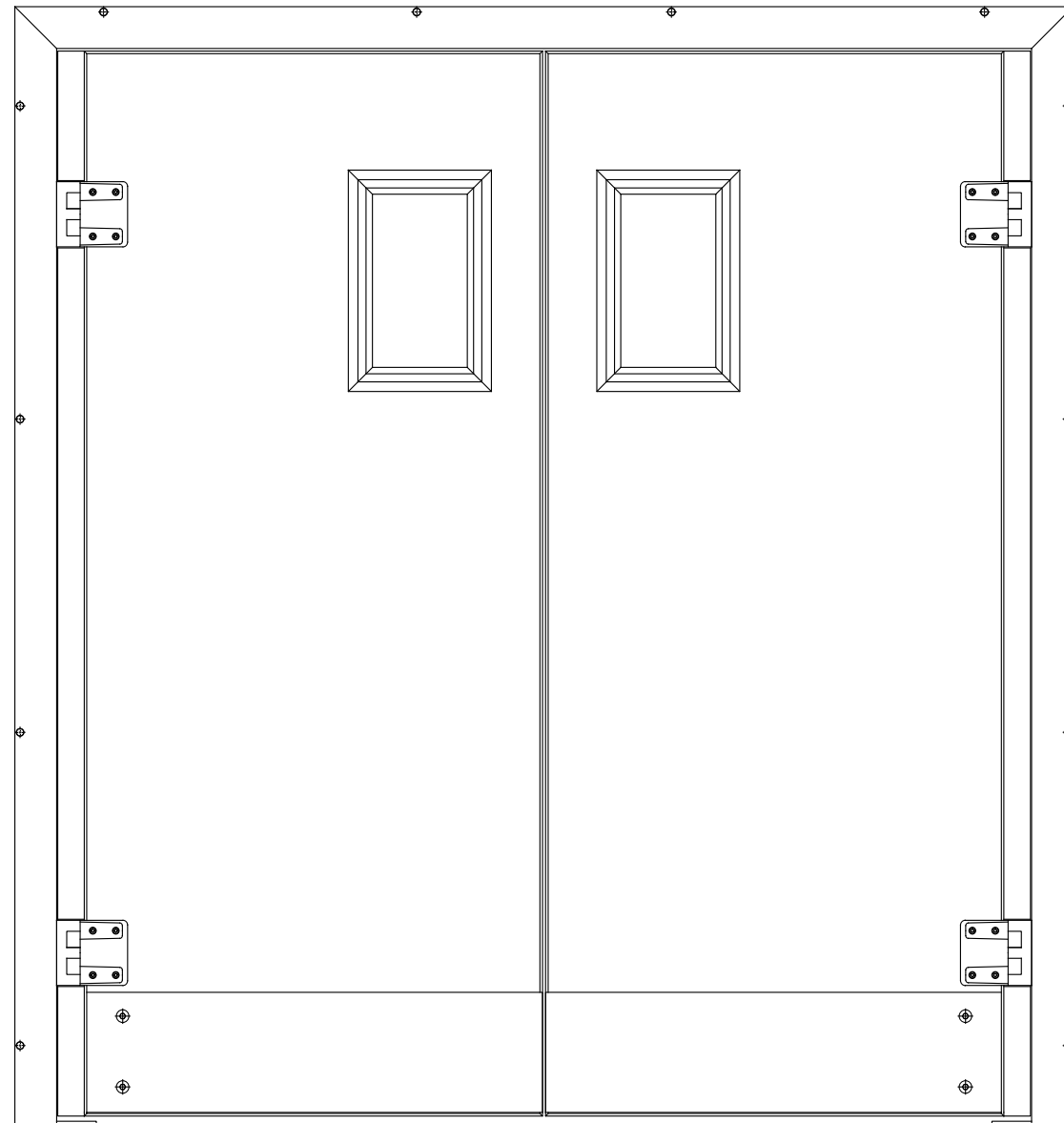
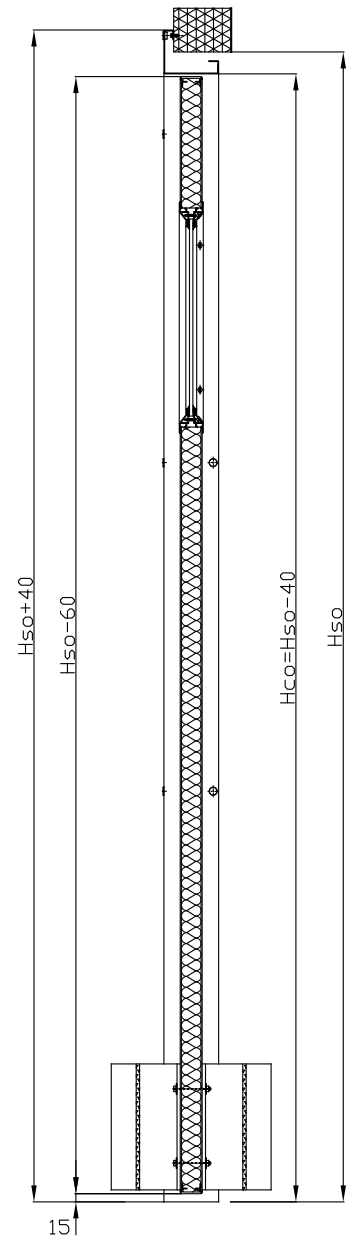
CHANGE HISTORY TABLE			Date	Initials
No	Rev.	Modification description		
1.	01	Initial Release	06-10-2014	SK
2.				
3.				



* formula valid only for symmetrical leaves

	Contact address:	Drawing name:		Drawing number:	
	THERMOD AB Söderborgsvägen 32 SE-671 95 Klässbol, Sweden tel. (0)570 72 74 70 fax. (0)570 72 74 71 info@thermod.se	PDD stainless frame, two sided cover, mounting for panel			
Date:	Scale:	Print format:	Revision:		
06.10.2014.	S.Kogut	1:10	A2	01	

CHANGE HISTORY TABLE			Date	Initials
No	Rev.	Modification description		
1.	01	Initial Release	06-10-2014	SK
2.				
3.				



* formula valid only for symmetrical leaves

	Contact address: THERMOD AB Söderborgsvägen 32 SE-671 95 Klässbol, Sweden tel. (0)570 72 74 70 fax. (0)570 72 74 71 info@thermod.se	Drawing name: PDD stainless frame, one sided cover, mounting for panel		Drawing number:	
		Date: 06.10.2014.	Drawn by: S.Kogut	Scale: 1:10	Print format: A2