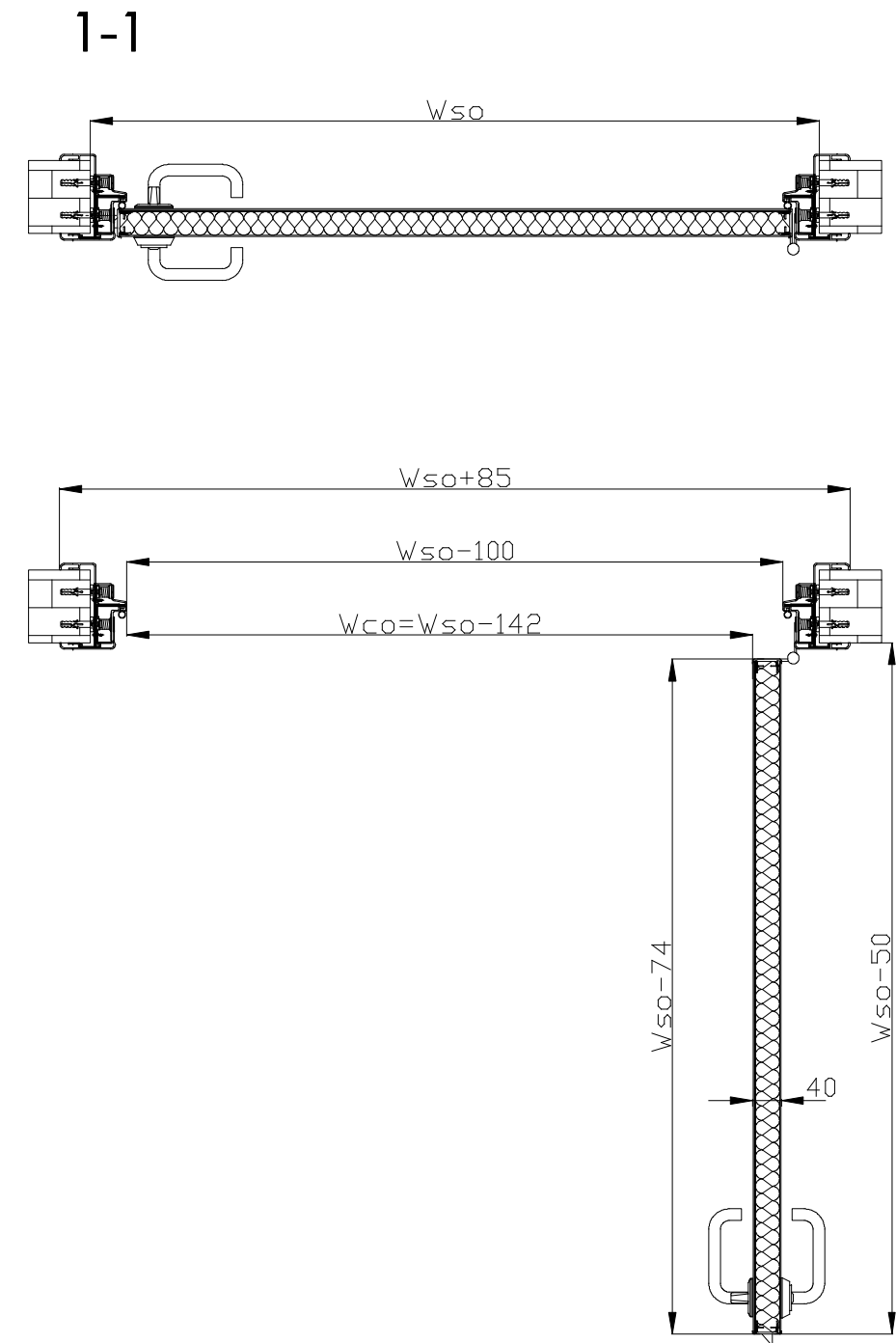
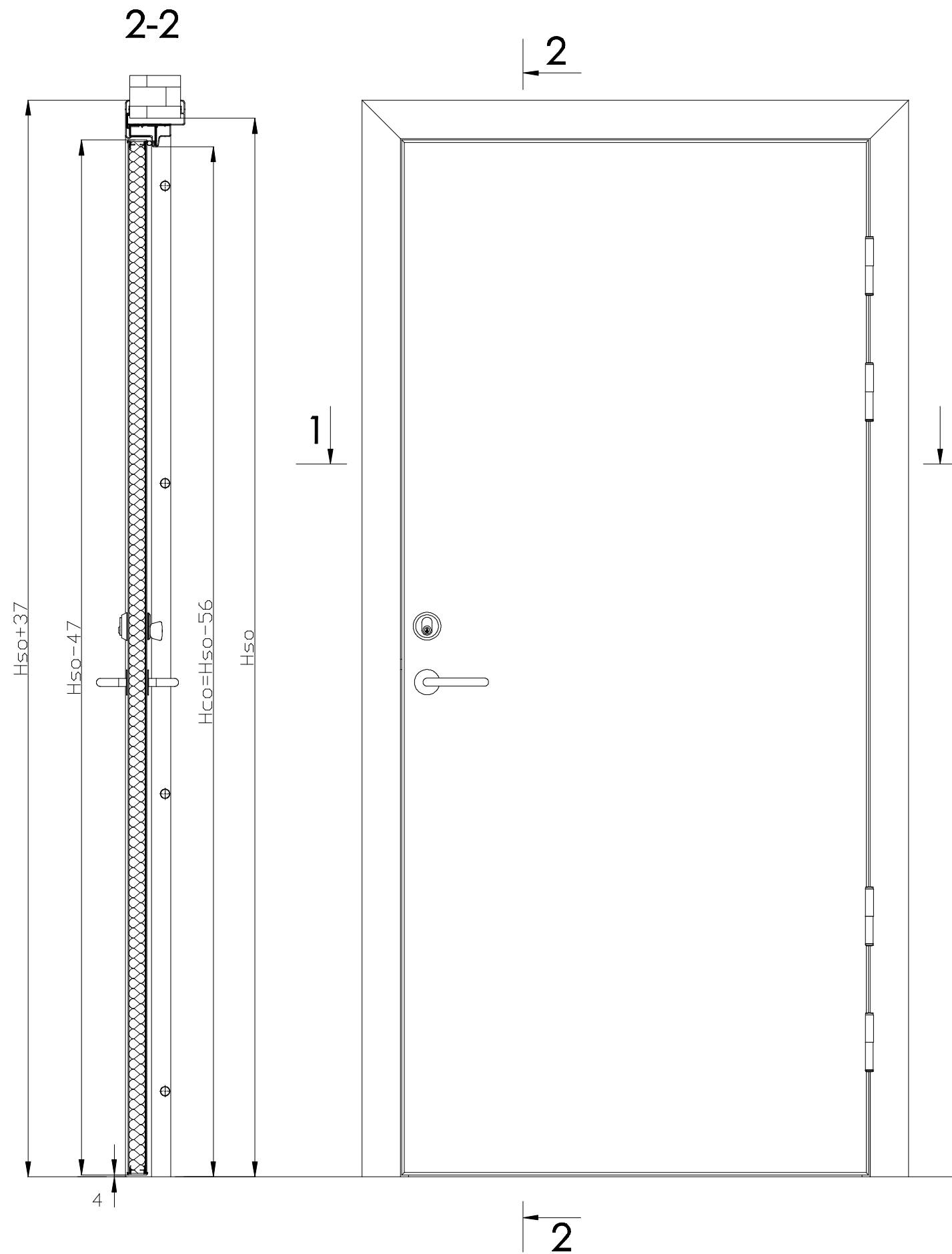
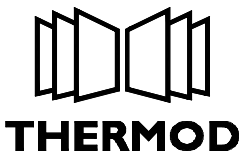


CHANGE HISTORY TABLE

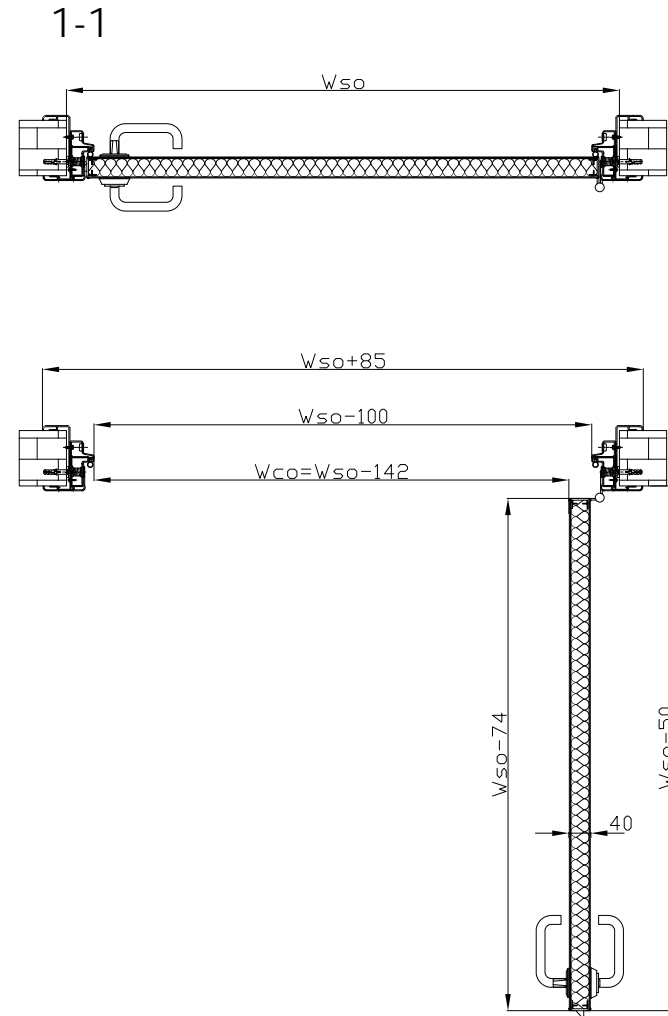
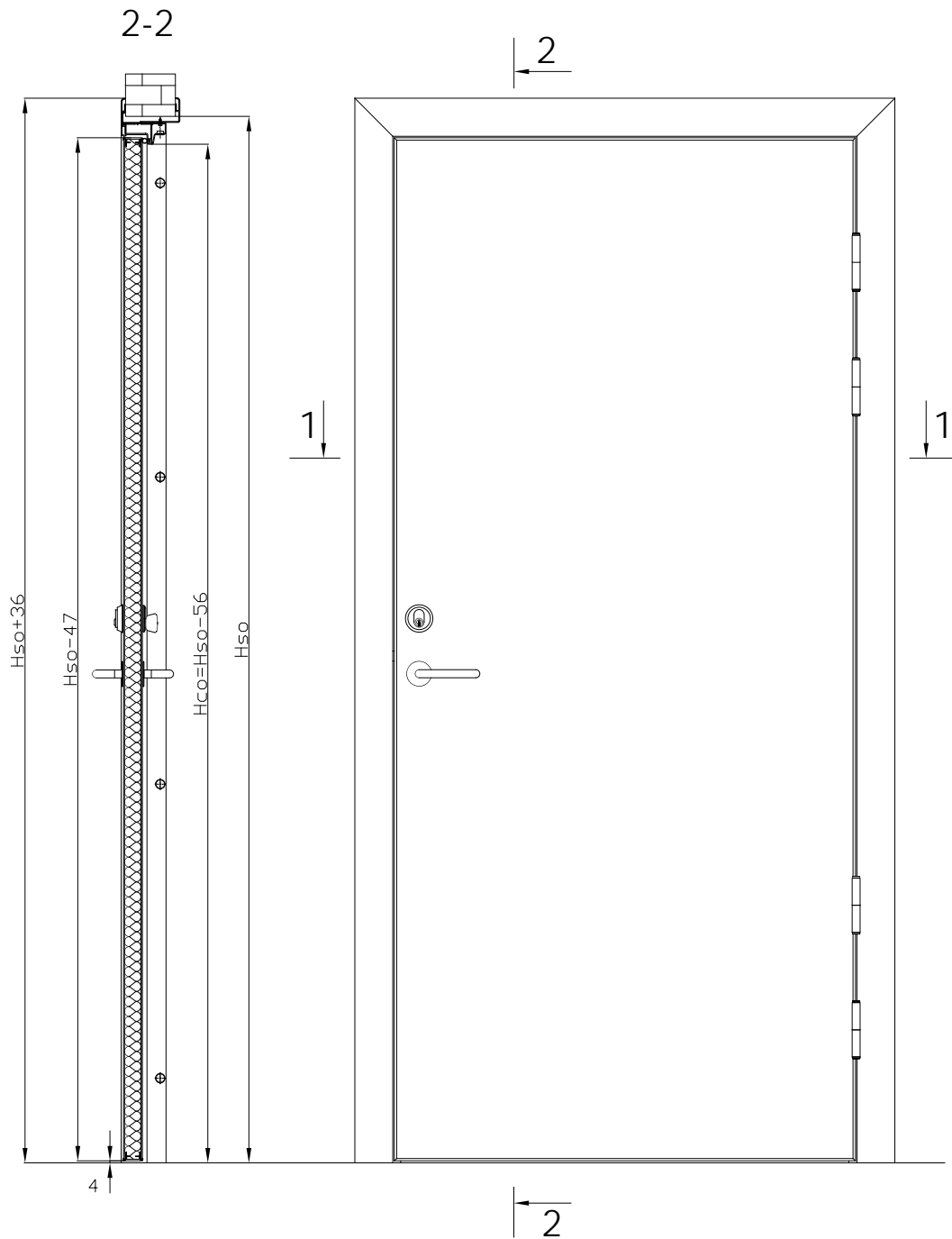
No	Rev.	Modification description	Date	Initials
1.	01	Initial Release	01-09-2011	PB
2.				
3.				



	Contact address: THERMOD AB Söderborgsvägen 32 SE-671 95 Klässbol, Sweden tel. (0)570 72 74 70 fax. (0)570 72 74 71 info@thermod.se	Drawing name: ID, two sided cover, with 2mm lead insert	Drawing number: 010-030-00	
	Date: 01-09-2011	Drawn by: P.Batura	Scale: 1:10	Print format: A3

CHANGE HISTORY TABLE

No	Rev.	Modification description	Date	Initials
1.	01	Initial Release	31-05-2011	PB
2.	02	Gasket geometry updated	09-01-2012	AD
3.	03	Add internal cover, remove double quick	20-02-2012	PB
4.	04			



Contact address:
 THERMOD AB
 Söderborgsvägen 32
 SE-671 95 Klässbol, Sweden
 tel. (0)570 72 74 70
 fax. (0)570 72 74 71
 info@thermod.se

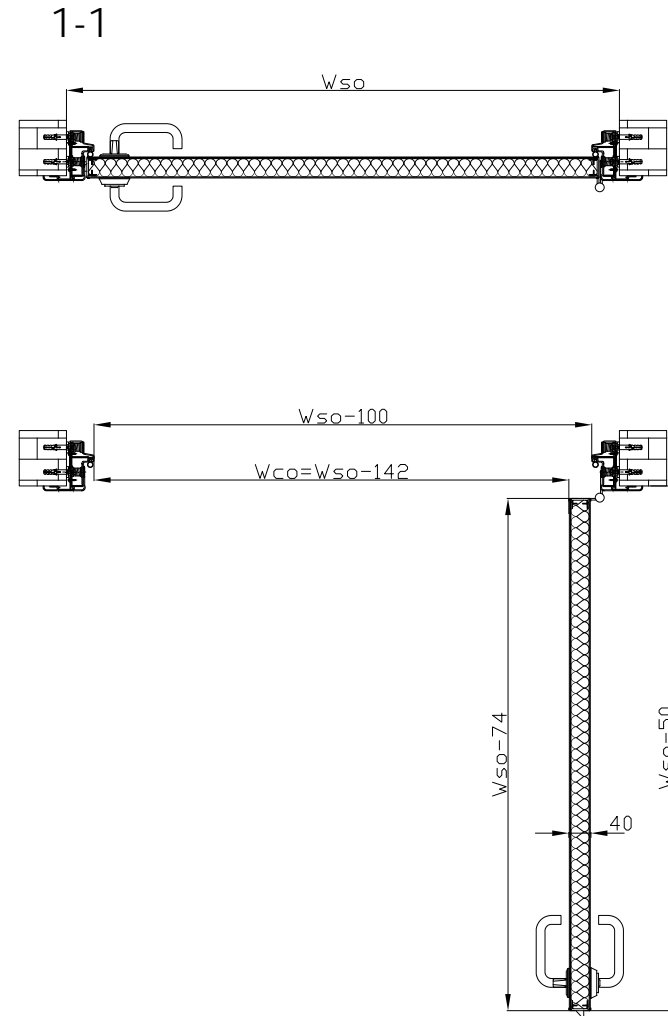
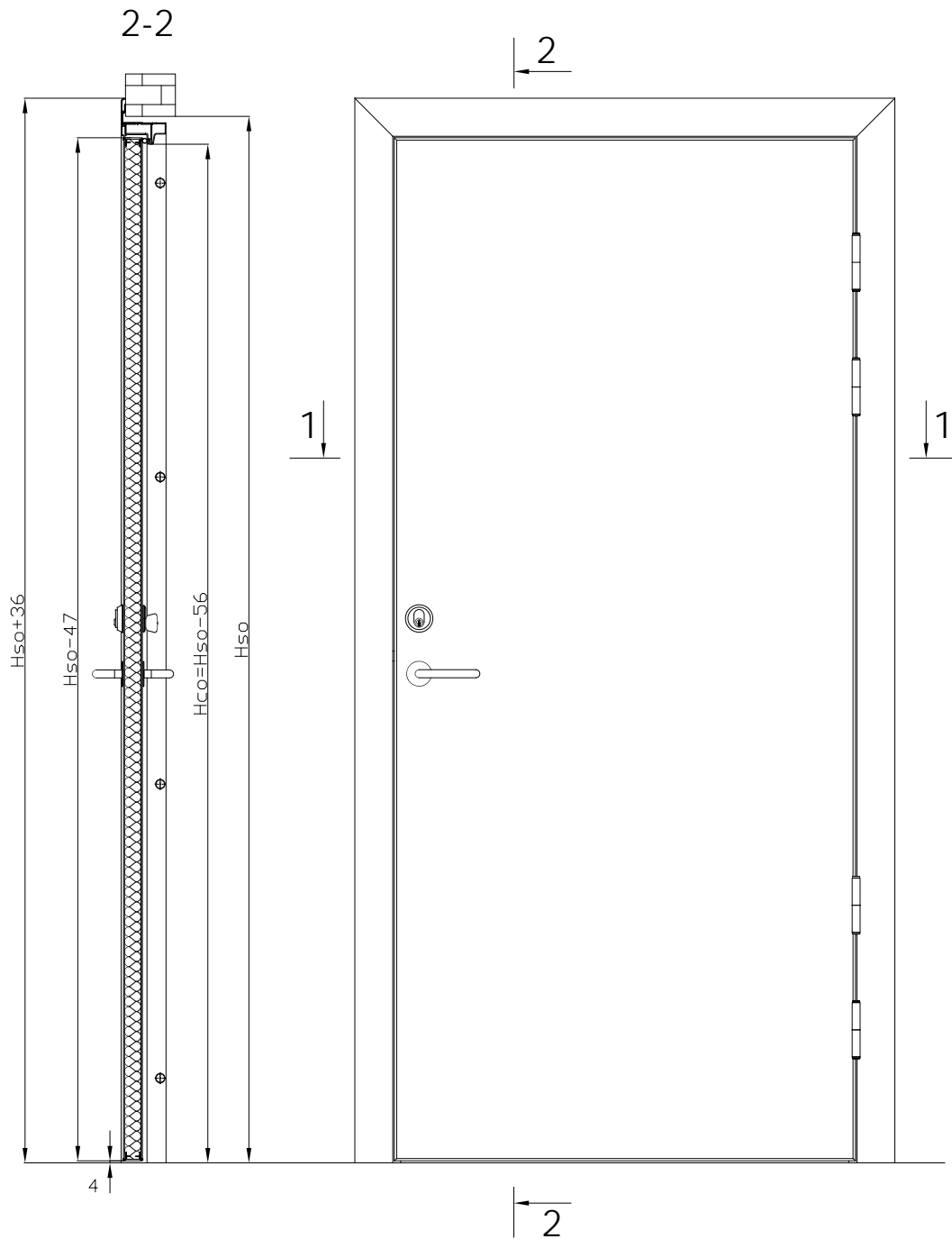
Drawing name:
 ID, with lead insert (for RTG),
 two sided cover

Drawing number:
 010-016-00

Date: 20-02-2012	Drawn by: P. Batura	Scale: 1:10	Print format: A3	Revision: 03
---------------------	------------------------	----------------	---------------------	-----------------

CHANGE HISTORY TABLE

No	Rev.	Modification description	Date	Initials
1.	01	Initial Release	31-05-2011	PB
2.	02	Gasket geometry updated	09-01-2012	AD
3.	03	Remove internal cover	20-02-2012	PB
4.	04			



Contact address:
 THERMOD AB
 Söderborgsvägen 32
 SE-671 95 Klässbol, Sweden
 tel. (0)570 72 74 70
 fax. (0)570 72 74 71
 info@thermod.se

Drawing name:
 ID, with lead insert (for RTG),
 one sided cover

Drawing number:
 010-015-00

Date:
 20-02-2012

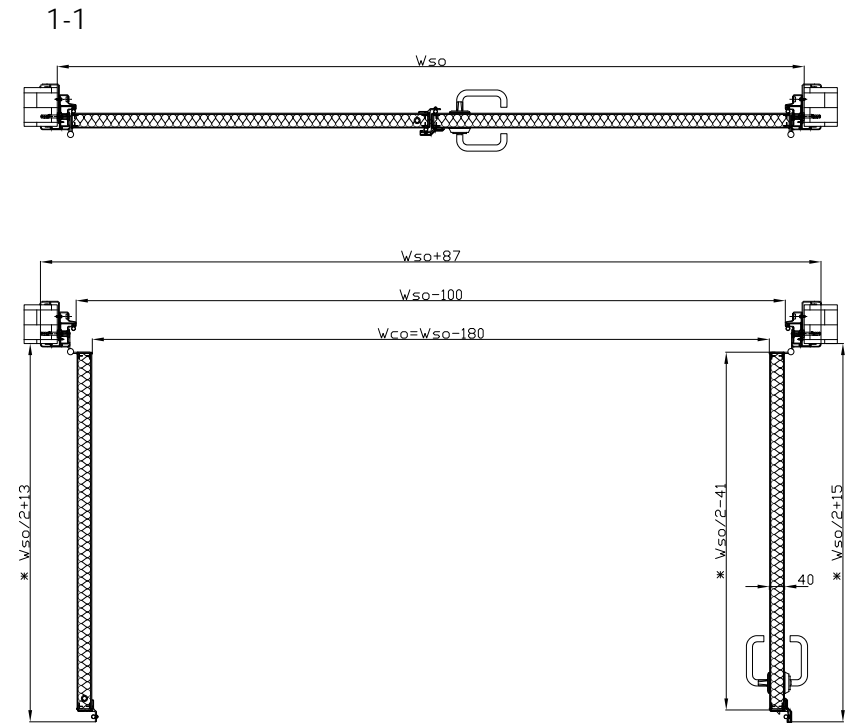
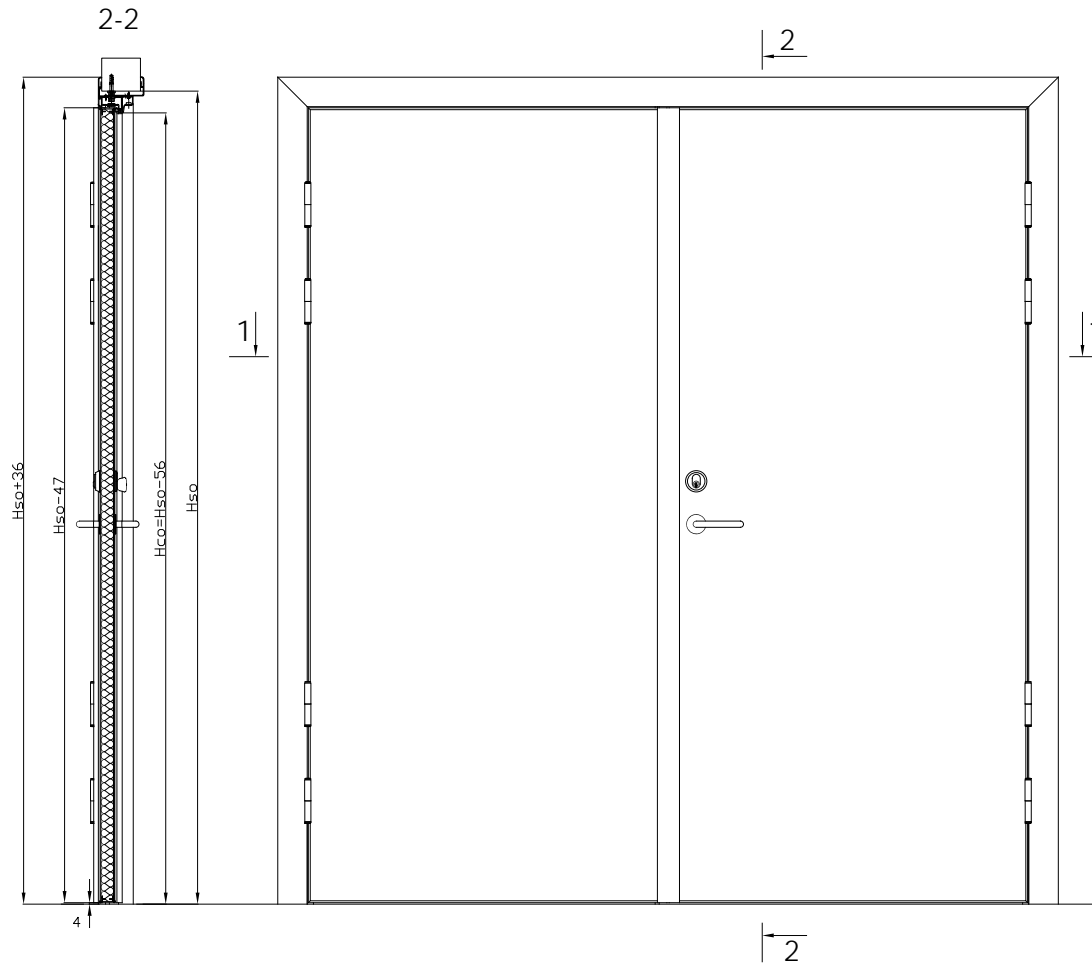
Drawn by:
 P. Batura

Scale:
 1:10


Print format:
 A3

Revision:
 03

No	Rev.	Modification description	Date	Initials
1.	01	Initial Release	31-05-2011	PB
2.	02	Gasket geometry updated	09-01-2012	AD
3.	03	Quicks on top of frame added	20-02-2012	PB
4.	04			

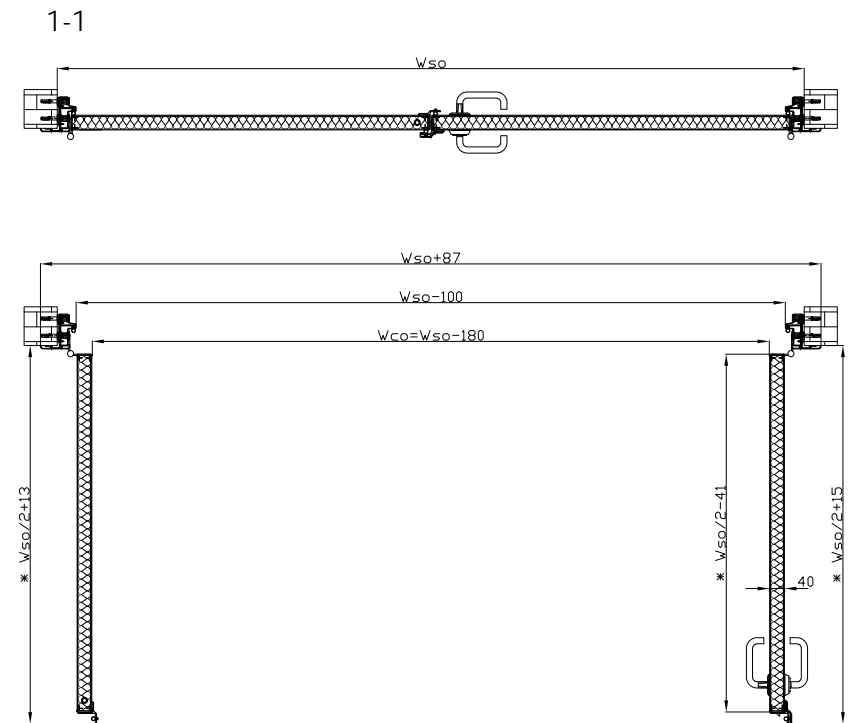
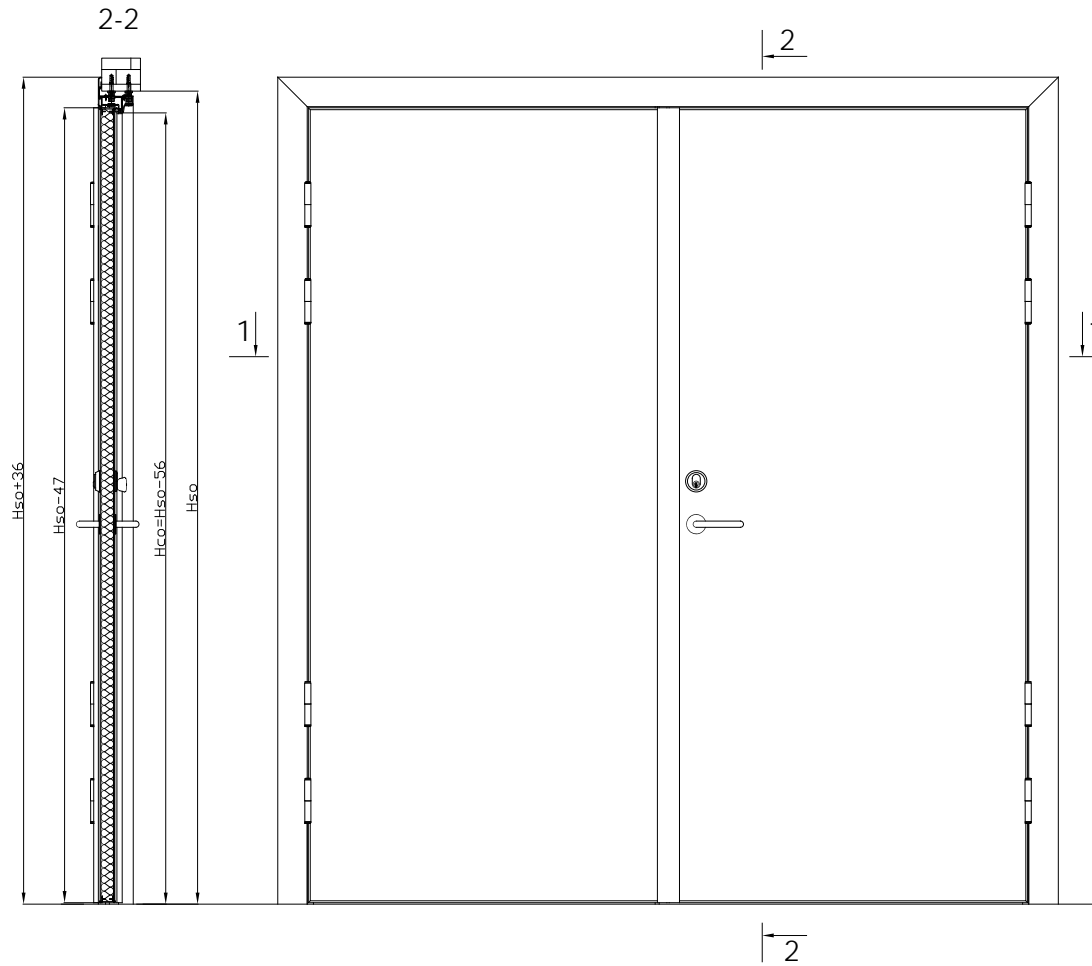


* formula valid only for symmetrical leaves

	Contact address: THERMOD AB Söderborgsvägen 32 SE-671 95 Klämsbol, Sweden tel. (0)570 72 74 70 fax. (0)570 72 74 71 info@thermod.se	Drawing name: IDD, with lead insert (for RTG), two sided cover		Drawing number: 010-026-00
	Date: 20-02-2012	Drawn by: P. Batura	Scale: 1:10	Print format: A2

CHANGE HISTORY TABLE

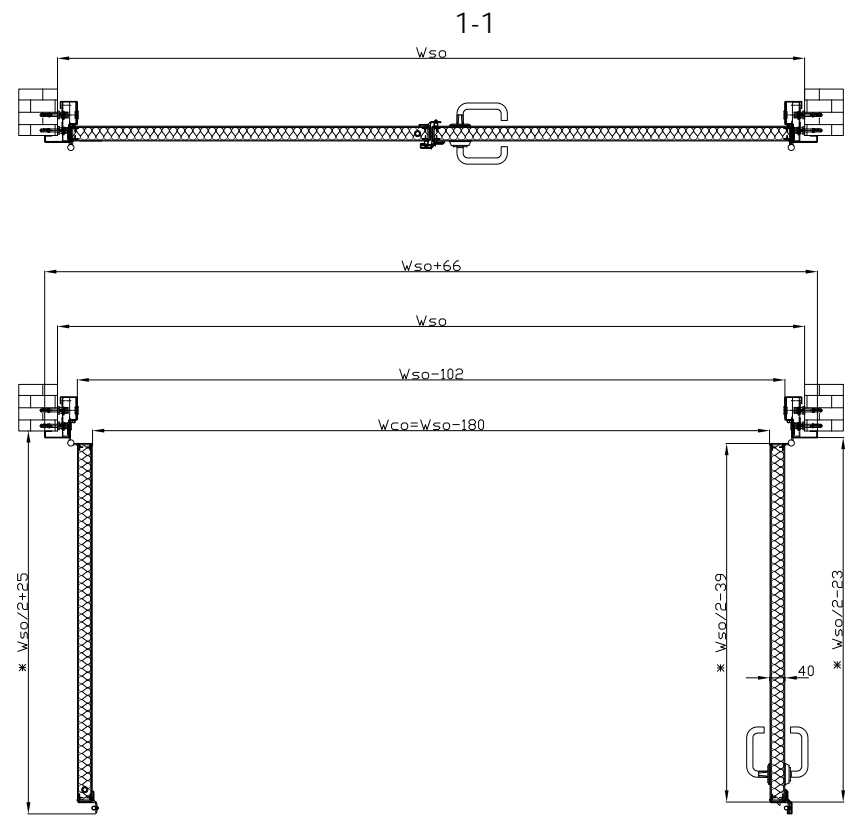
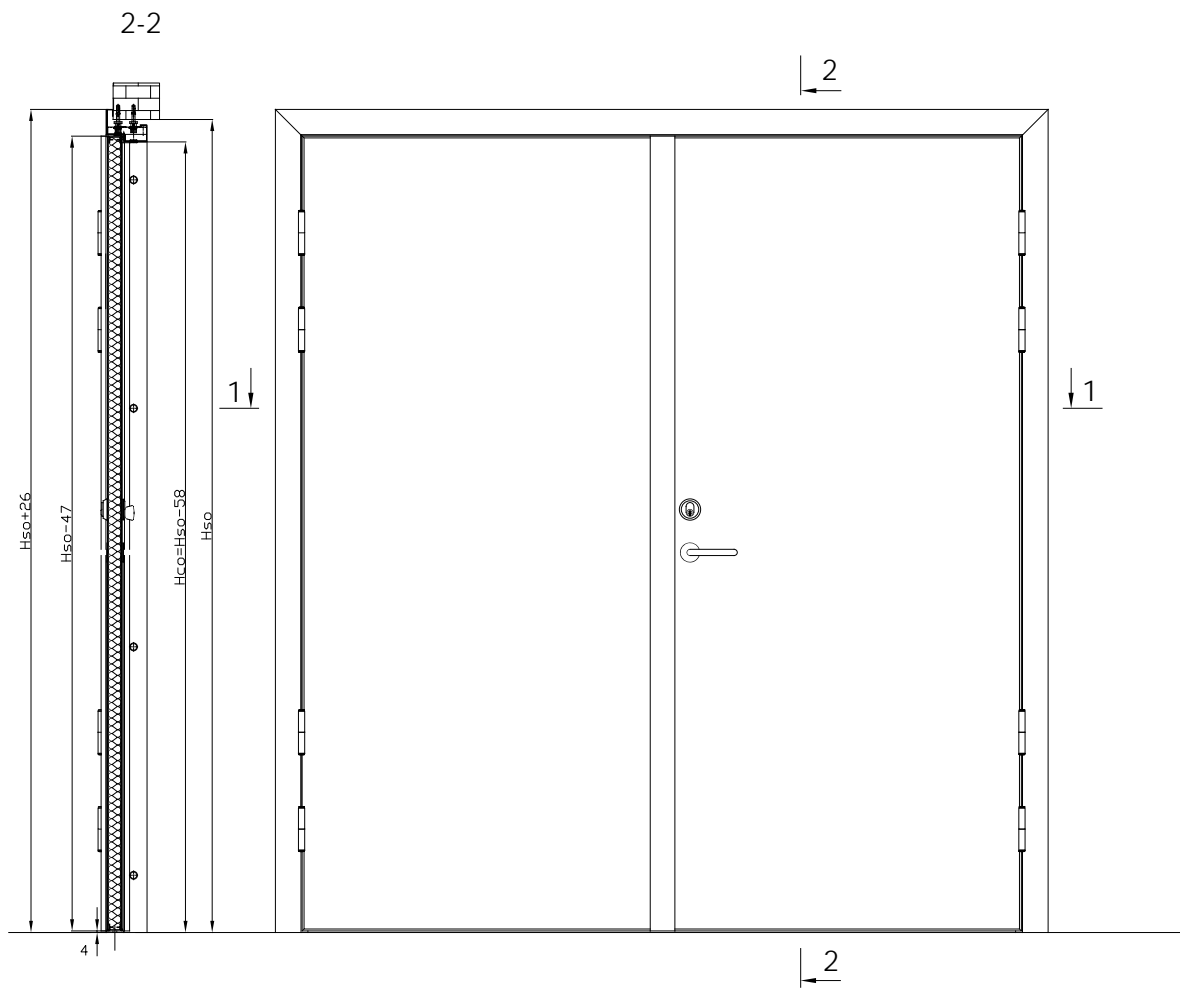
No	Rev.	Modification description	Date	Initials
1.	01	Initial Release	31-05-2011	PB
2.	02	Gasket geometry updated	09-01-2012	AD
3.	03	Quicks on top of frame added, internal cover added, double quick removed	20-02-2012	PB
4.	04			




* formula valid only for symmetrical leaves

	Contact address: THERMOD AB Söderborgsvägen 32 SE-671 95 Klämsbol, Sweden tel. (0)570 72 74 70 fax. (0)570 72 74 71 info@thermod.se	Drawing name: IDD, with lead insert (for RTG), one sided cover	Drawing number: 010-025-00
	Date: 20-02-2012	Drawn by: P. Batura	Scale: 1:10
		Revision: 03	

No	Rev.	Modification description	Date	Initials
1.	01	Initial Release	04-04-2014	AD
2.	02	Frame profile and accessories change	02-07-2014	SK

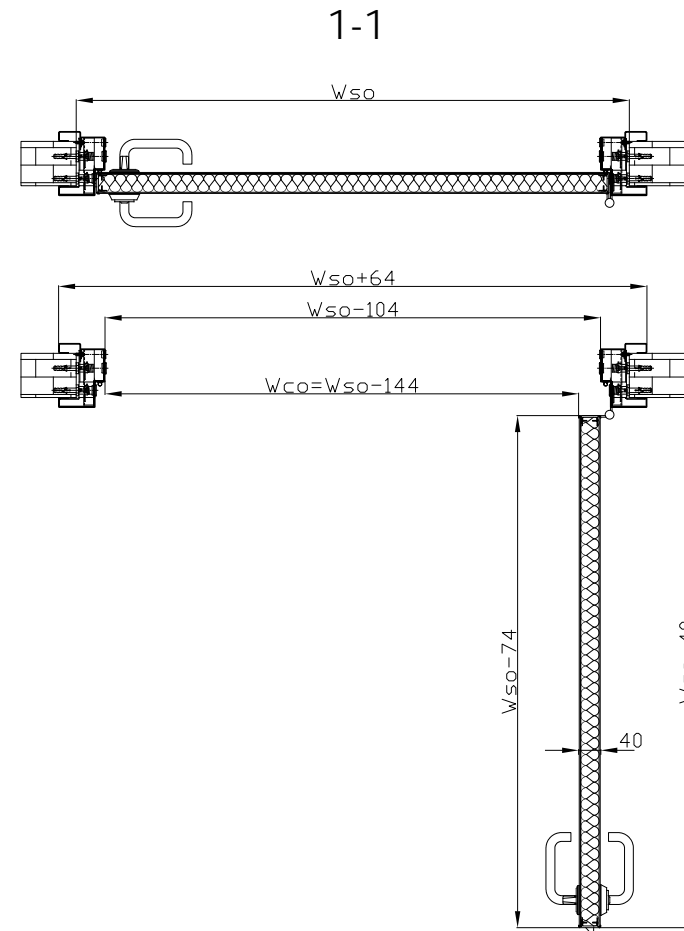
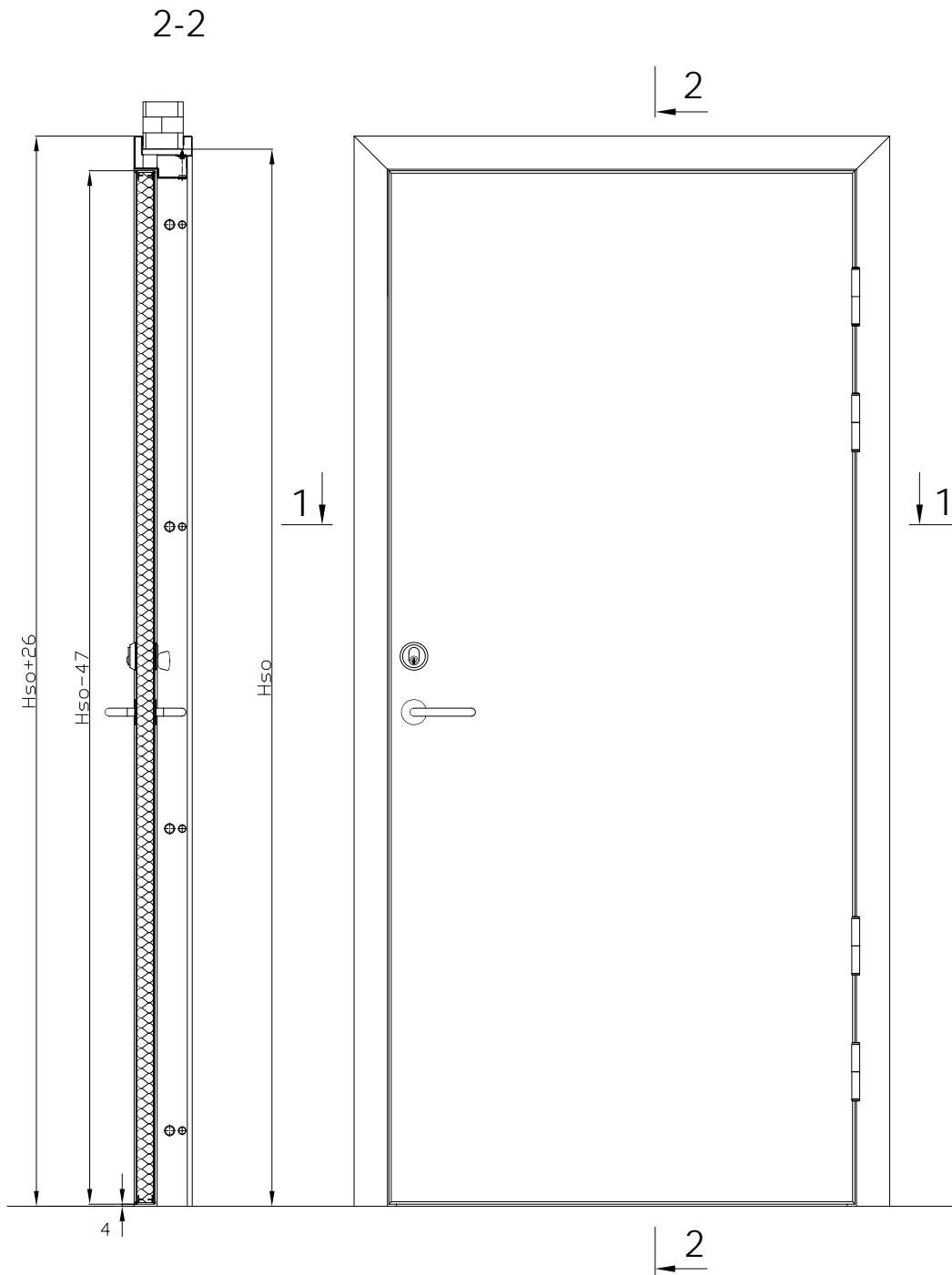


* formula valid only for symmetrical leaves

	Contact address: THERMOD AB Söderborgsvägen 32 SE-671 95 Klässbol, Sweden tel. (0)570 72 74 70 fax. (0)570 72 74 71 info@thermod.se		Drawing number: IDD, stainless frame, one sided cover, mounting for wall, RTG		Drawing number: 010-132-00
	Date: 18-06-2014	Drawn by: S. Kogut	Scale: 1:10	Print format: A2	Revision: 02

CHANGE HISTORY TABLE

No	Rev.	Modification description	Date	Initials
1.	01	Initial Release	25-10-2012	AD
2.	02	Frame profile and accessories change	02-07-2014	SK
3.				



Contact address:
 THERMOD AB
 Söderborgsvägen 32
 SE-671 95 Klässbol, Sweden
 tel. (0)570 72 74 70
 fax. (0)570 72 74 71
 info@thermod.se

Drawing name:
ID, stainless frame, two sided cover, mounting for wall, RTG

Drawing number:
010-131-00

Date:
18-06-2014

Drawn by:
 S. Kogut

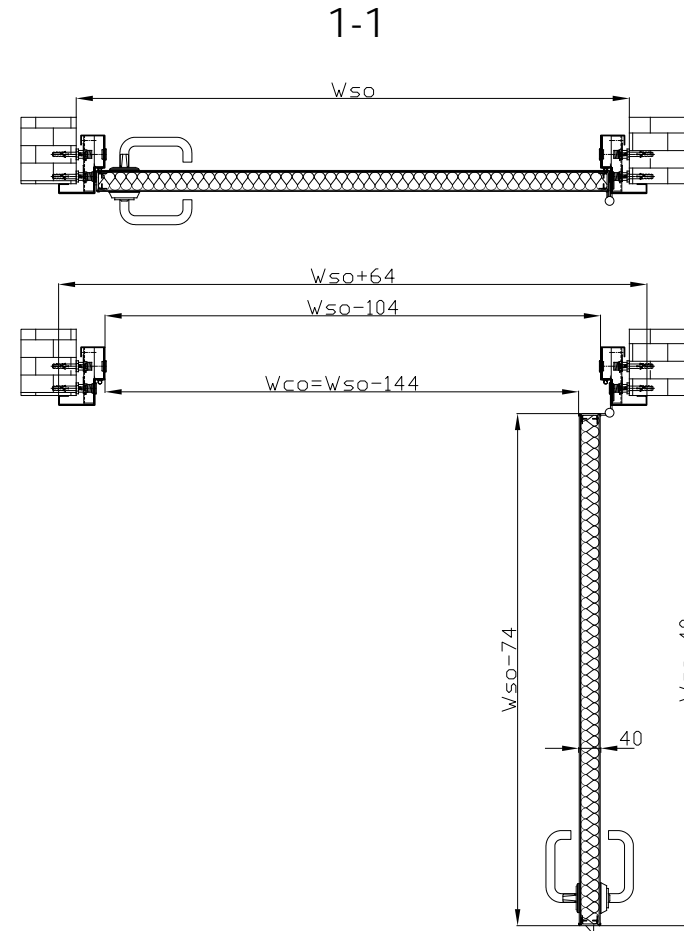
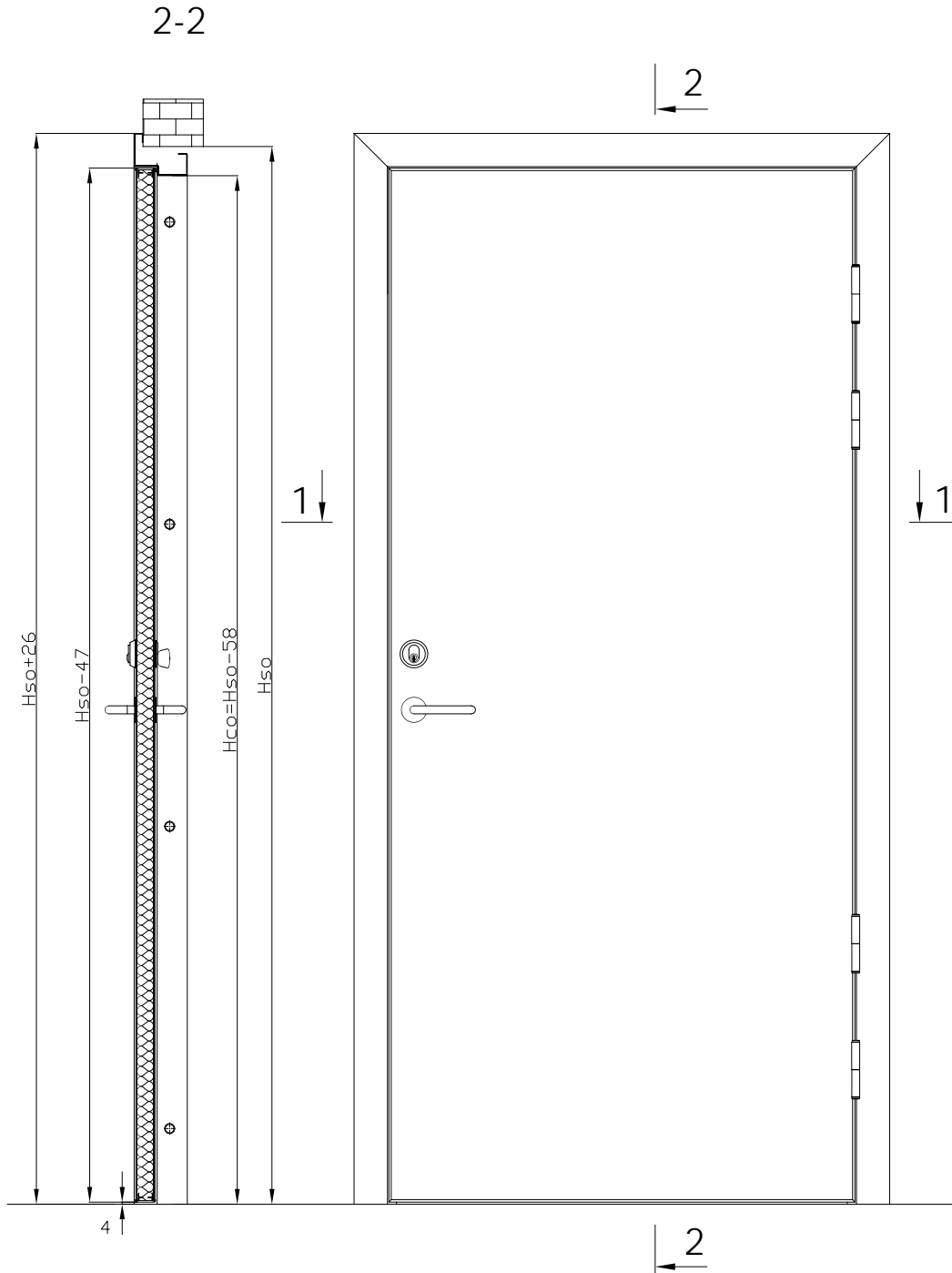
Scale:
1:10

Print format:
A3

Revision:
02

CHANGE HISTORY TABLE

No	Rev.	Modification description	Date	Initials
1.	01	Initial Release	05-12-2012	AD
2.	02	Frame profile and accessories change	02-07-2014	SK
3.				



Contact address:
 THERMOD AB
 Söderborgsvägen 32
 SE-671 95 Klässbol, Sweden
 tel. (0)570 72 74 70
 fax. (0)570 72 74 71
 info@thermod.se

Drawing name:
 ID, stainless frame, one sided
 cover, mounting for wall, RTG

Drawing number:
 010-130-00

Date:
 05-12-2012

Drawn by:
 A. Dziewiatowski

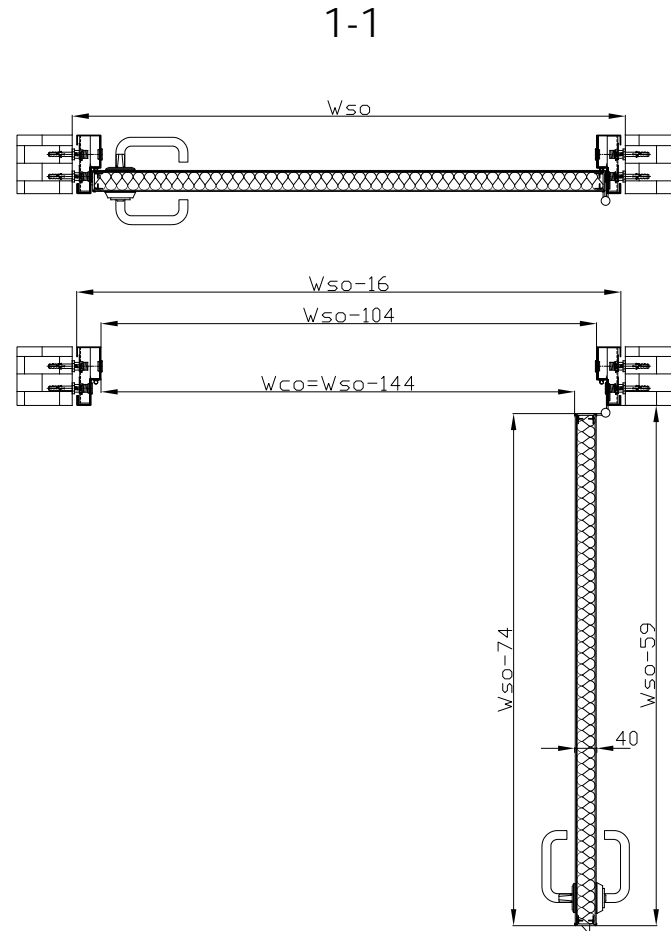
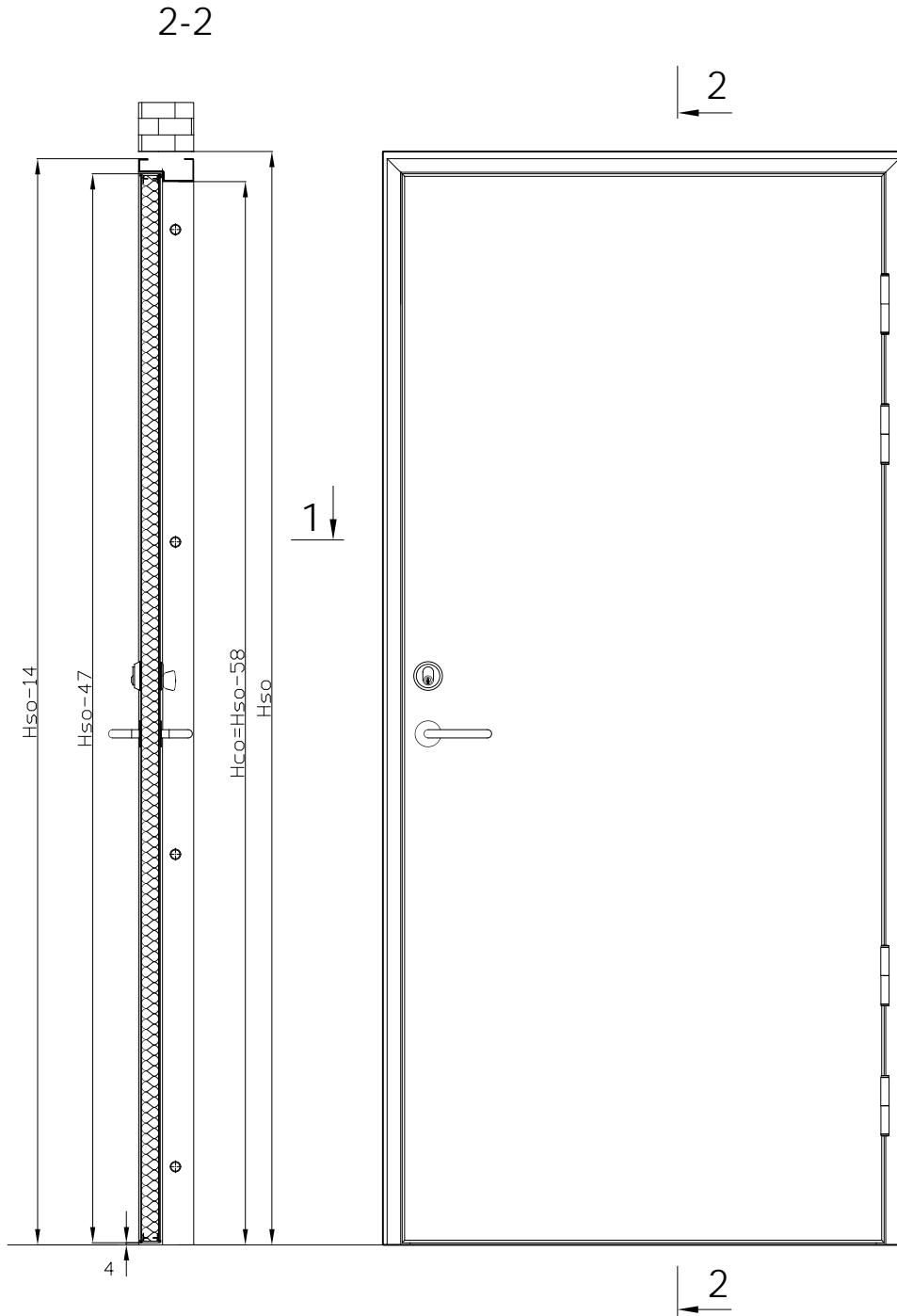
Scale:
 1:10

Print format:
 A3

Revision:
 02

CHANGE HISTORY TABLE

No	Rev.	Modification description	Date	Initials
1.	01	Initial Release	01-05-2018	AD
2.				
3.				



Contact address:
 THERMOD AB
 Söderborgsvägen 32
 SE-671 95 Klässbol, Sweden
 tel. (0)570 72 74 70
 fax. (0)570 72 74 71
 info@thermod.se

Drawing name:
 ID, stainless frame, without
 cover, mounting for wall, RTG

Drawing number:
 010-105-00

Date:
 05-01-2018

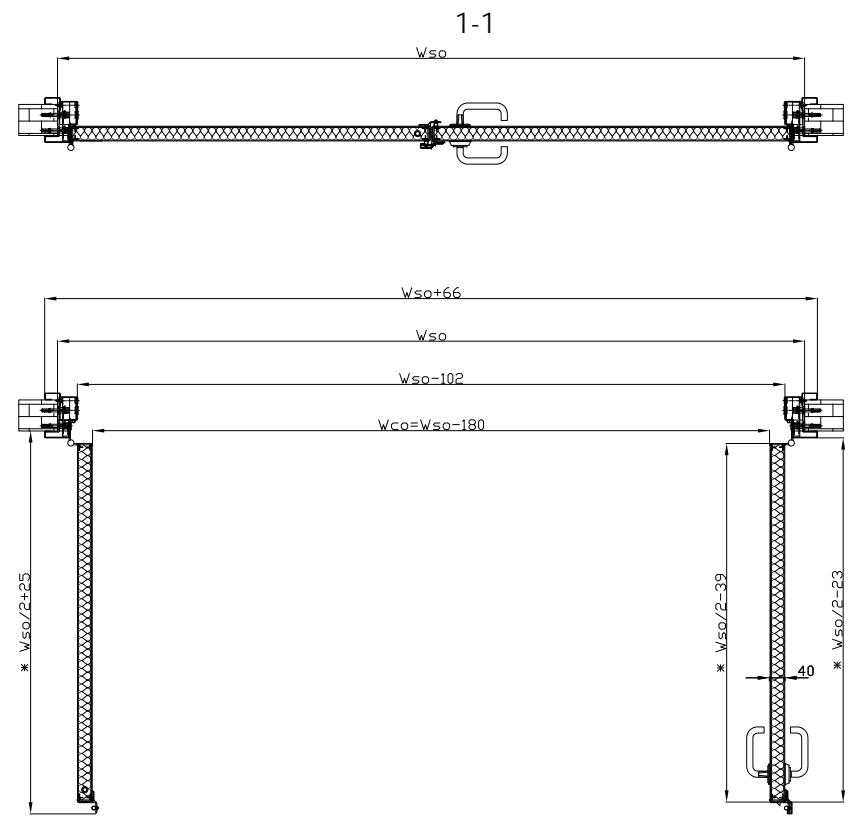
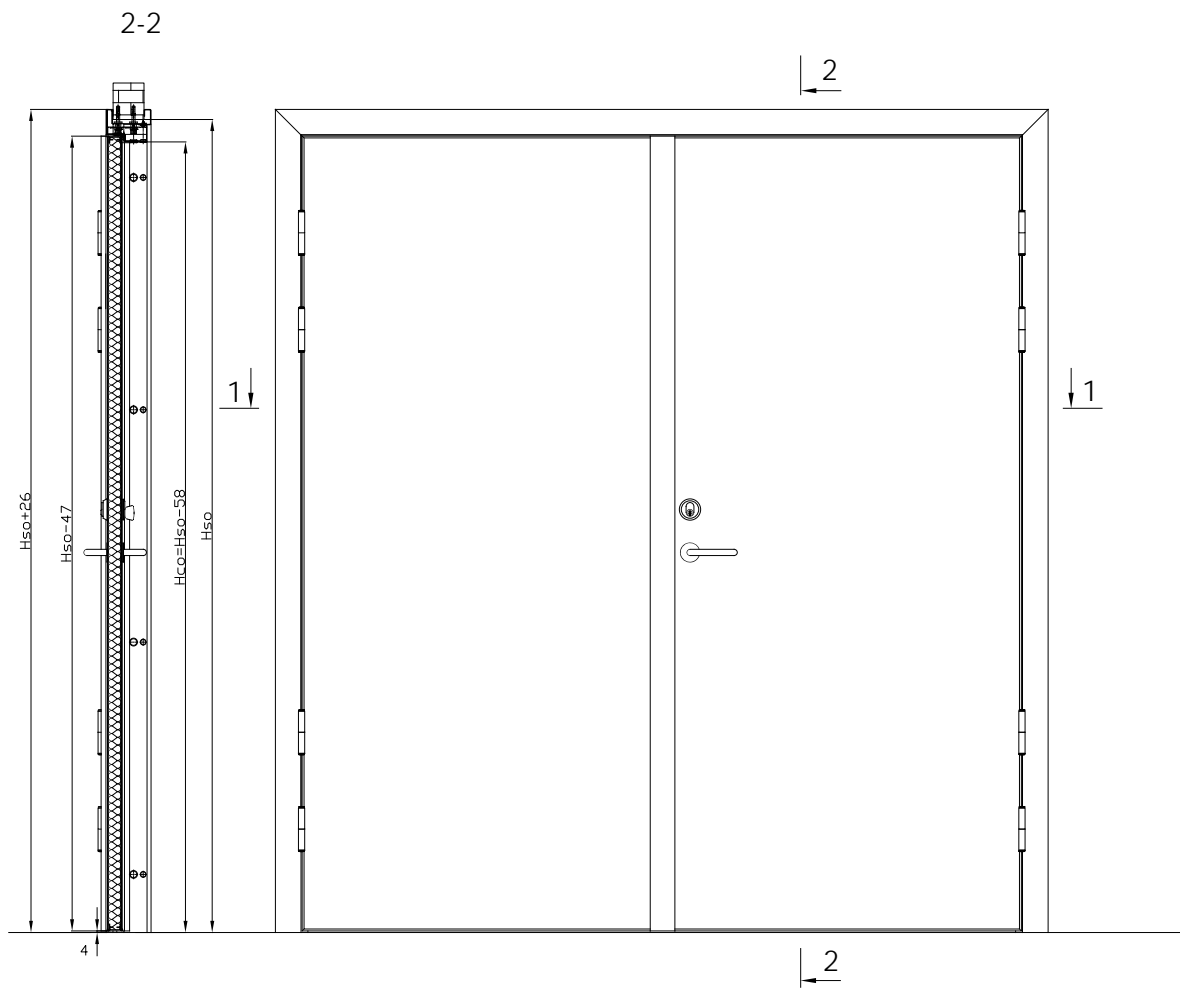
Drawn by:
 A. Dziewiatowski

Scale:
 1:10


Print format:
 A3

Revision:
 01

No	Rev.	Modification description	Date	Initials
1.	01	Initial Release	04-04-2014	AD
2.	02	Frame profile and accessories change	02-07-2014	SK



* formula valid only for symmetrical leaves

	Contact address: THERMOD AB Söderborgsvägen 32 SE-671 95 Klässbol, Sweden tel. (0)570 72 74 70 fax. (0)570 72 74 71 info@thermod.se	Drawing name: IDD, stainless frame, one sided cover, mounting for wall, RTG	Drawing number: 010-133-00
	Date: 18-06-2014	Drawn by: S. Kogut	Scale: 1:10
		Revision: 02	