

Contact address:
THERMOD AB
 Söderborgsvägen 32
 SE-671 95 Klässbol, Sweden
 tel. (0)570 72 74 70
 fax. (0)570 72 74 71
 info@thermod.se

Drawing name:
IDD E130
 One side cover

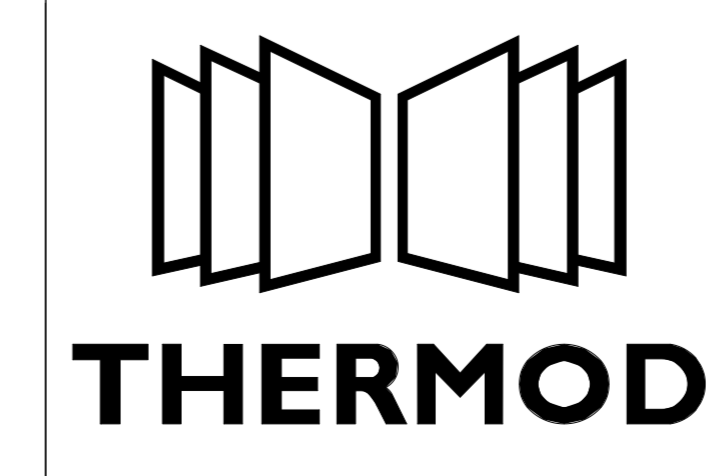
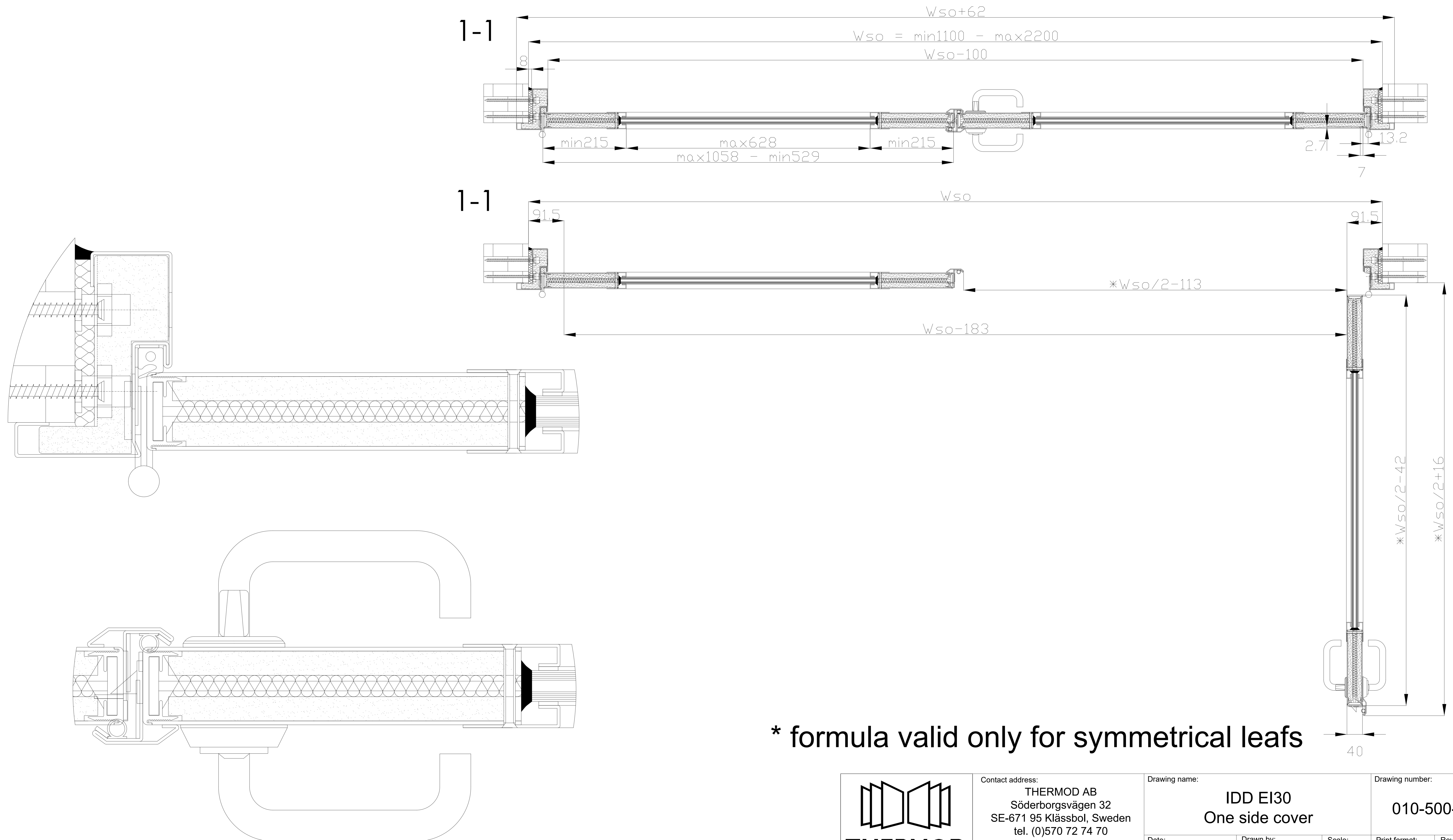
Date: 28-11-2017
 Drawn by: E.Malczak
 Scale: 1:10

Drawing number:
010-500-00

Print format: A3
 Revision: 01

CHANGE HISTORY TABLE

No	Rev.	Modification description	Date	Initials
1.	01	Initial Release	28-11-2017	EM
2.				
3.				
4.				



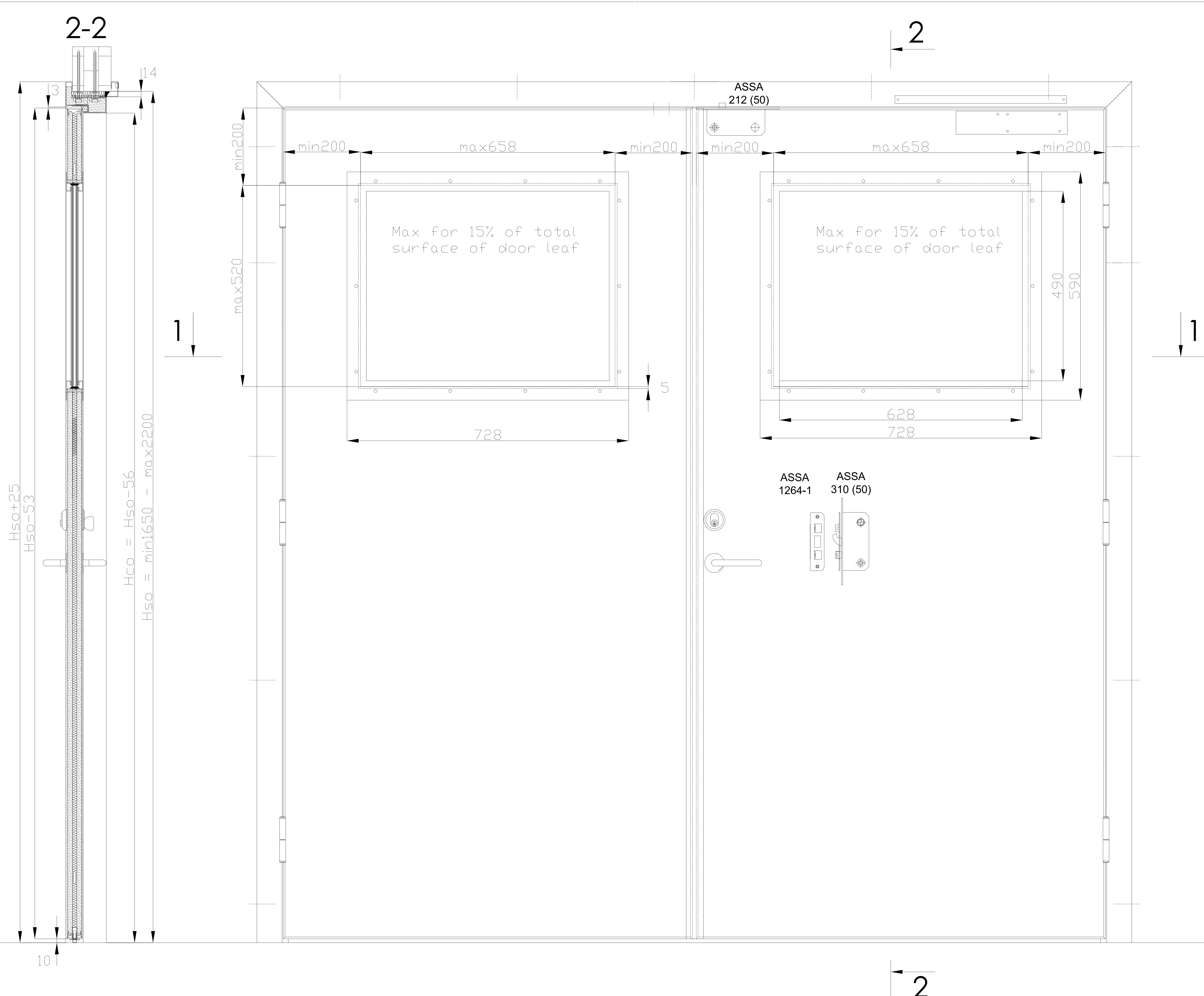
Contact address:
THERMOD AB
 Söderborgsvägen 32
 SE-671 95 Klässbol, Sweden
 tel. (0)570 72 74 70
 fax. (0)570 72 74 71
 info@thermod.se

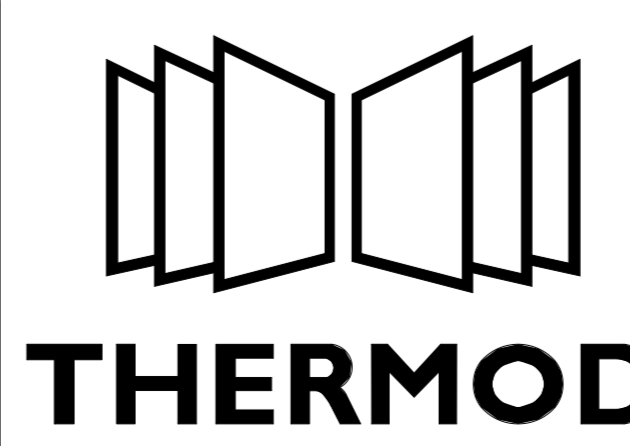
Drawing name:
IDD E130
 One side cover

Date: 28-11-2017
 Drawn by: E.Malczak
 Scale: 1:10

Drawing number:
010-500-00

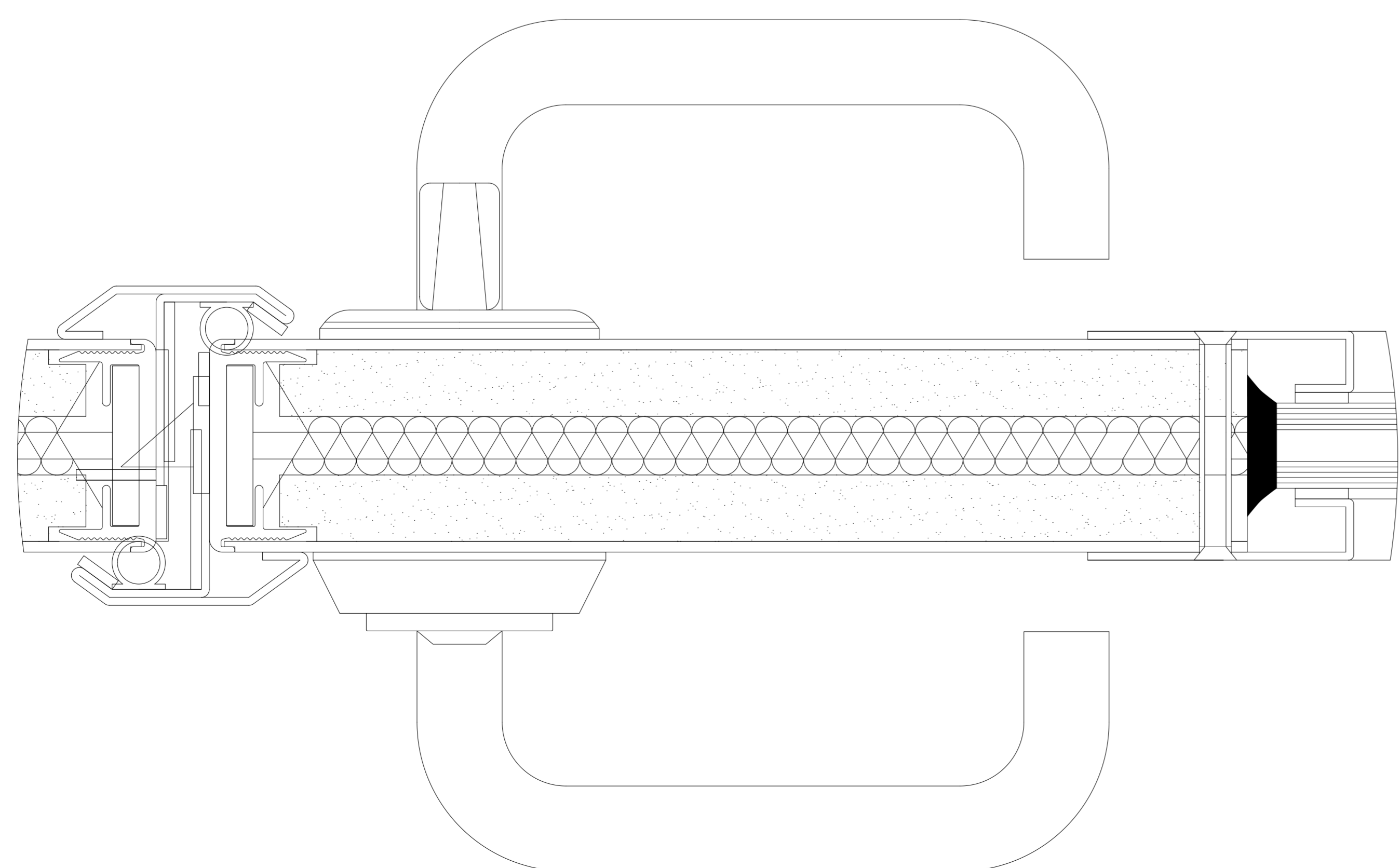
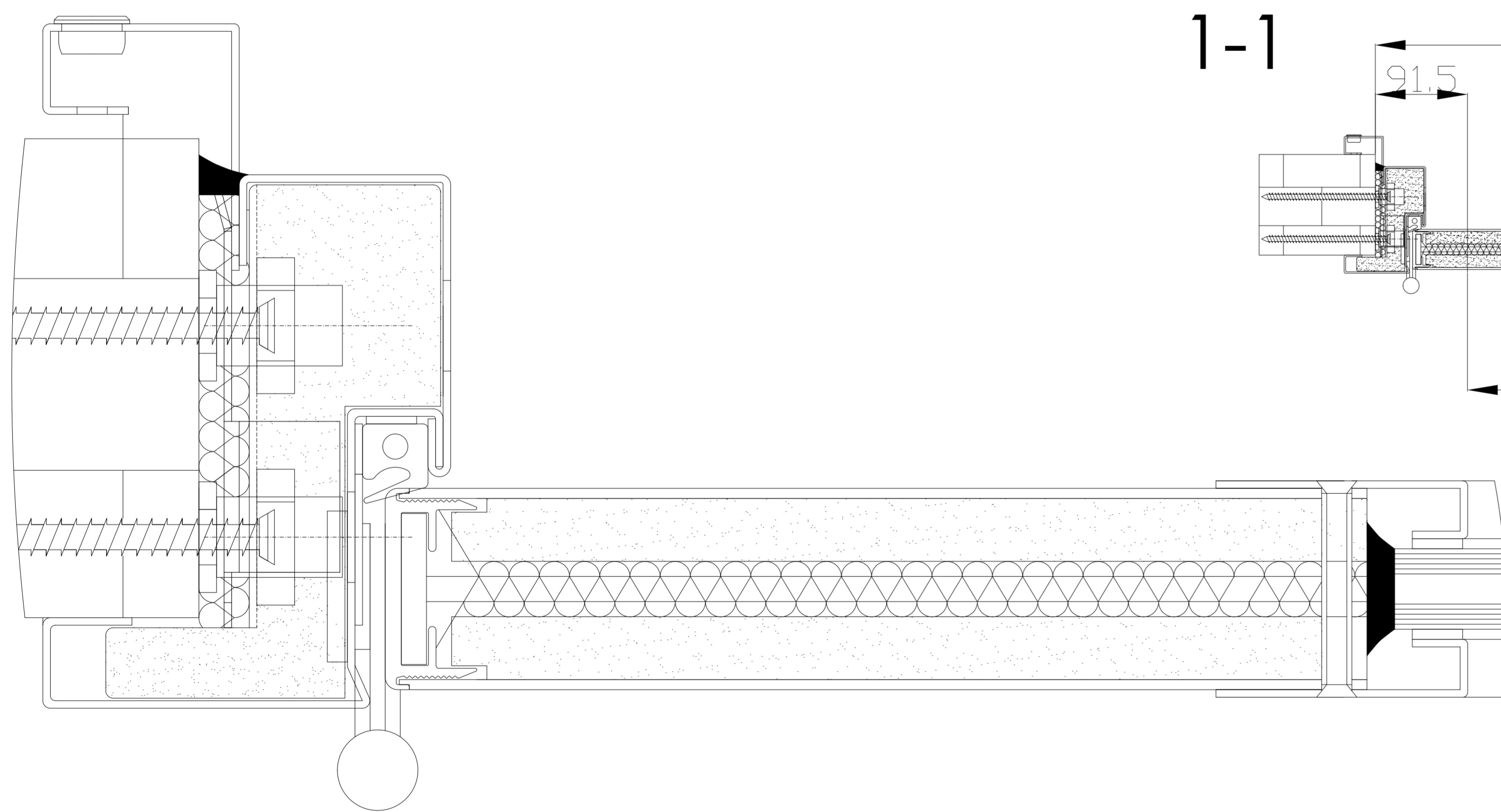
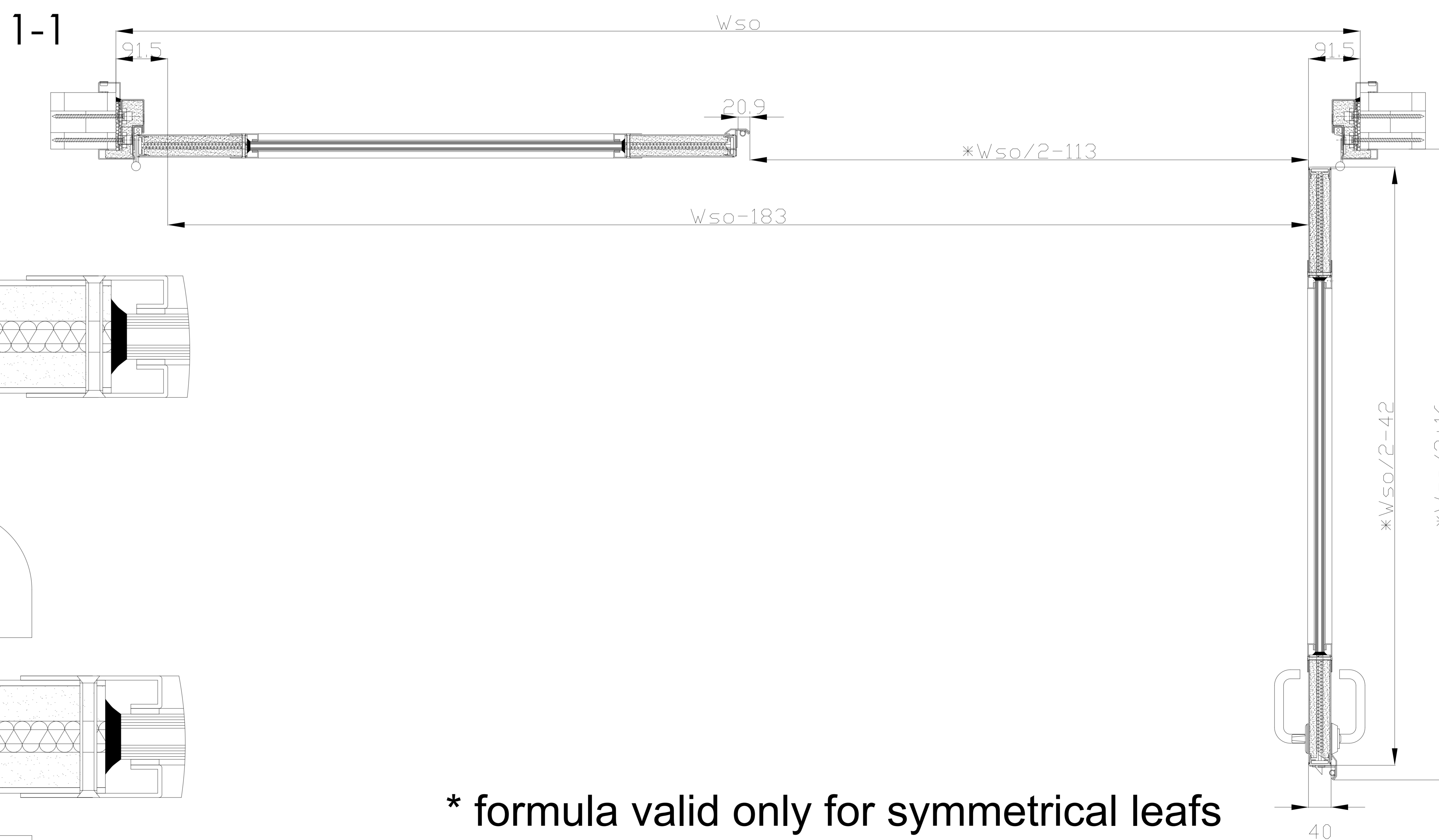
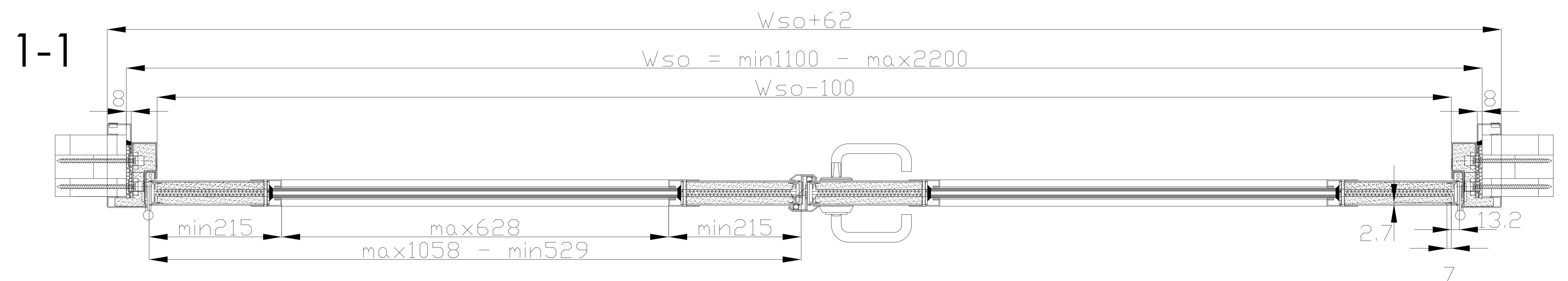
Print format: A3
 Revision: 01



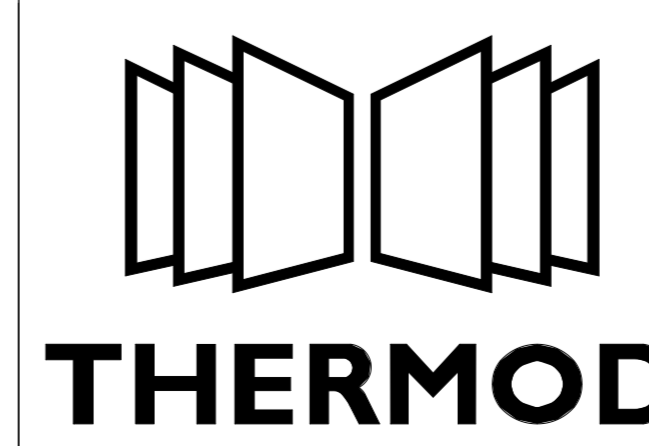
	Contact address: THERMOD AB Söderborgsvägen 32 SE-671 95 Klässbol, Sweden tel. (0)570 72 74 70 fax. (0)570 72 74 71 info@thermod.se		Drawing name: IDD E130 Two side cover		Drawing number: 010-500-01	
	Date: 28-11-2017	Drawn by: E.Malczak	Scale: 1:10	Print format: A3	Revision: 01	

CHANGE HISTORY TABLE

No	Rev.	Modification description	Date	Initials
1.	01	Initial Release	28-11-2017	EM
2.				
3.				
4.				



* formula valid only for symmetrical leafs



Contact address:
 THERMOD AB
 Söderborgsvägen 32
 SE-671 95 Klässbol, Sweden
 tel. (0)570 72 74 70
 fax. (0)570 72 74 71
 info@thermod.se

Drawing name:
 IDD E130
 Two side cover
 Date: 28-11-2017
 Drawn by: E.Malczak

Drawing number:
 010-500-01
 Scale: 1:10
 Print format: A3
 Revision: 01