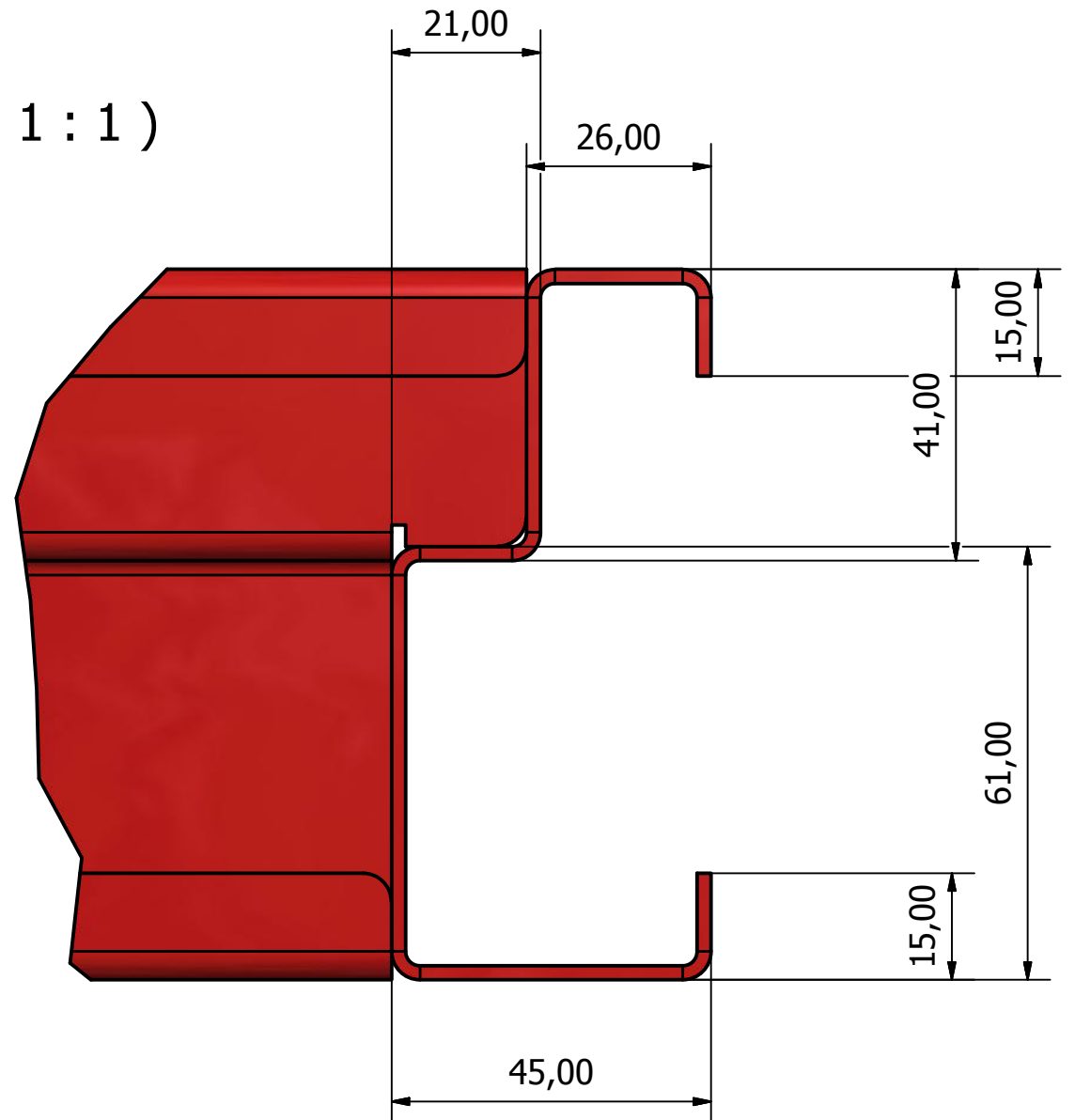


A (1 : 1)



Designed by Kristian	Checked by	Approved by	Date	Date 27.05.2015	
			402_01	Edition	Sheet 1 / 1