



July 2014

NMkit5000_GB-A



.....
.....
.....

KIT 5000



For manual Fermatic systems:

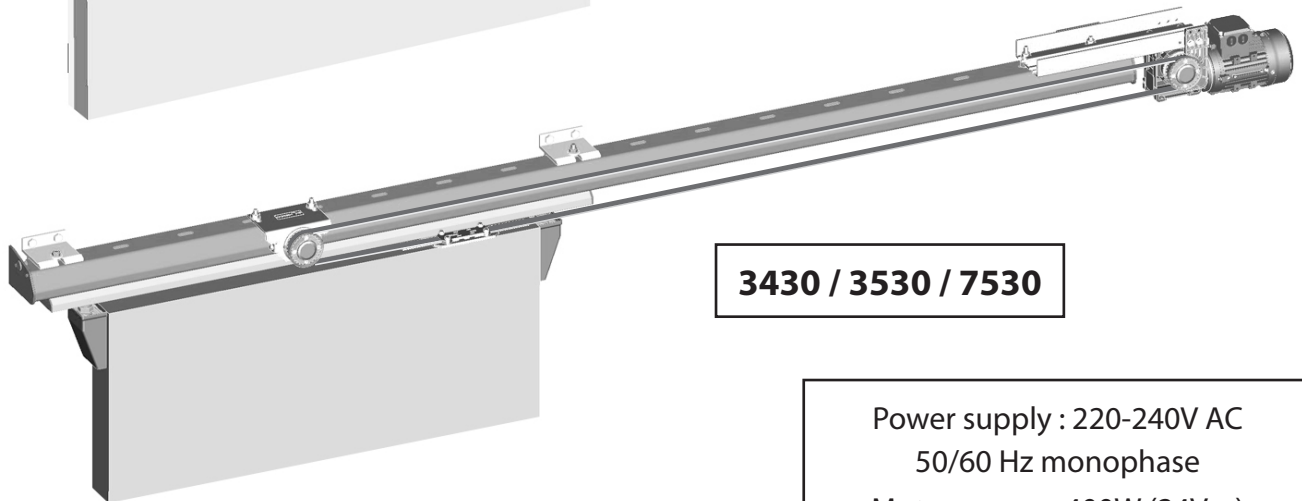
**2120 / 2130 / 2150 - 2320 / 2420
3430 / 3530 / 7530**



2120 / 2130 / 2150



2320 / 2420



3430 / 3530 / 7530

Power supply : 220-240V AC
50/60 Hz monophase
Motor power : 400W (24Vcc)

This instructions manual includes the mounting, utilization and the maintenance instructions. We recommend to read this carefully and to place it at the user's disposal. The english version of our general conditions of sales and mounting instructions are not binding, and are only given for information purposes.

Only the french version can be used in case of legal action.

SUMMARY

1 - General informations	p.3
1.1 - Regulations and obligations.....	p.3
1.2 - Liabilities.....	p.3
2 - Transport	p.4
3 - Storage	p.4
4 - Mounting precautions	p.4
5 - Characteristics	p.5

FERMATIC 2120 / 2130 / 2150 - 2320 / 2420 SYSTEMS

6 - Mounting onto 2120 / 2130 / 2150 - 2320 / 2420 systems	p.8
6.1 - Rail preparing.....	p.9
6.2 - Belt adjuster.....	p.9
6.3 - Door driving assembly.....	p.10
6.4 - Motor.....	p.11
6.5 - Belt.....	p.13

FERMATIC 3430 / 3530 / 7530 SYSTEMS

7 - Mounting onto 3430 / 3530 / 7530 systems	p.15
7.1 - Belt adjuster.....	p.16
7.2 - Door driving assembly.....	p.17
7.3 - Motor.....	p.18
7.4 - Belt.....	p.24

8 - 90° motor mounting	p.26
9 - Left side motor mounting	p.28
10 - Passive edgemount security	p.31
11 - Command box	p.32
12 - Wiring	p.32
13 - Horizontal safety device	p.35
14 - Parameters	p.37
14.1 - Initialization/First power on.....	p.37
14.2 - Control keyboard using.....	p.37
14.3 - Information codes.....	p.42
15 - Available functions	p.44
15.1 - Lock function.....	p.44
15.2 - Stop command.....	p.44
15.3 - Partial opening.....	p.44
15.4 - Fire detection.....	p.44
16 - Using	p.45
16.1 - Normal using.....	p.45
16.2 - Risks following intentional acts.....	p.45
16.3 - Identification stickers.....	p.45
16.4 - Cleaning.....	p.46
17 - Maintenance	p.46
18 - Scrapping	p.46

1 - GENERAL INFORMATIONS

1.1 REGULATIONS & OBLIGATIONS

The product you have acquired is integrated into an industrial door. Its being put on the European Union market implies EC marking by a certified agency, under the liabilities of the manufacturer and/or installer of the door. The design, manufacture and installation of an industrial door must respect the essential requirements of health and safety determined by the following European directives:

European Directives	Manual door	Motorised door
Construction Products Directive 89/106/EEC	X	X
Low Voltage Directive 2006/95/CE		X
Electro-magnetic Compatibility Directive 2004/108/CE		X
Machines and Working Equipment Directive 2006/42/EC		X

The proof of conformity to the regulation texts, mentioned above, is obtained by the respect of the standard reference detailed by the standard of product **NF EN 13241-1**: Industrial, Commercial and Garage Doors (Part 1: products without fire and smoke proofing characteristics).

Terminology standard	Safety standard	Environmental standard	Electrical and DCEM standard
EN 12433-1 Types of doors	EN 12604 Mechanical aspects	EN 12424 Resistance to wind	EN 60204-1 Machine electrical safety
EN 12433-2 Components of doors	EN 12605 Test methods	EN 12444 Tests and calculations	EN 61000-6-2 (DCEM) Immunity to industrial environment
	EN 12453 Safety of use	EN12425 Water penetration	EN 61000-6-3 (DCEM) Harmonic measure emission
	EN 12445 Test methods	EN 12489 Test methods	EN 61000-6-4 Industrial environment emission
	EN 12978 Safety devices	EN 12426 Permeability to air	
	EN 12635 Installation and use	EN 12427 Test methods	
		EN 12428 Thermal transmission	

FERMOD has taken the standards that apply to the supplied products into consideration.

1.2 LIABILITIES

1 – The manufacturer of the door, the installer and the user must observe the safety rules (collective protection, individual protection) applicable during transport, assembly, use, and discarding of the door or its components.

2 – The liability of the user may be engaged in circumstances that are not marginal. Thus, the user must scrupulously comply with the recommendations for storage, assembly, use, maintenance, health and safety, use-by date, etc... supplied by the manufacturer.

Likewise, where the producer be held liable for the non-conformity of the product, the user may also share the liability, insofar as he has not, from his side, checked this conformity, even if the product in question is administratively in conformity. The user is also held liable if he himself increases the fault in the product.

The liability of the manufacturer can be reduced or eliminated, taking all the circumstances into consideration, when the damage is caused jointly by the product, and by the fault of the victim or a person for whom the victim is responsible (**D. general safety of products 92/59/EEC et D. liability from the fact of faulty products 85/374/EEC**).

3 – Safety devices fitted to the doors are not intended to prevent any wilful act of the operator or persons nearby (**EN12604 §4.1.2**).

4 – The choice of options follows the type of door installed. It is the manufacturer's responsibility to ensure the compatibility of accessories according to the characteristics of the door and the conditions of use (**EN12604 § 4.2.1**).

5 – The manufacturer and / or installer must give each customer a file showing that the products used do not emit any dangerous substance beyond the maximum authorized levels, specified in the appropriate European standards or in other national specifications, in the event of fire (**EN 13241-1 §4.2.9**).

6 – The installer is required to ensure the traceability of assembly and inspection operations effectively carried out (**EN 13241-1 §6.4**).

7 – The staff of the company installing the equipment, and / or staff of the user company in charge of specific functions, such as maintenance, must be qualified, trained and certified in the case of particularly risky work, such as work under power (**D. Safety at work 89/655/EEC modified 95/63/EEC art.7 / CT art. R 233-2**).

8 – The final user must carry out the periodical yearly or twice-yearly checks, or have them carried out, with keeping of a maintenance register (**D. Safety at work - 89/655/EEC modified 95/63/EEC - art. 4b / CT R 233-1-2 and R 233-11-1**).

9 – The installation of a motorised system involves the implementation of safety dispositions in compliance with the essential requirements of health and safety, decreed by the European directives and / or regulations in force in the countries of installation (**EN12453 §5.1.1.6**).

10 – The installation of a motorised door in a blind place involves:

- either a second door (for persons to walk through)
- or a sound alarm in case of a person being trapped (**EN12453 §5.4.2**).

11 - The installation of a motorised door involves:

The installation of adequate lighting of the area where the door is installed to prevent any movement in darkness. Marking out and signalling of the danger area, at floor level (**CT R232-1-13/ EN12453 §5.1.3**).

2 - TRANSPORT

This equipment must be protected from bad weather during transport.

The original packing is designed for all types of transportation means.

The packed kit withstands stacking of 4 others automatic kits.

The liability of FERMOD ceases:

- as soon as the customer or installer opens the package or a part of the packaging,
- as soon as the package has suffered a considerable impact in such a way that it's damaged.

3 - STORAGE

This equipment must be protected from bad weather during storage.

The packed kit withstands stacking of 4 others automatic kits.

4 - MOUNTING PRECAUTIONS

Please respect the regulations that apply in the country of installation.

The volume of door or gate opening must have sufficient lighting. A lighting level of 50 lux measured at floor level must be ensured, and the opening area must be marked out on the floor. Any movement of the door or gate must be signalled by a flashing orange light visible from both sides. In France, this marking and signalling must comply with the decree of **Article R 232-1-13** of the code of labour (**decree of 21/12/1993**).

In Europe, the manufacturer and / or the installer of the door must attach the plate of overall characteristics to the door, in conformity with the instructions of standard **NF EN 13241-1- §4.6**.

Please refer to our mounting instructions.

- Check the temperature of the environment. For temperatures lower than -10°C , a low temperature command box is required.
- Check the compatibility between the Automatic Kit to be installed with the Fermatic Manual System.
- The door drive sub-assembly fixations must be well made and made of suitable material, having an appropriate resistance and be exempt from any obvious fault for their intended working life (in conformity with **EN 12604:2000,4-2-1**).



- Electrical network: 220-240V AC - 50/60 Hz.

- Connection cable section : 3G2,5 mm².

- Connect each Kit to a dedicated power line protected by a circuit breaker D curve.

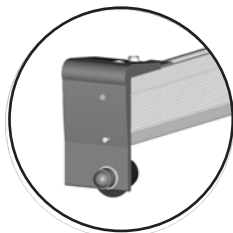
5 - CHARACTERISTICS

AUTOMATIC ELECTRONIC KIT 5000

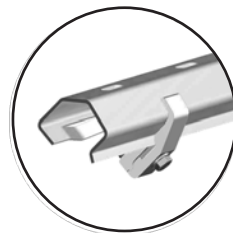
The automatic electronic kit 5000 is designed to motorize the Fermatic manual systems:



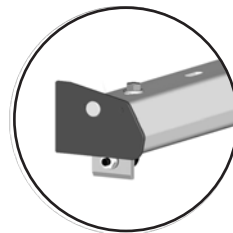
2120 / 2130 / 2150



2320 / 2420



3430



3530 / 7530

These manual systems are used for horizontal sliding doors with defined characteristics (iso-thermal, acoustical, clean room, dust-tight...).

■ Function modes

The automatic electronic kit 5000 has 5 function modes (see p 39):

- Timer 1 mode
- Standard mode
- Timer 2 mode
- «Press and hold to close the door» mode
- «Press and hold to open/close the door» mode

It has an integrated lock, a passive edgemount safety device and an horizontal safety device (according to the regulations that apply in the country of installation).

	2120	2130 2320	2150 2420	3430	3530 7530
Maxi door weight	60 Kg	80 Kg	120 Kg	150 Kg	200 Kg
Power supply	220-240V AC 400W Mono 50/60 Hz				
Protection of the motor	IP 55				
Using temperature	-30°C to +50°C <i>(For negative temperature see «option for minus temperature» - Separate mounting instructions)</i>				

■ Options

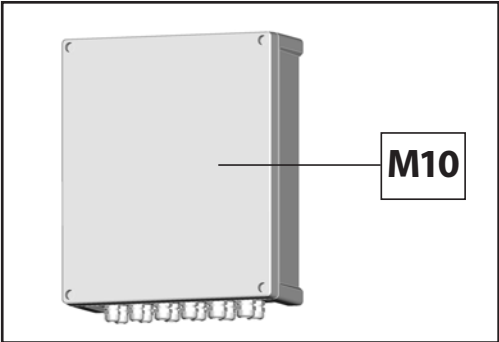
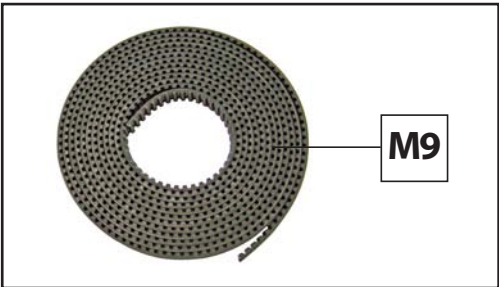
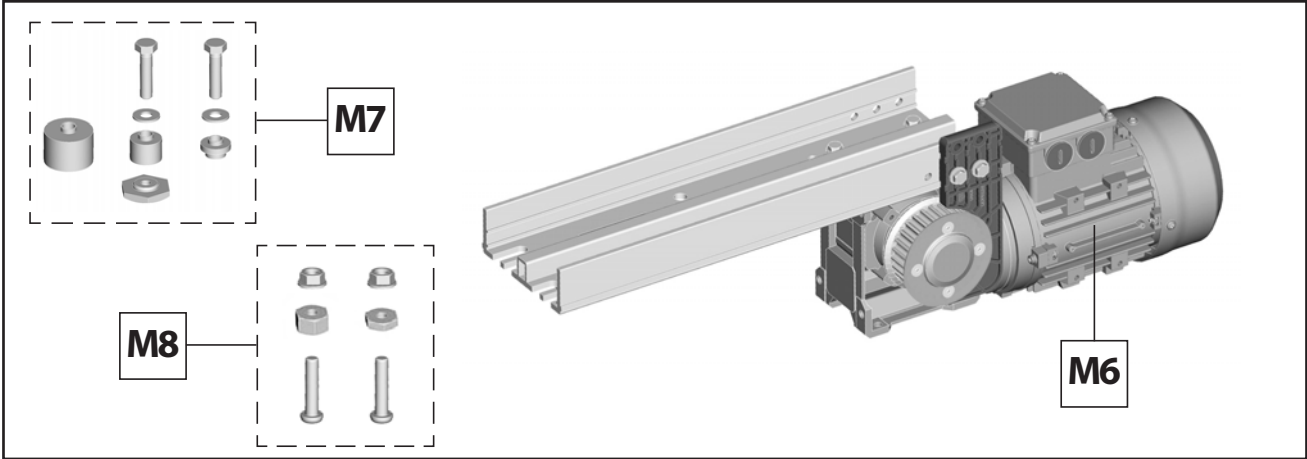
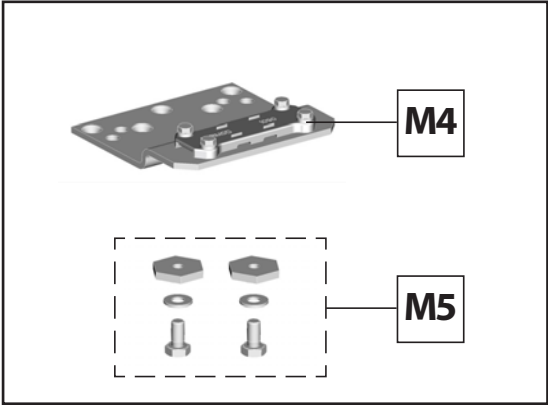
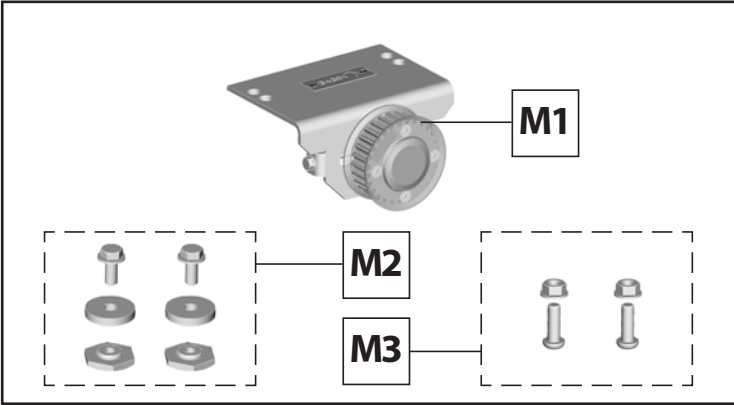
- Horizontal safety device (according to the regulations that apply in the country of installation)
- Flashing light

Please contact us for other options (resistive edgemount, pull cord...).

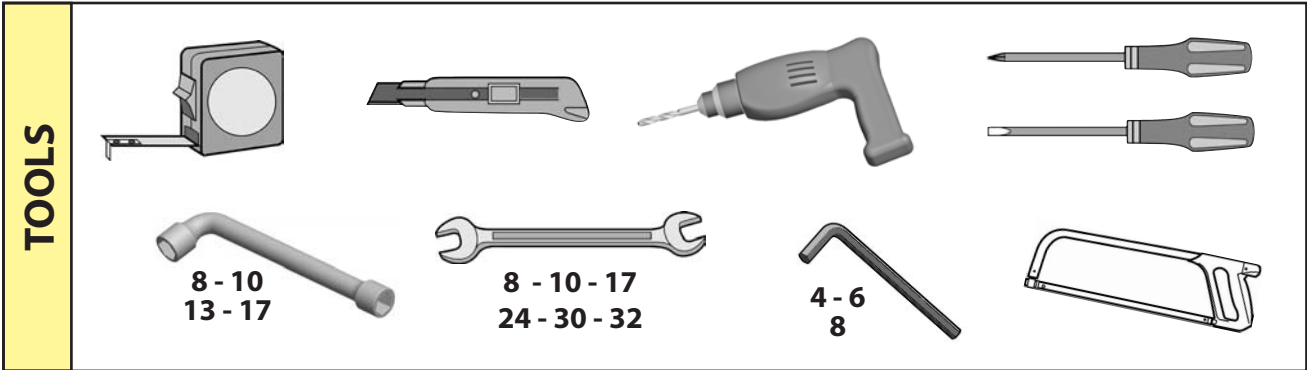
Handles :

Every handle for Fermatic manual systems fit on systems equipped with kit 5000.

Parts list / Tools

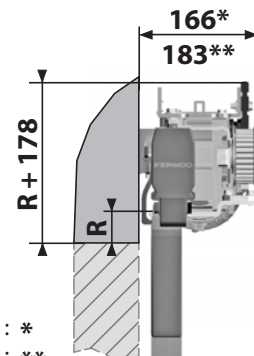
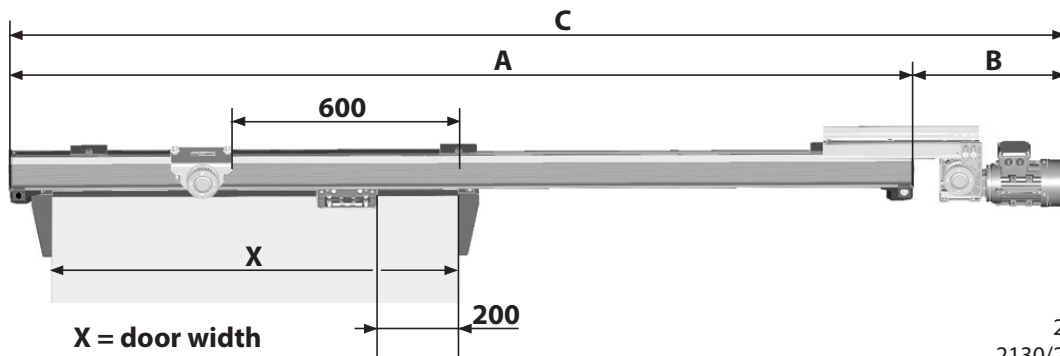


Rep	Designation
M1	Belt adjuster
M2	Adjuster screws 2120/30/50 - 2320 - 2420
M3	Adjuster screws 3430 - 3530 - 7530
M4	Door driving assembly
M5	Driving assembly screws 3430 - 3530 - 7530
M6	Motor unit
M7	Motor screws 2120/30/50 - 2320 - 2420
M8	Motor screws 3430 - 3530 - 7530
M9	Belt
M10	Command box



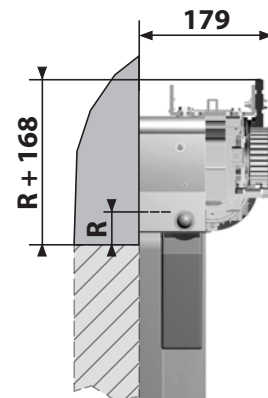
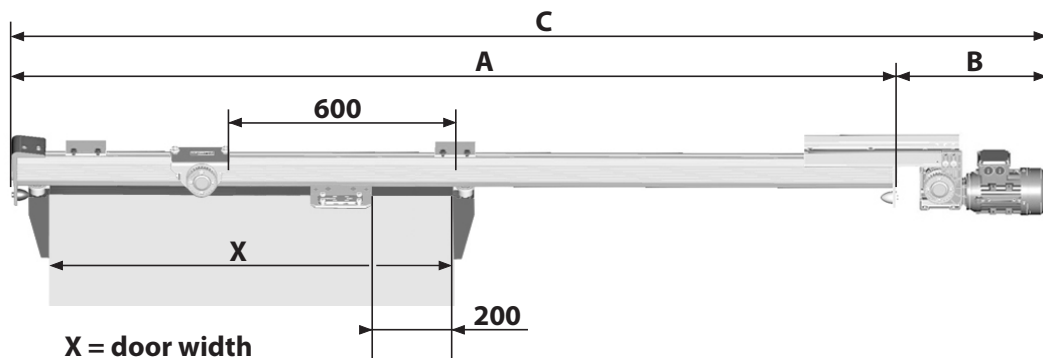
■ Dimensions

2120 / 2130 / 2150

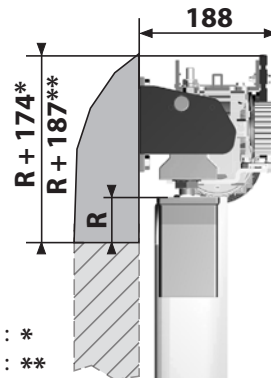
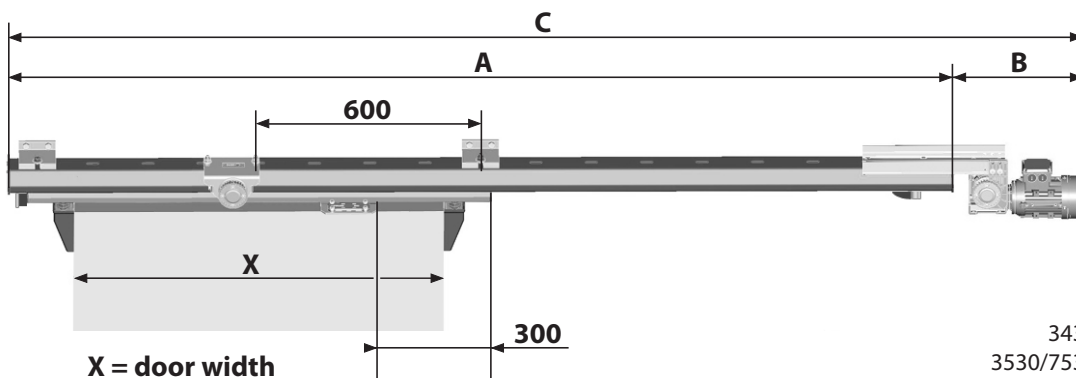


2120: *
2130/2150: **

2320 / 2420



3430 / 3530 / 7530



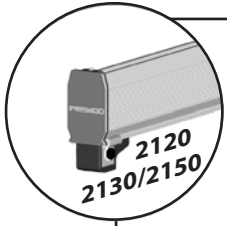
3430: *
3530/7530: **

		2120 2130	2150	2320	2420	3430 / 3530 / 7530							
X	mini	900	900	900	900	3431	3432	3433	3434	3435	3436	3537	3538
	maxi	2600	2600	2600	2595	3531	3532	3533	3534	3535	3536	7537	7538
A		2X + 224	2X + 224	2X + 190	2X + 200	7531	7532	7533	7534	7535	7536		
B		377	347	370	365	840	1141	1441	1741	2041	2341	2641	2941
C		2X + 601	2X + 571	2X + 560	2X + 565	1140	1440	1740	2040	2340	2640	2940	3240
						2550	3150	3750	4350	4950	5550	6150	6750
						355 (Fermatic 3430) / 360 (Fermatic 3530-7530)							
					3530	2905	3505	4105	4705	5305	5905	6505	7105
					3430	2910	3510	4110	4710	5310	5910	6510	7110

6 - MOUNTING ONTO FERMATIC 2120 / 2130 / 2150 - 2320 / 2420 SYSTEMS

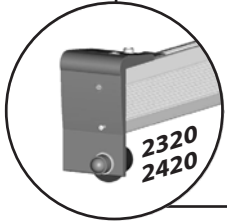
MOUNTING ONTO 3430 / 3530 / 7530 SYSTEMS See page 15

CAUTION



- Installation of the Kit 5000 **is the same regardless of the opening side of the door**. It's recommended to install the motor **right side of the rail**.
- Motor can be mounted in standard or 90° direction.

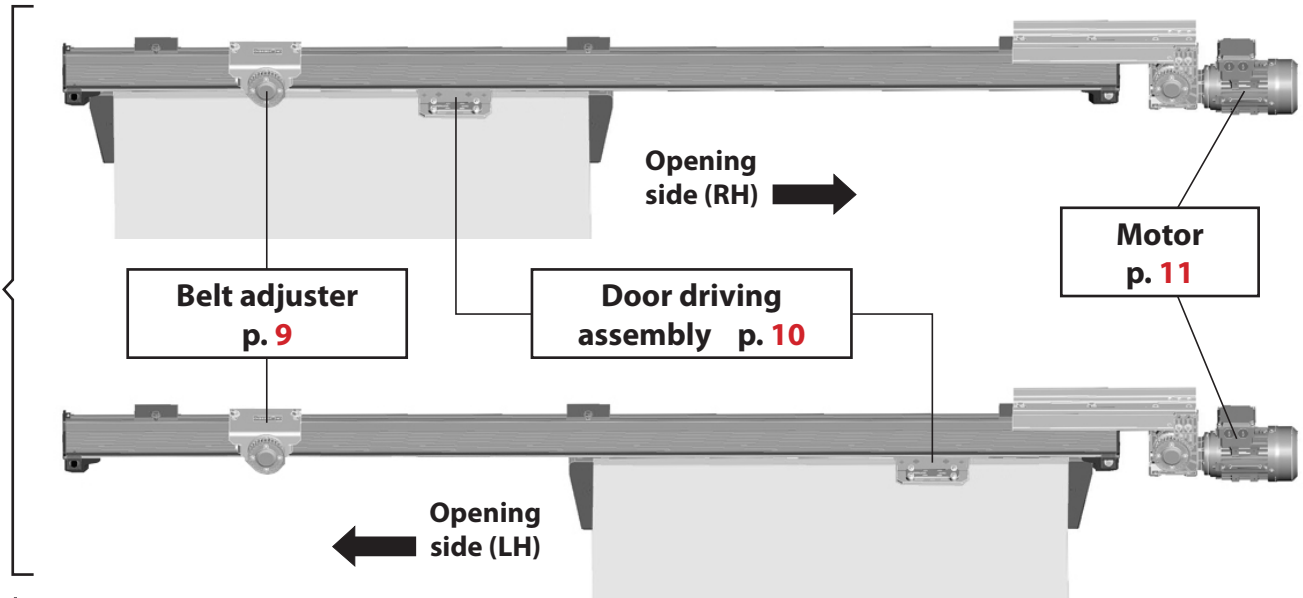
90° MOTOR MOUNTING See page 26



- Depending on the system installation, the space available in the right end rail can be short for mounting the motor in its standard configuration. In that event it's possible to mount the motor left side of the rail.

LEFT SIDE MOTOR MOUNTING See page 28

STANDARD MOUNTING



■ Screws

M1

M2

M3

M4

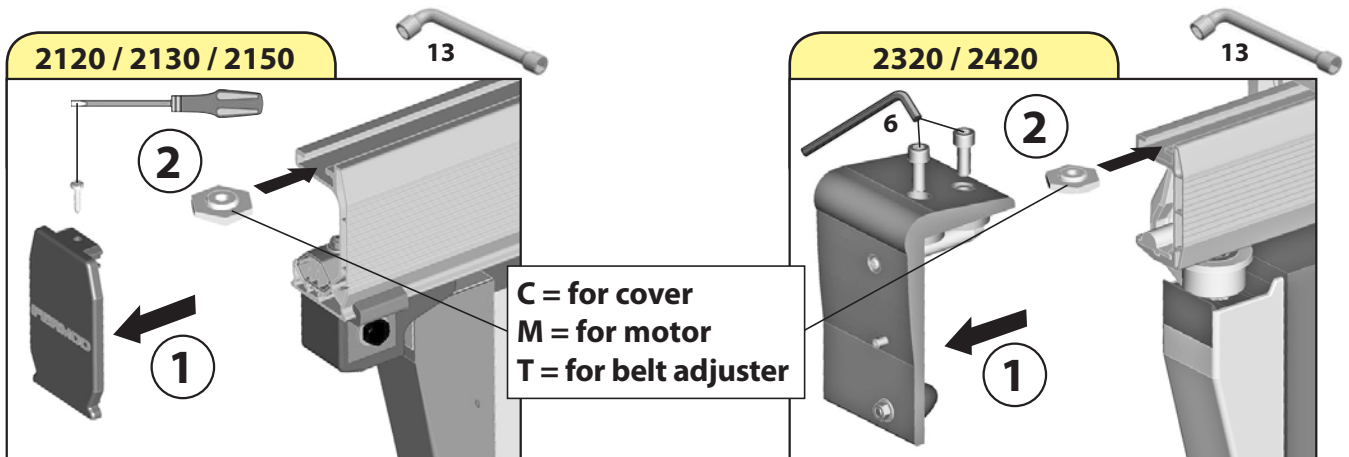
5 countersunk screws Ø8 NOT SUPPLIED

M6

M7

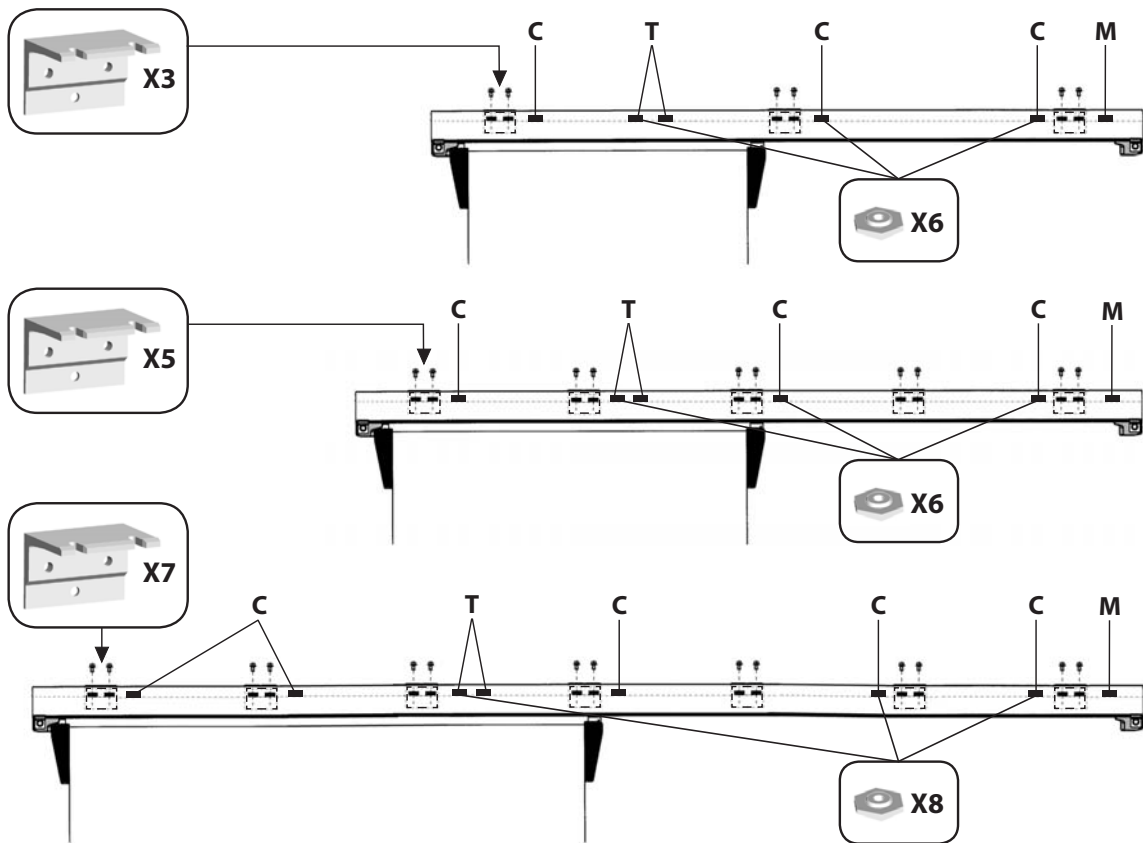
M8

6.1 RAIL PREPARING

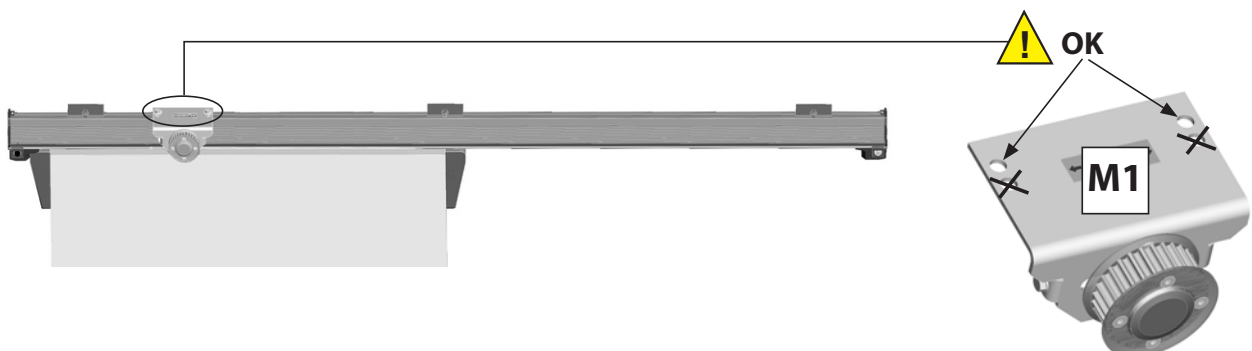


1 - Remove the 2 end covers.

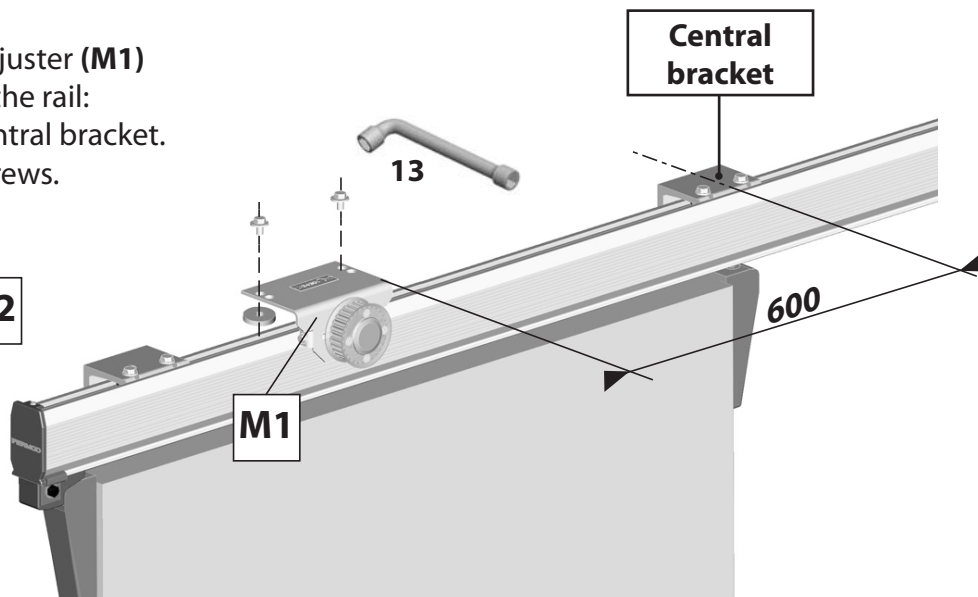
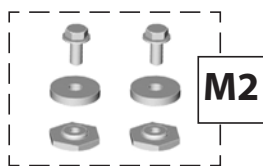
2 - Insert the screws into the upper groove of the rail (see drawings below).



6.2 BELT ADJUSTER

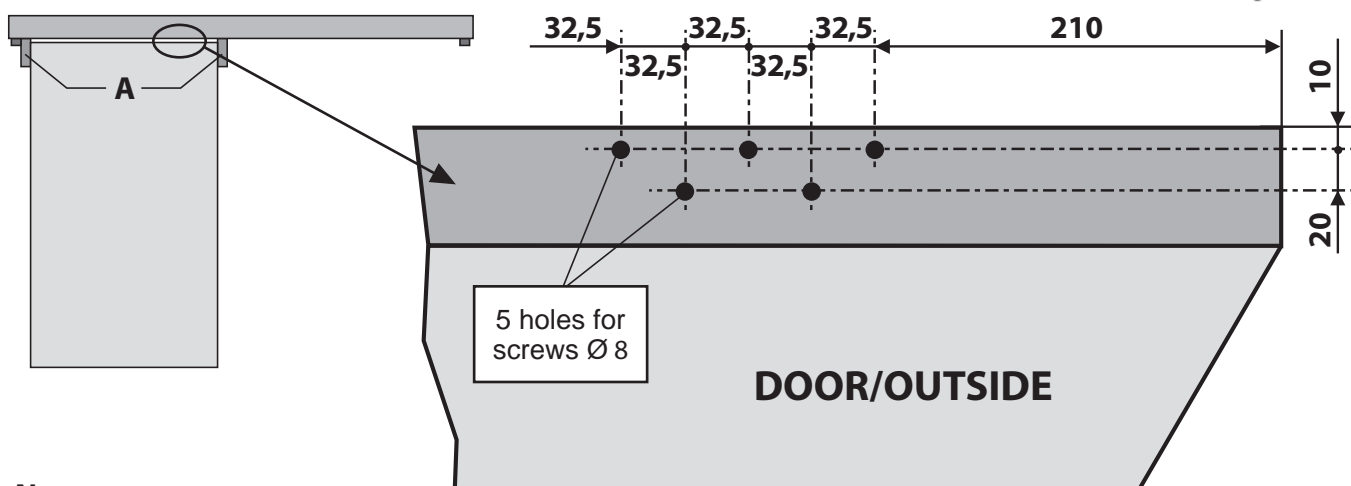


- 1 - Fix the belt adjuster (M1) on the top of the rail: **600mm** to central bracket. Block the 2 screws.



6.3 DOOR DRIVING ASSEMBLY

Drilling



Nota :

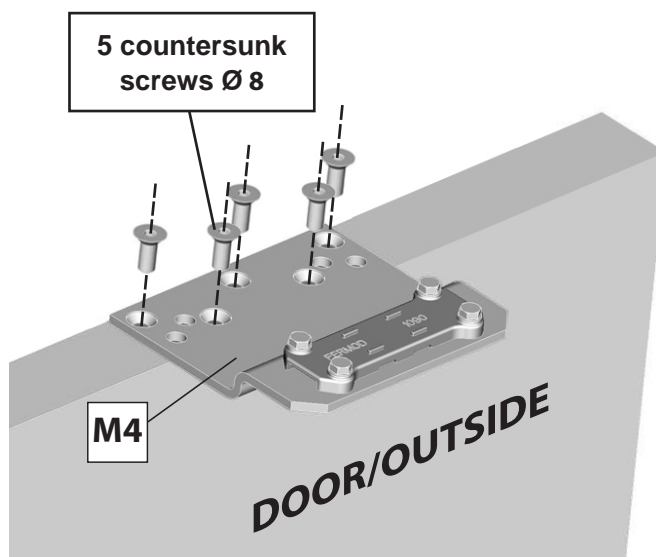
When mounting a Kit 5000 onto a manual Fermatic system already installed: wedge the door, unscrew the 2 door brackets (A) and push them aside to access the upper edge of the door.

Fixing

- 1 - Fix door driving assembly (M4) on the top of the door with 5 countersunk screws $\varnothing 8$ (screws not supplied).
- 2 - Block the screws.

Nota :

When mounting a Kit 5000 onto a manual Fermatic system already installed: mount the 2 door brackets (A) and block them. Remove the blocks.

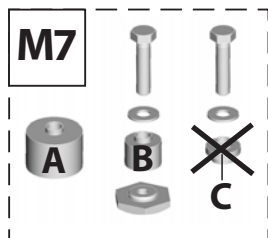
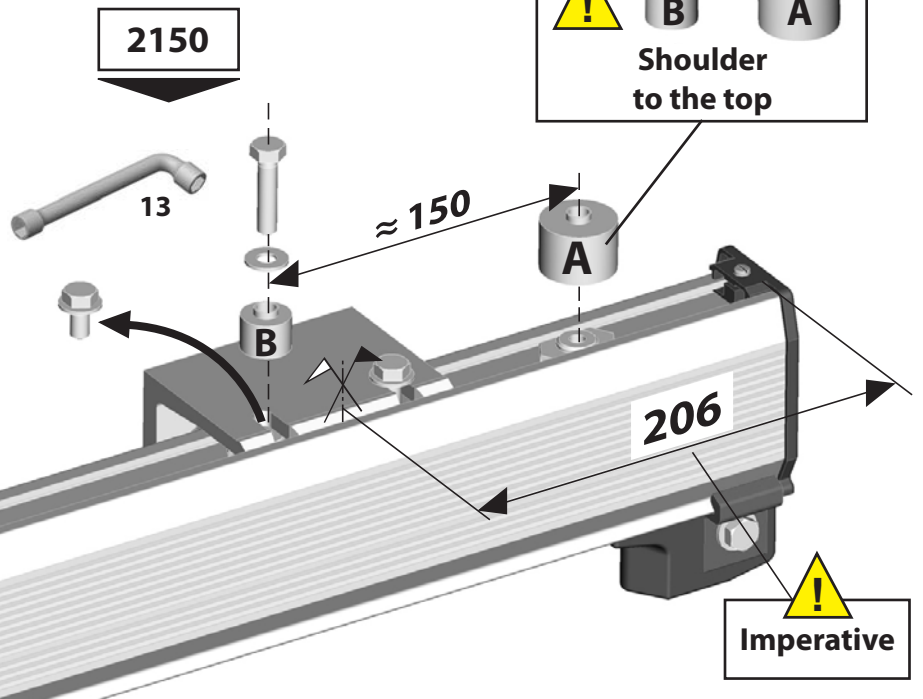
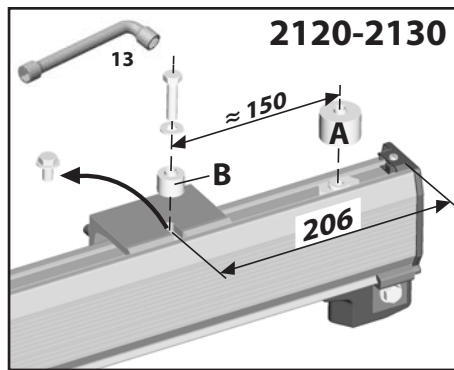


6.4 MOTOR

90° MOTOR MOUNTING See page **26**

LEFT SIDE MOTOR MOUNTING See page **28**

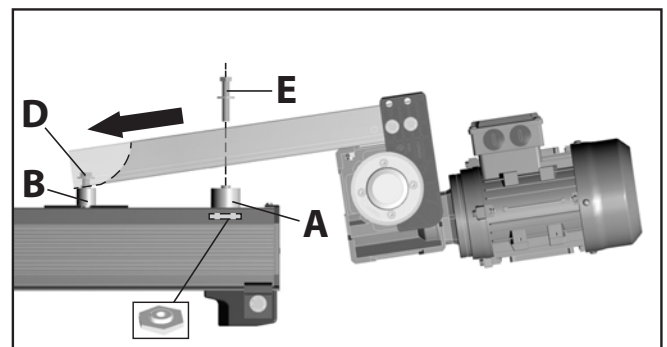
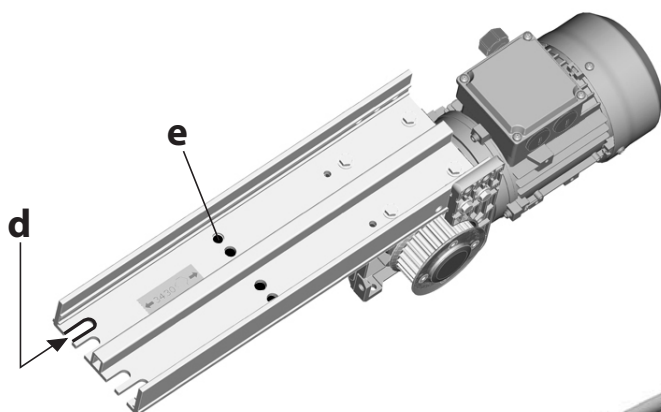
2120 / 2130 / 2150 SYSTEMS



1 - Right side of the rail, remove the screw of the end bracket (2120/2130 systems).
2150 system : remove the left screw of the end bracket.

2 - Replace it with spacer (B) from small bag (M7).
Fix spacer with a screw, do not drive the screw.

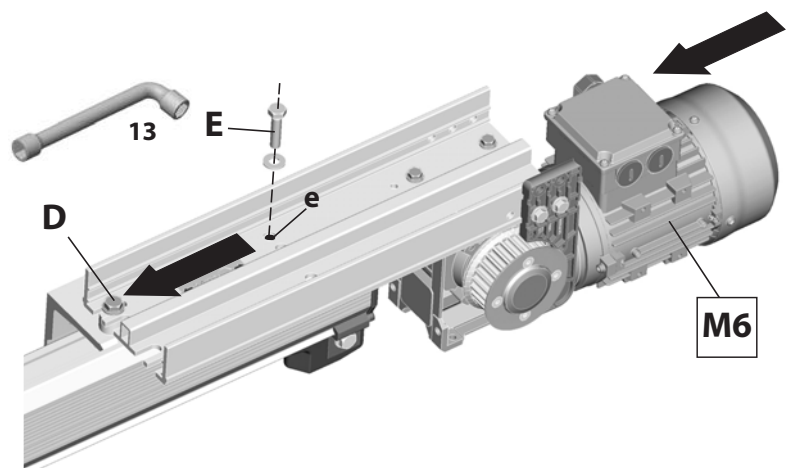
3 - Position spacer (A) on the rail aligning with nut which is into the upper groove of the rail.



4 - Lift the washer and engage the screw (D) into slot (d) of motor bracket.

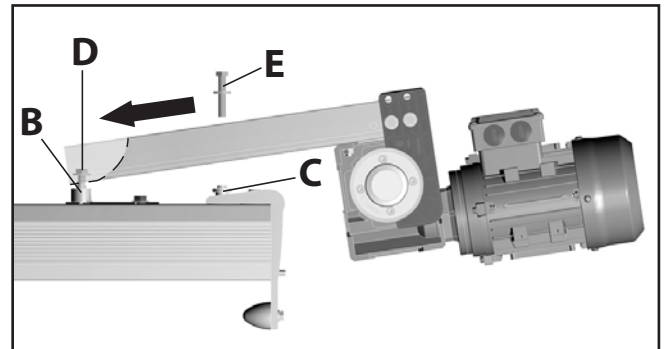
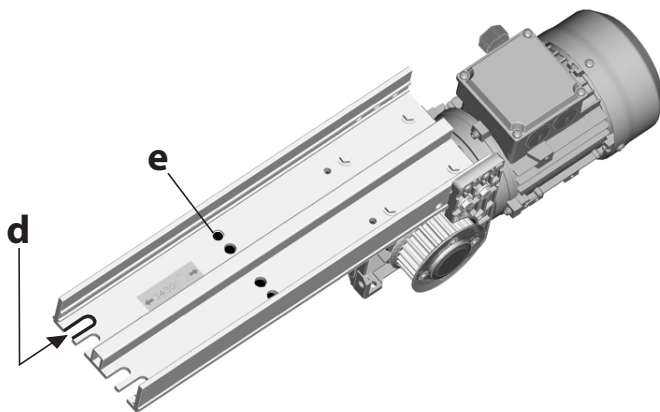
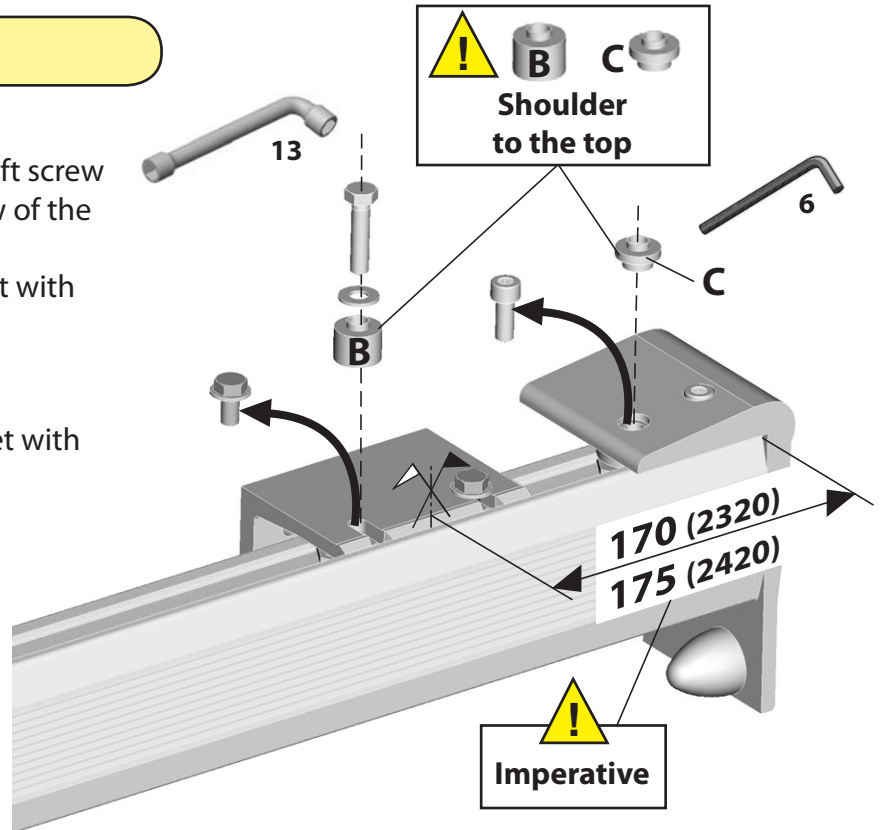
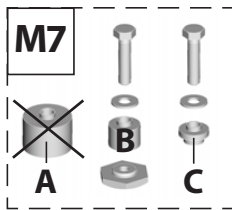
5 - Align spacer (A) and its nut with hole (e) of motor bracket.

6 - Engage the second screw (E) from small bag (M7) into hole (e) of motor bracket. Block the 2 screws.

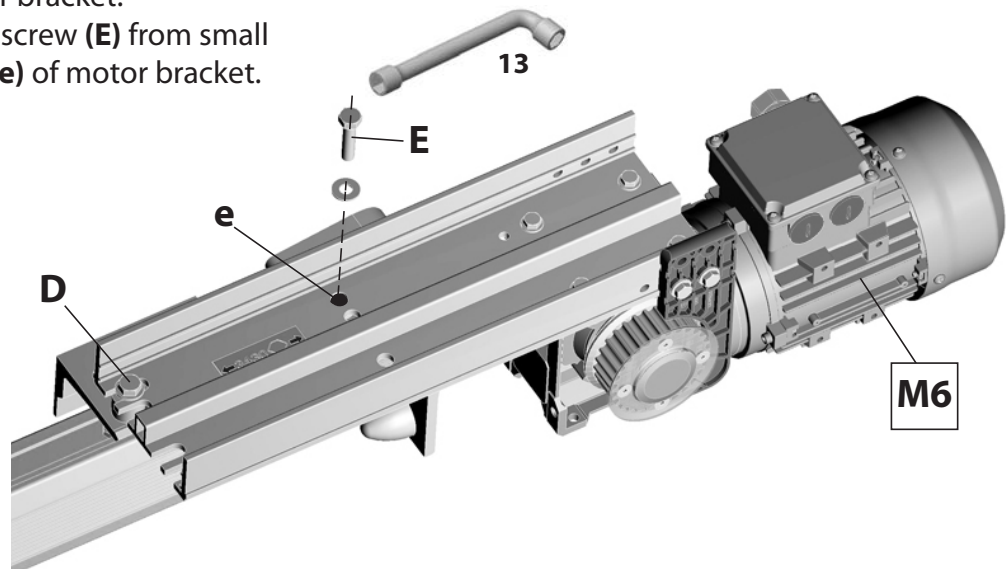


2320 / 2420 SYSTEMS

- 1 - Right side of the rail**, remove the left screw of the end bracket and the left screw of the butt bracket.
- Replace the screw of the end bracket with spacer **(B)** from small bag **(M7)**.
Fix spacer with a screw, do not drive the screw.
- Replace the screw of the butt bracket with spacer **(C)**.



- Lift the washer and engage the screw **(D)** into slot **(d)** of motor bracket.
- Engage the second screw **(E)** from small bag **(M7)** into hole **(e)** of motor bracket.
Block the 2 screws.



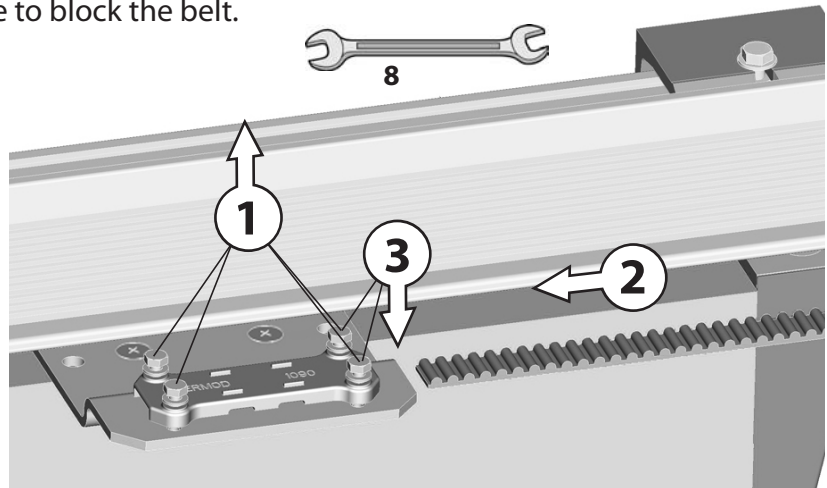
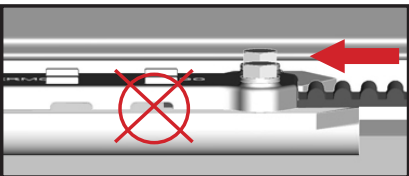
6.5 BELT

■ Link belt/door

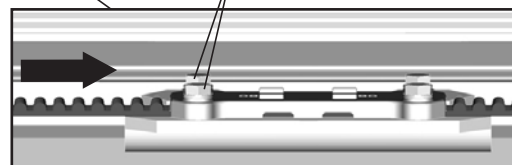
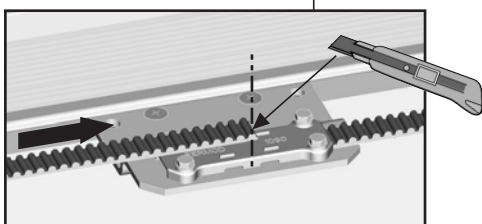
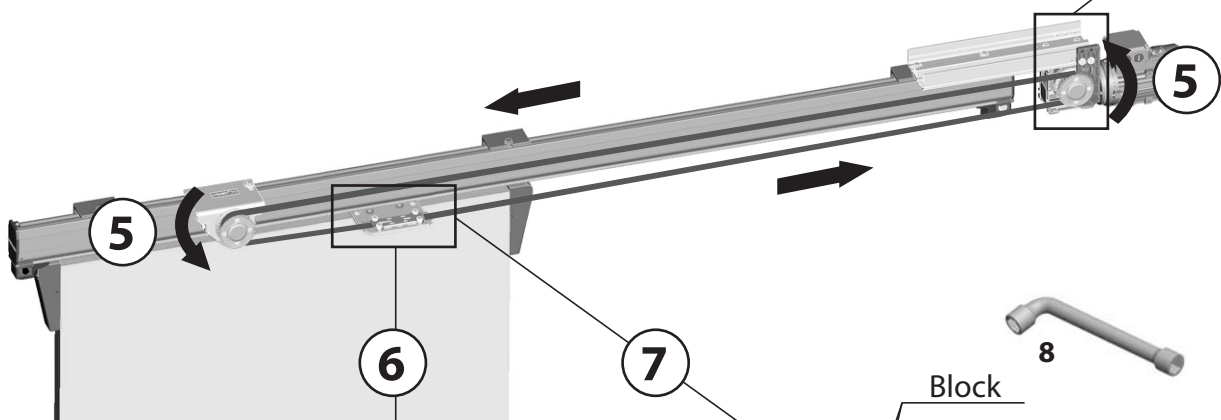
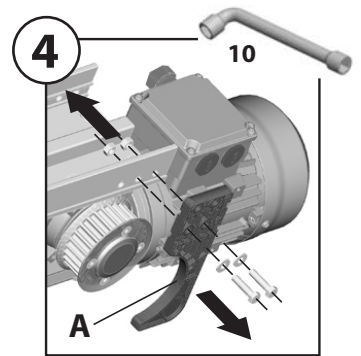
- 1 - Unscrew the 4 screws of the driving assembly flange.
- 2 - Engage the belt into the flange to its middle.
- 3 - Tighten the 2 screws of the flange to block the belt.



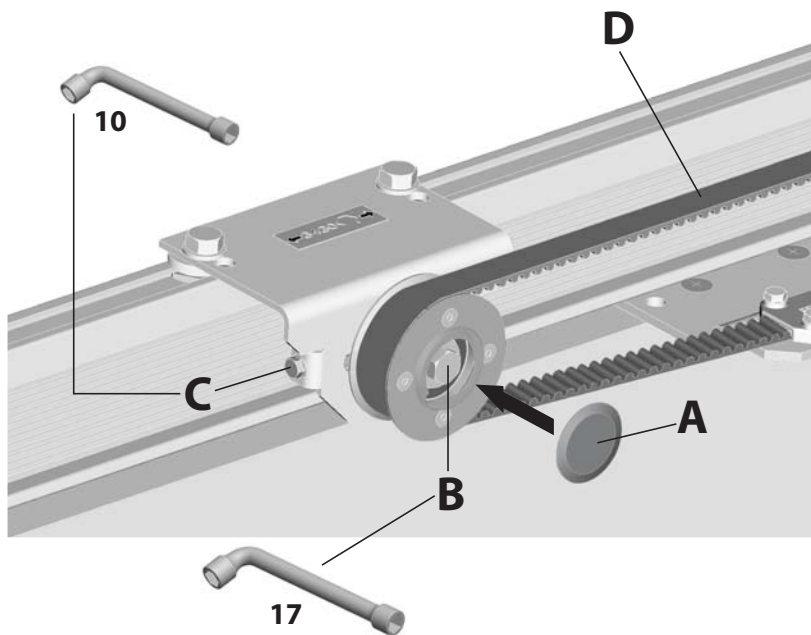
OK



- 4 - Remove the belt guide (A).
- 5 - Engage the belt around the motor pulley, then around the belt adjuster pulley.
- 6 - Tighten the belt. Cut the belt at the middle of the driving assembly flange.
- 7 - Engage the belt into the flange as seen above (1).
Tighten the 2 screws of the flange to block the belt.
- 8 - Mount the belt guide (A).

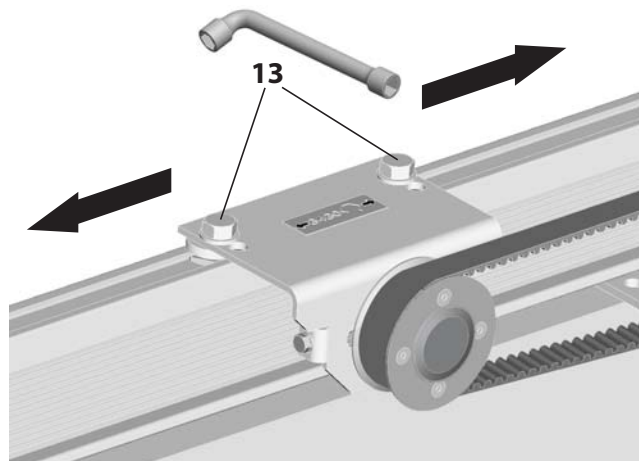


Tighten the belt



- 1 - Remove cover (A) with a screwdriver
- 2 - Loosen screw (B) of about 1/4turn
- 3 - Tighten the screw (C) of the belt adjuster to tighten the belt: the upper strand (D) must be horizontal.
- 4 - When the belt is tensioned, block the screw (B) .
- 5 - Mount cover (A).

Nota :
The belt adjuster may be moved laterally as necessary.

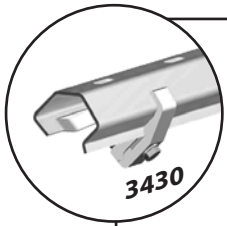


PASSIVE EDGEMOUNT SECURITY.....	Voir page 31
COMMAND BOX/WIRING/PARAMETERS	Voir page 32

7 - MOUNTING ONTO FERMATIC 3430 / 3530 / 7530 SYSTEMS

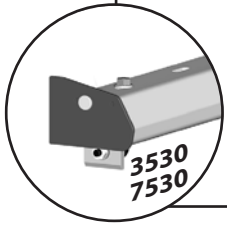
MOUNTING ONTO 2120 / 2130 / 2150 - 2320 / 2420 SYSTEMS See page 8

CAUTION



- Installation of the Kit 5000 **is the same regardless of the opening side of the door**. It's recommended to install the motor **right side of the rail**.
- Motor can be mounted in standard or 90° direction.

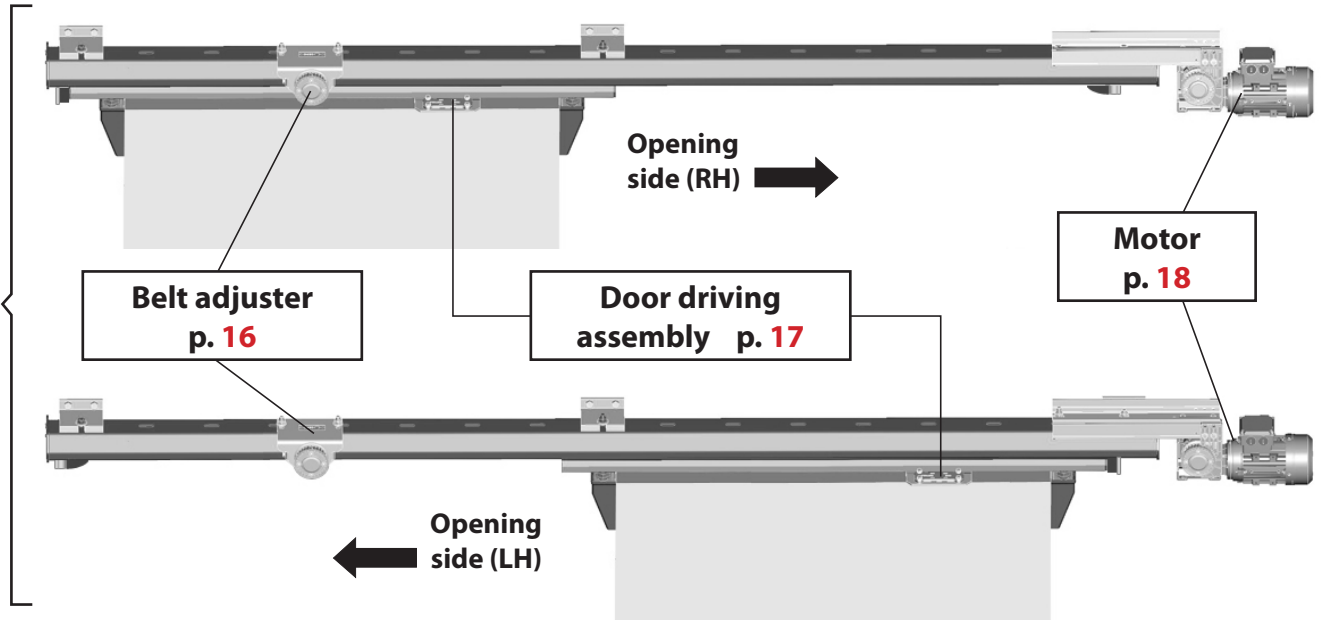
90° MOTOR MOUNTING See page 26



- Depending on the system installation, the space available in the right end rail can be short for mounting the motor in its standard configuration. In that event it's possible to mount the motor left side of the rail.

LEFT SIDE MOTOR MOUNTING See page 28

STANDARD MOUNTING



■ Screws

M1

~~M2~~

M3

M4

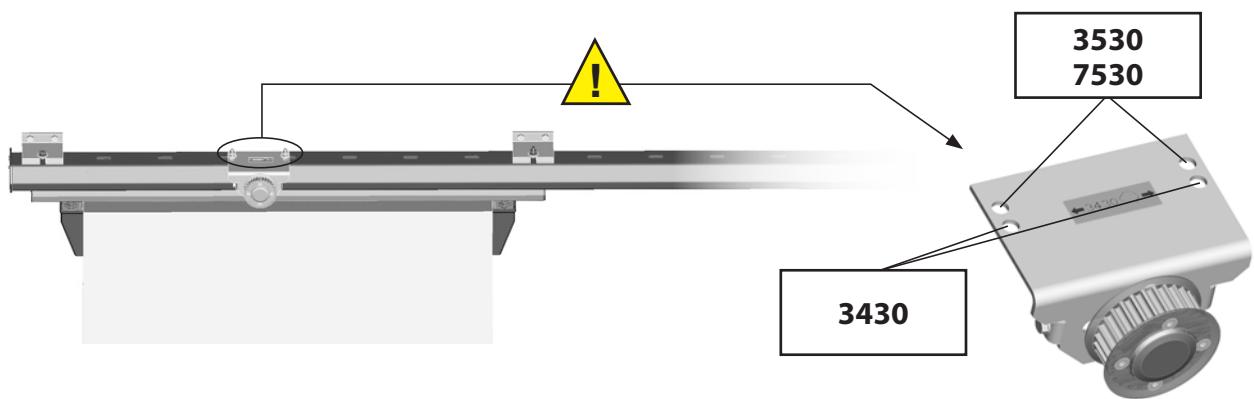
M5

M6

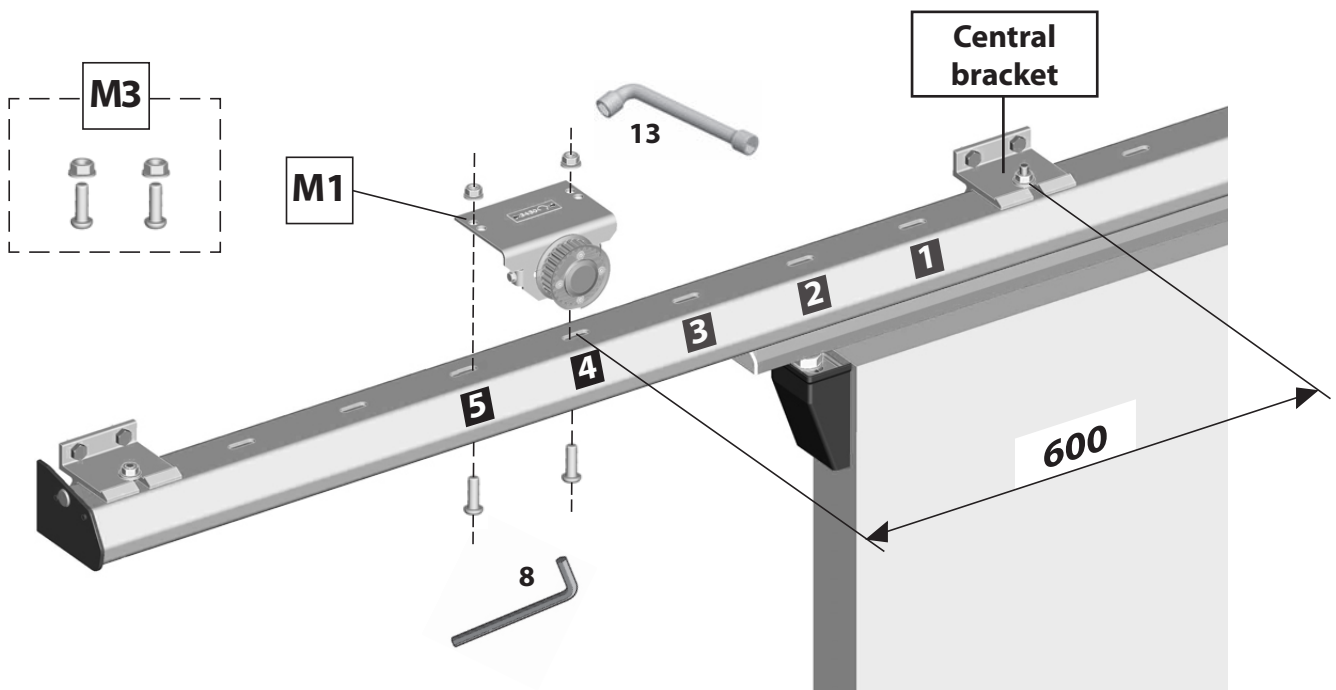
~~M7~~

M8

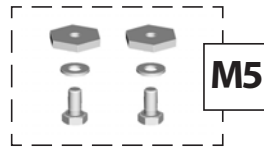
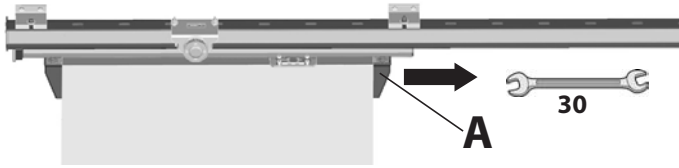
7.1 BELT ADJUSTER



- 1 - Insert the 2 screws from small bag (**M3**) into 2 slots of the rail: 600mm (4th and 5th slot) **to central bracket** (see drawing below).
- 2 - Fix the belt adjuster (**M1**) on the top of the rail. Block the 2 screws.

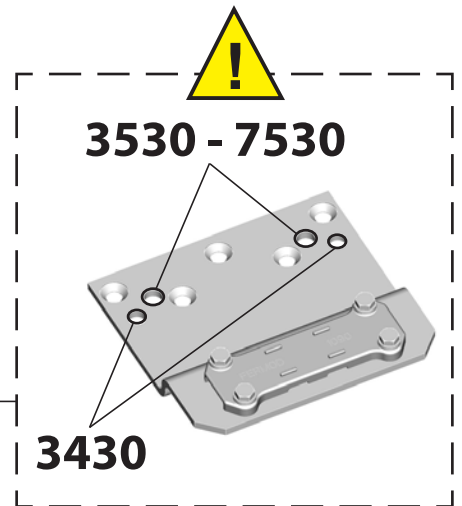
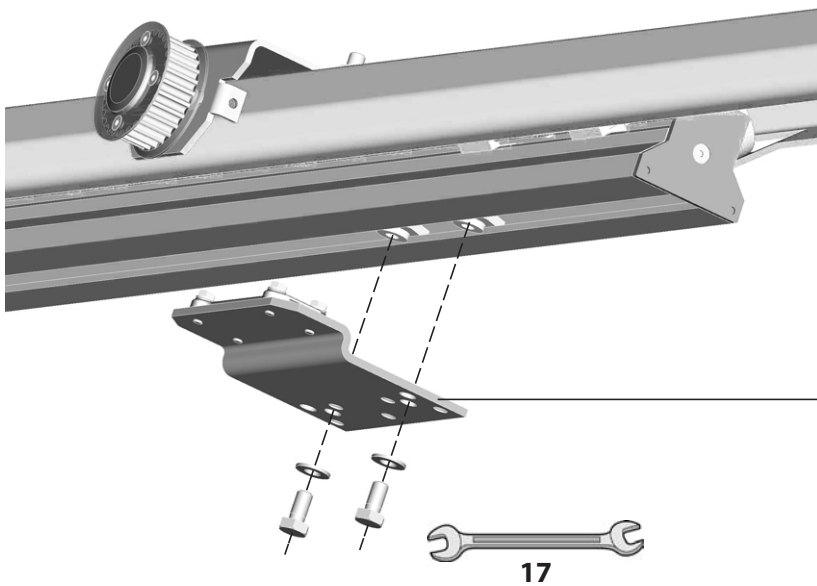
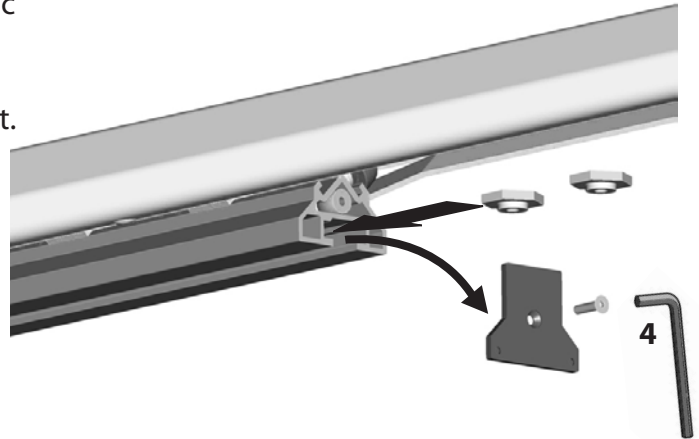


7.2 DOOR DRIVING ASSEMBLY



When mounting a Kit 5000 onto a manual Fermatic system already installed:

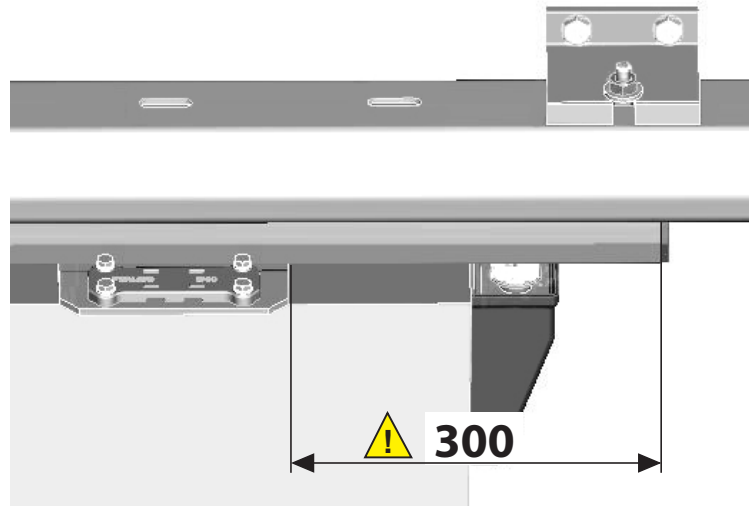
- 1 - Wedge the door.
- 2 - Remove the right end cover of the mobile part.
- 3 - Unscrew the door bracket/right side (**A**) to remove it .
- 4 - Insert the 2 nuts from small bag (**M5**) into the groove of the mobile part.



- 5 - Fix the door driving assembly (**M4**) under the mobile part with the 2 screws and washers from (**M5**).

! Dimension **300 mm** imperative.

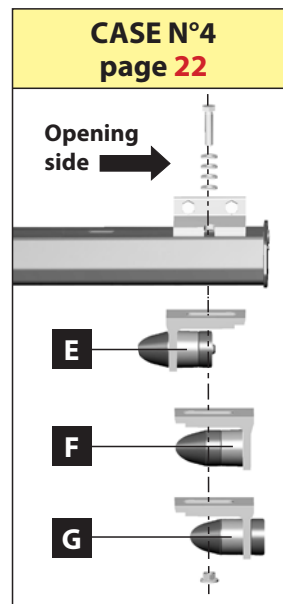
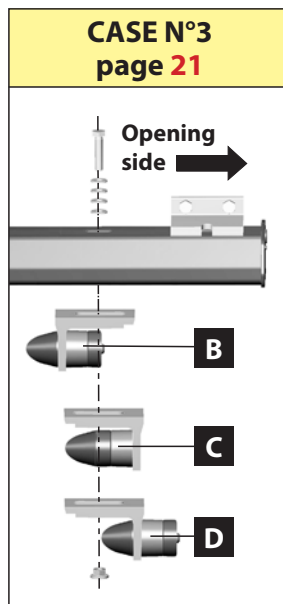
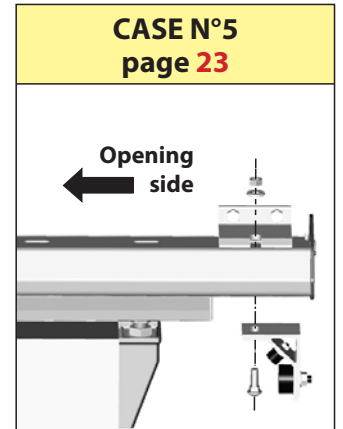
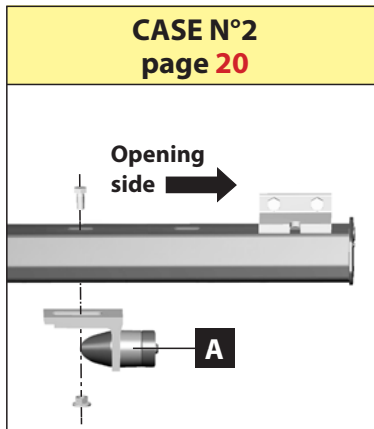
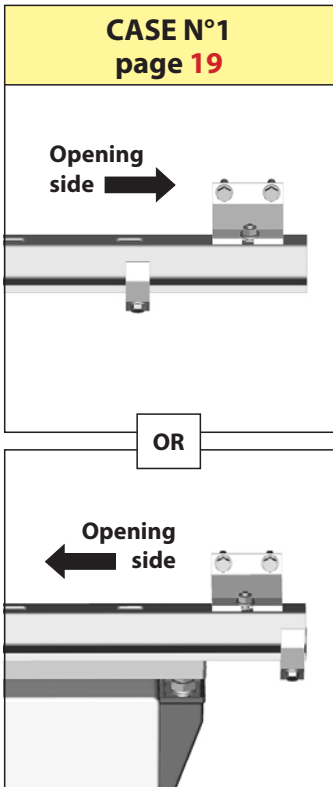
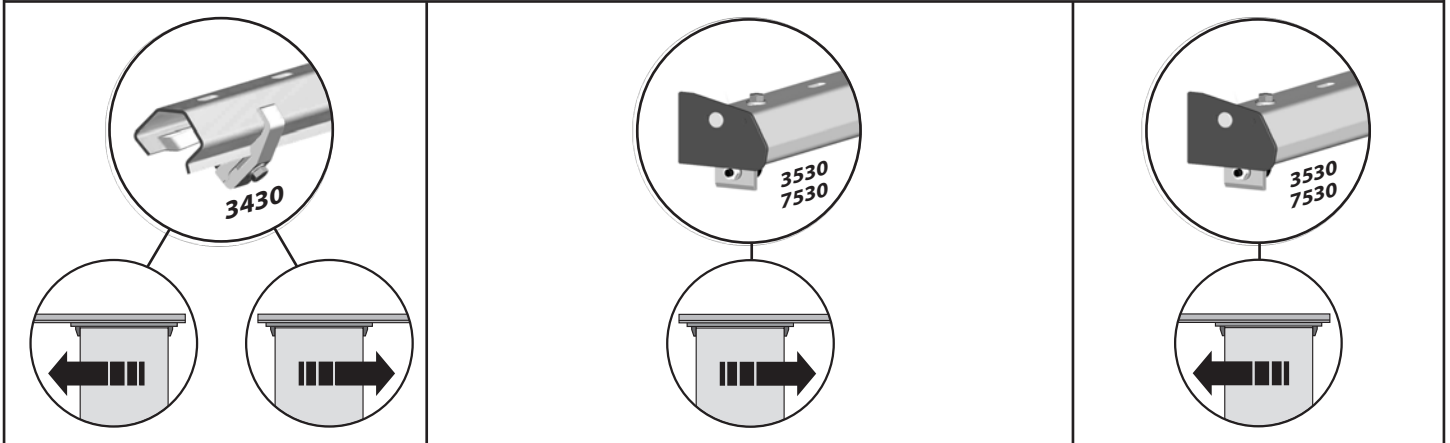
- 6 - Mount the door bracket.
- 7 - Mount the end cover.
Remove the blocks.



7.3 MOTOR

90° MOTOR MOUNTING See page **26**
 LEFT SIDE MOTOR MOUNTING See page **28**

The motor mounting depends on Manual Fermatic system (3430 or 3530/7530) and butt model mounted onto the rail.
 There are 5 different ways to mount the motor:

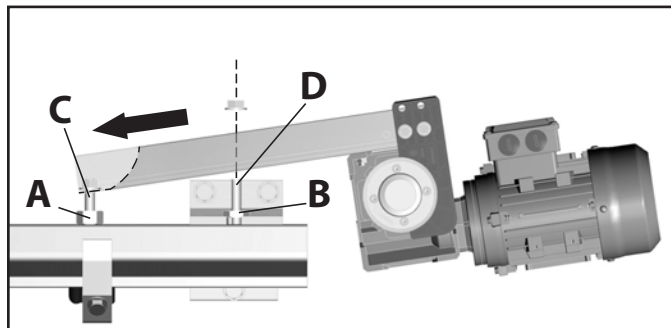
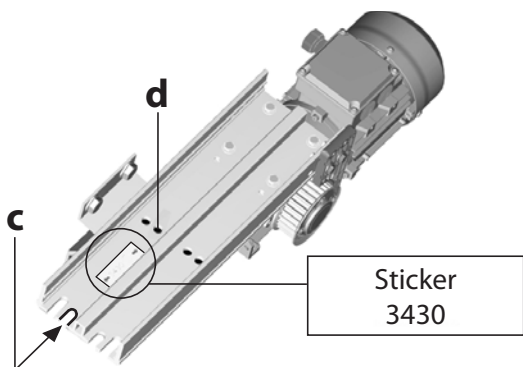
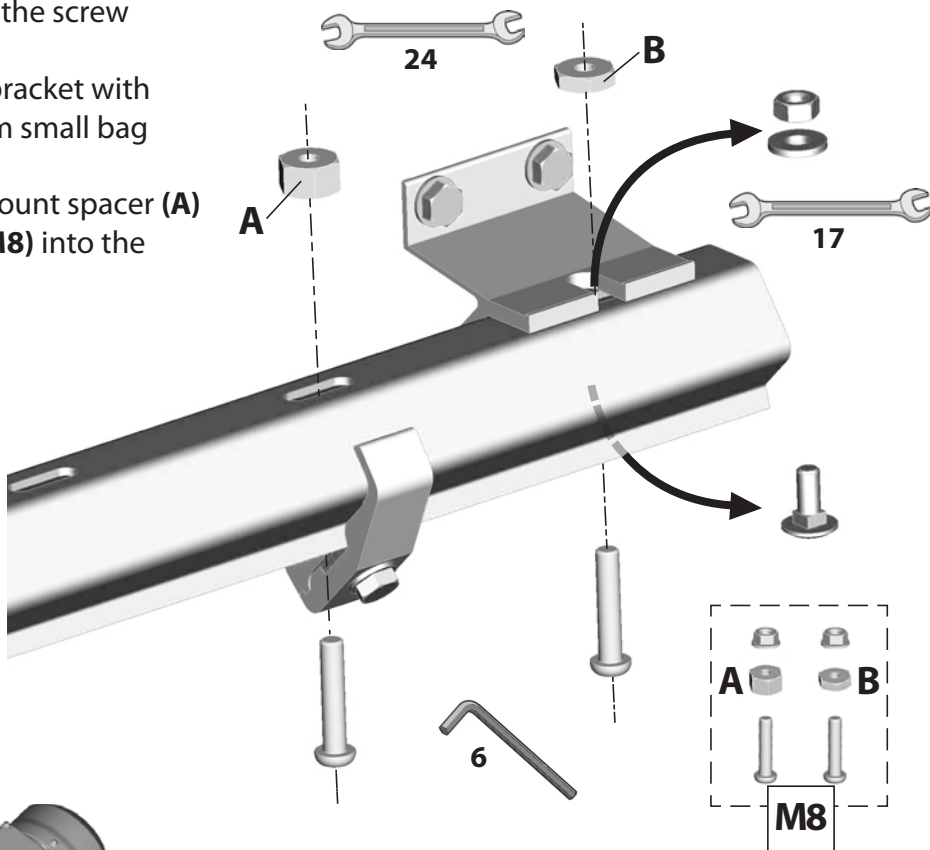
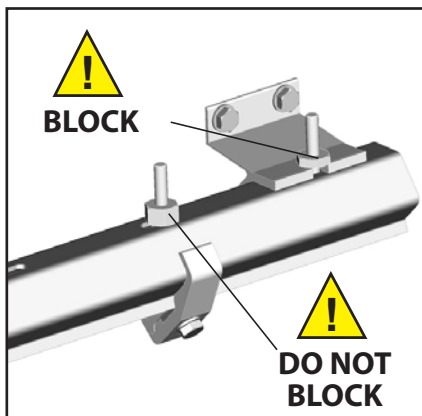


CASE N°1 - FERMATIC 3430

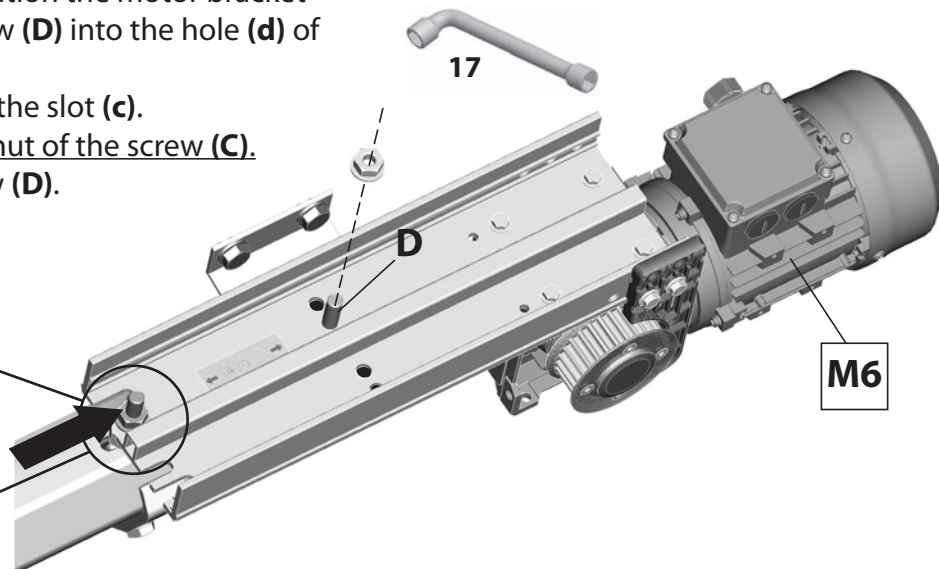
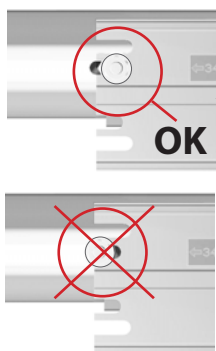


PUSH THE DOOR LEFT SIDE

- 1 - **Right side of the rail**, remove the screw of the end bracket.
- 2 - Replace the screw of the end bracket with a screw and the spacer (B) from small bag (M8). Block screw and spacer.
- 3 - Left side of the end bracket, mount spacer (A) with the second screw from (M8) into the first hole of the rail. Do not block.



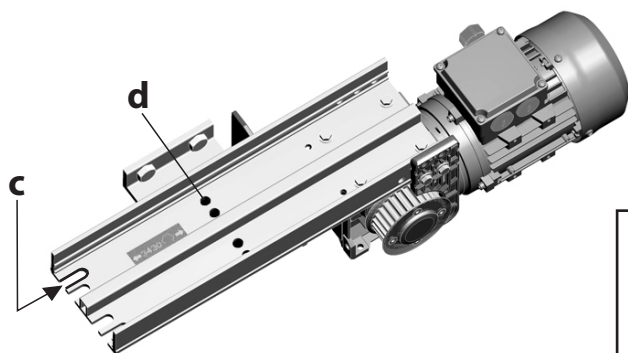
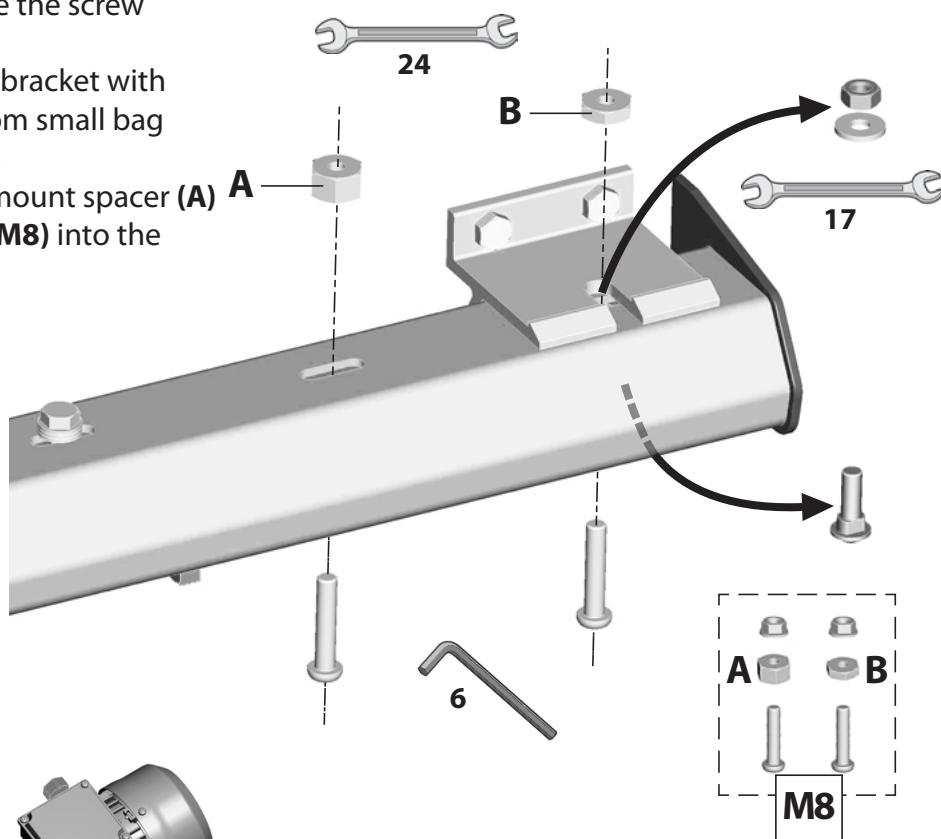
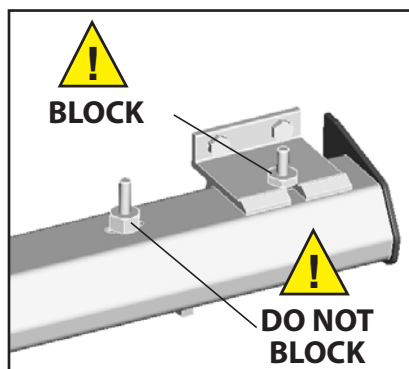
- 4 - Engage a nut and a washer from small bag (M8) on screw (C).
- 5 - Tip the motor bracket to engage the screw (C) in the slot (c) and position the motor bracket by engaging the screw (D) into the hole (d) of the bracket.
- 6 - Push the screw (C) in the slot (c).
- 7 - **Block spacer (A) and nut of the screw (C).**
- 7 - Block the nut of screw (D).



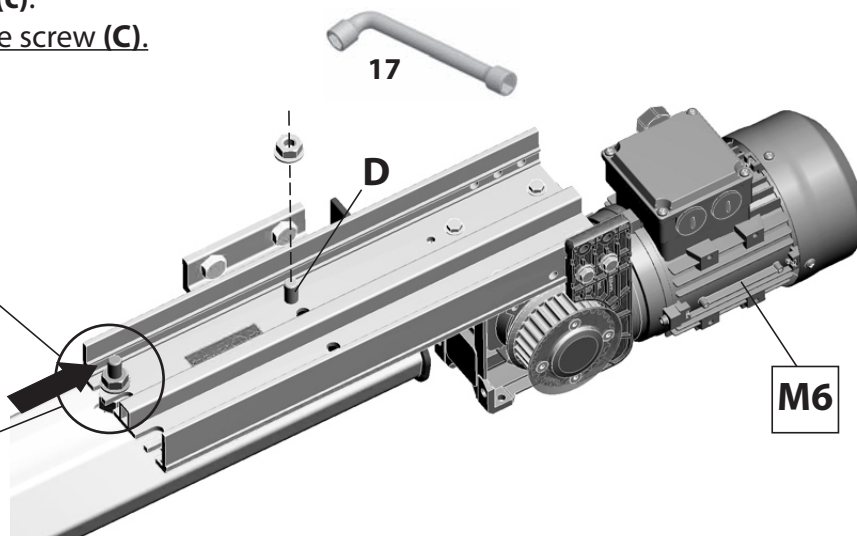
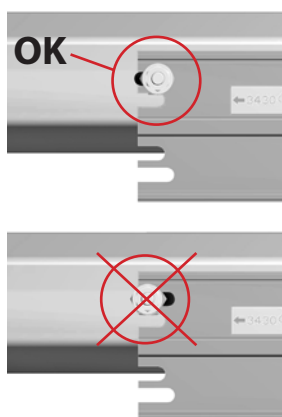
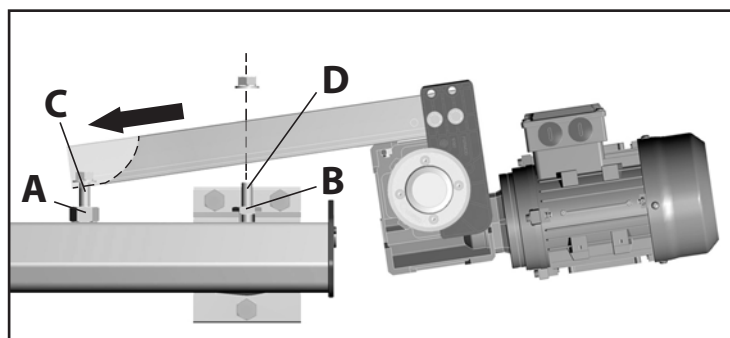
CASE N°2 - FERMATIC 3530 / 7530

! DOOR CLOSED

- 1 - Right side of the rail**, remove the screw of the end bracket.
- Replace the screw of the end bracket with a screw and the spacer **(B)** from small bag **(M8)**. Block screw and spacer.
- Left side of the end bracket**, mount spacer **(A)** with the second screw from **(M8)** into the first hole of the rail. Do not block.



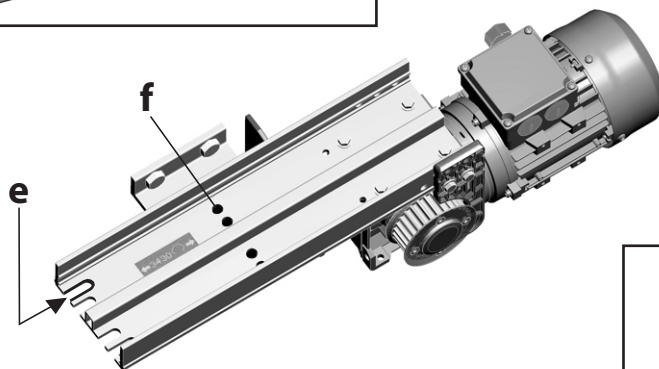
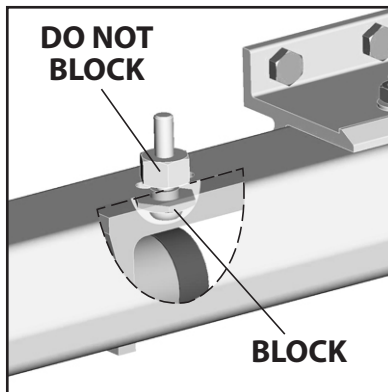
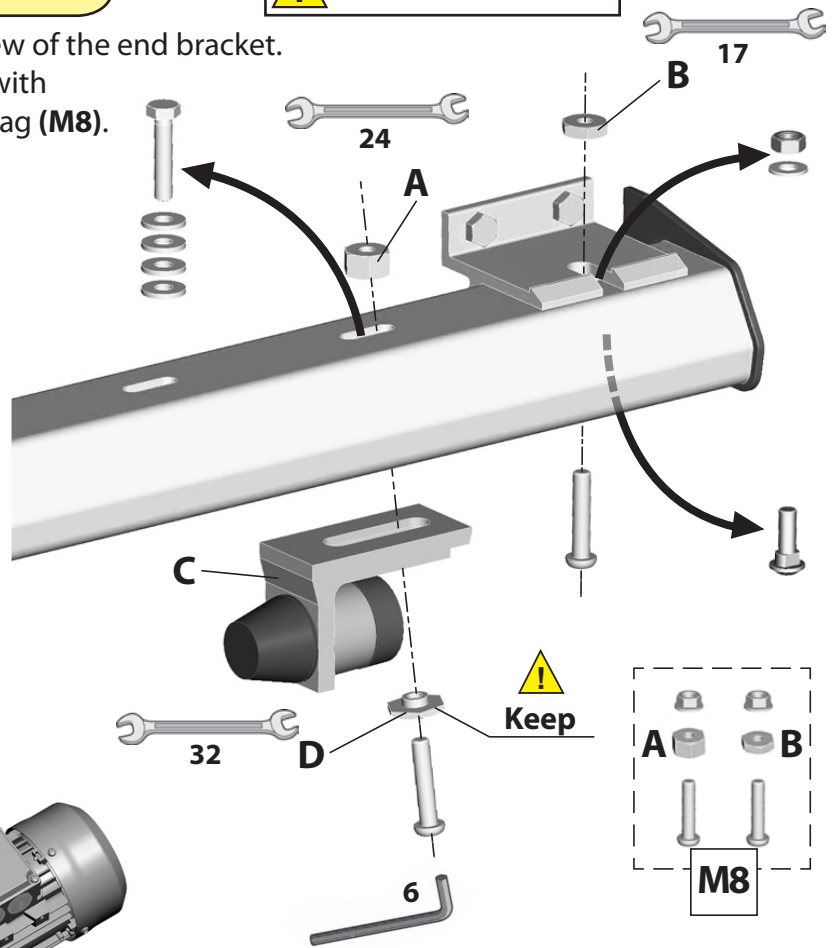
- Engage a nut and a washer from small bag **(M8)** on screw **(C)**.
- Tip the motor bracket to engage the screw **(C)** in the slot **(c)** and position the motor bracket by engaging the screw **(D)** into the hole **(d)** of the bracket.
- Push the screw **(C)** in the slot **(c)**.
- ! Block spacer **(A)** and nut of the screw **(C)**.**
- Block the nut of screw **(D)**.



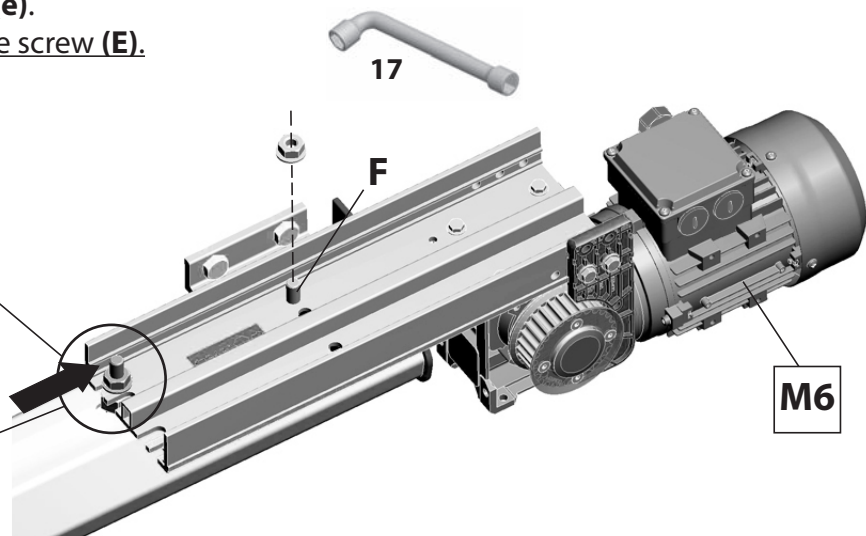
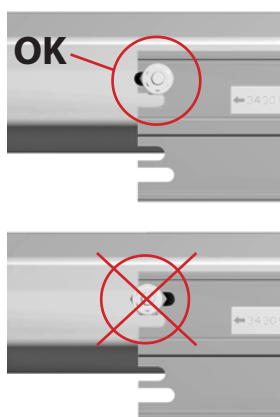
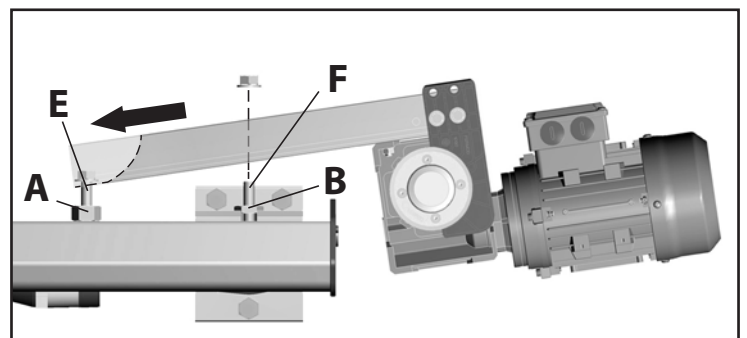
CASE N°3 - FERMATIC 3530 / 7530

! DOOR CLOSED

- 1 - **Right side of the rail**, remove the screw of the end bracket.
- 2 - Replace the screw of the end bracket with a screw and the spacer (**B**) from small bag (**M8**). Block screw and spacer.
- 3 - Remove butt/opening side (**C**). Keep its fixing nut (**D**).
- 4 - Block nut (**D**) on a screw from (**M8**).
- 5 - Mount butt/opening side (**C**) with the screw and nut (**D**) and spacer (**A**). Do not block.



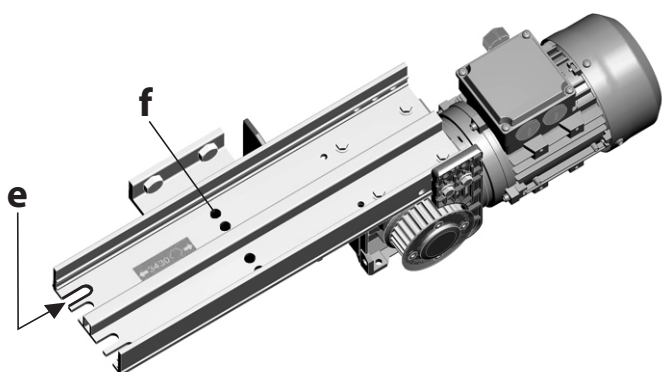
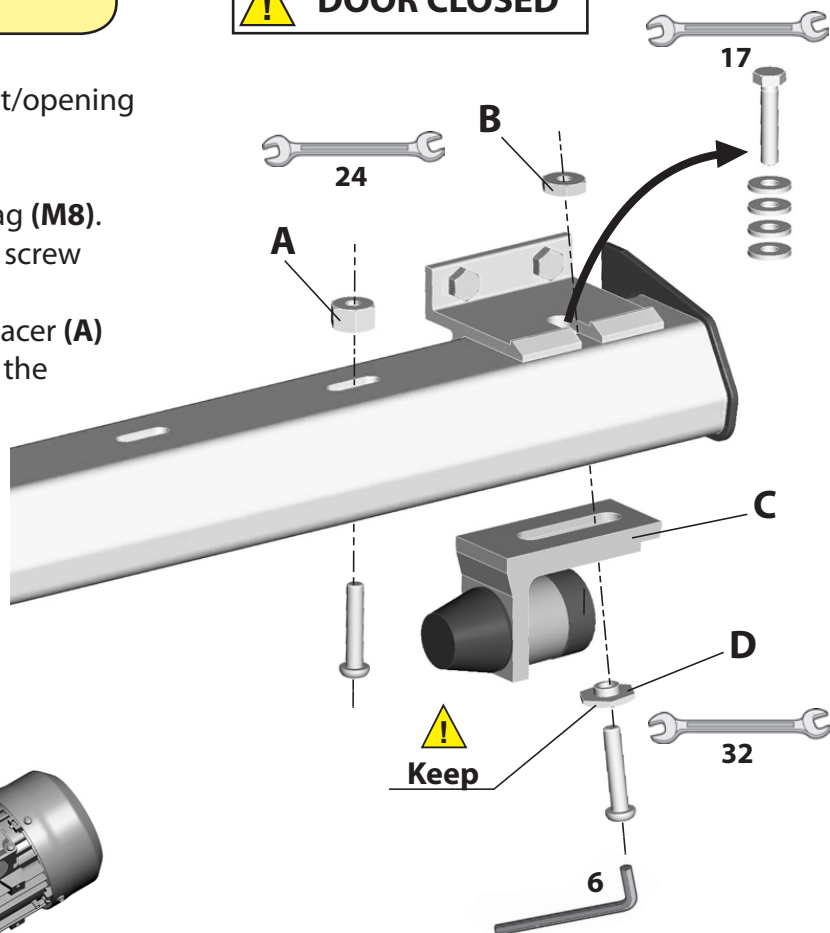
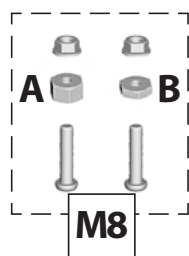
- 6 - Engage a nut and a washer from small bag (**M8**) on screw (**E**).
- 7 - Tip the motor bracket to engage the screw (**E**) in the slot (**e**) and position the motor bracket by engaging the screw (**F**) into the hole (**f**) of the bracket.
- 8 - Push the screw (**E**) in the slot (**e**).
- !** Block spacer (**A**) and nut of the screw (**E**).
- 9 - Block the nut of screw (**F**).



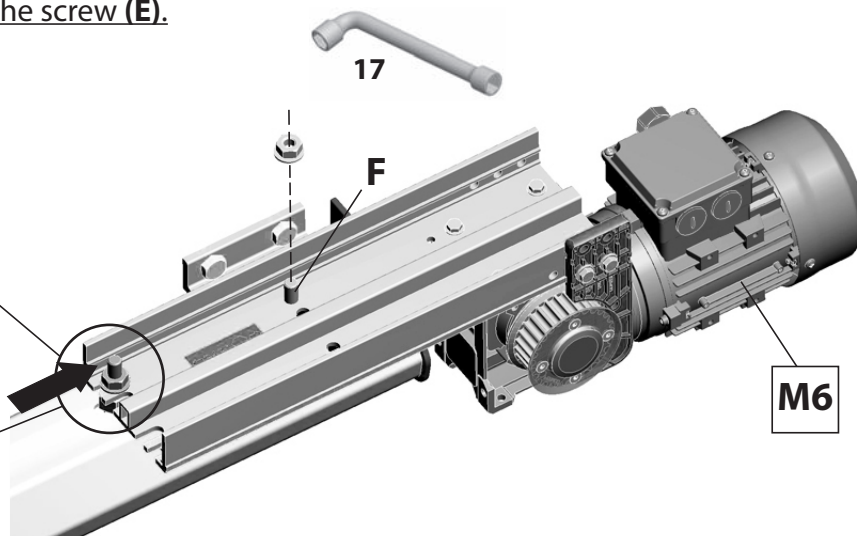
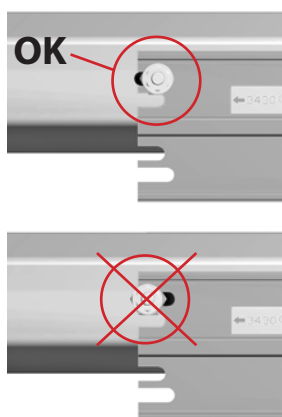
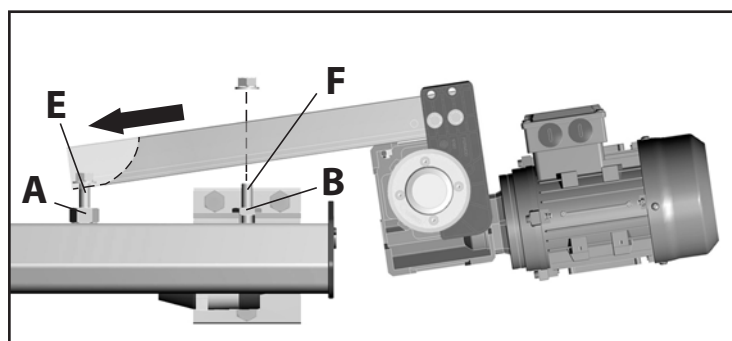
CASE N°4 - FERMATIC 3530 / 7530

! DOOR CLOSED

- 1 - **Right side of the rail**, remove the butt/opening side (C) under the end bracket. Keep its fixing nut (D).
- 2 - Block nut (D) on a screw from small bag (M8).
- 3 - Mount butt/opening side (C) with the screw and nut (D) and spacer (B). Block.
- 4 - Left side of the end bracket, mount spacer (A) with the second screw from (M8) into the first hole of the rail. Do not block.



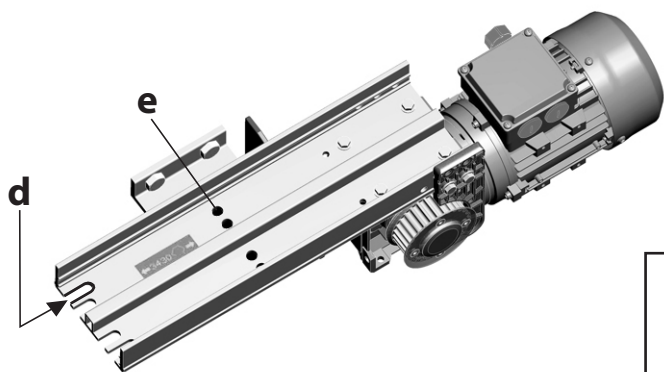
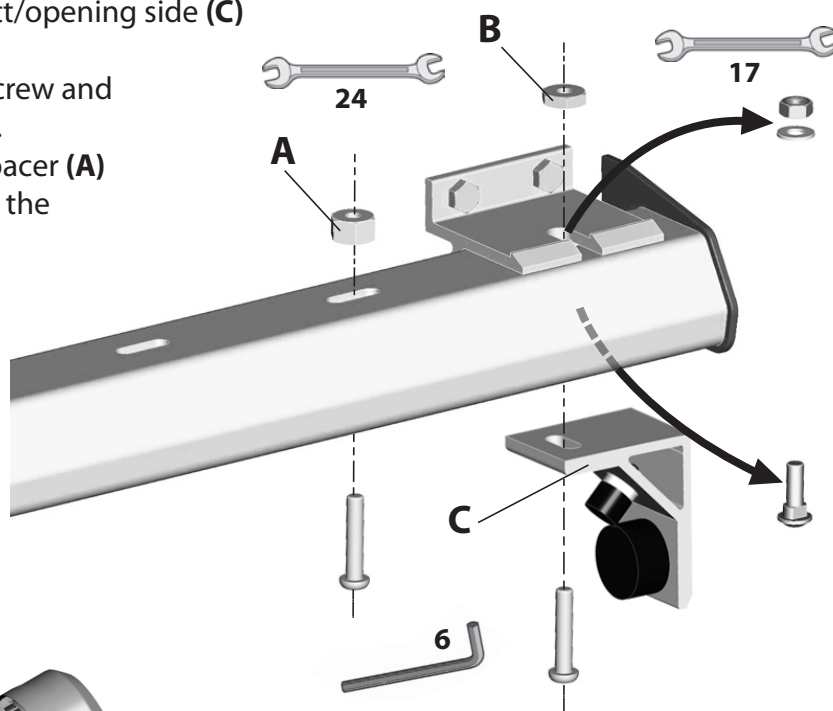
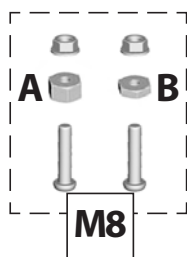
- 5 - Engage a nut and a washer from small bag (M8) on screw (E).
- 6 - Tip the motor bracket to engage the screw (E) in the slot (e) and position the motor bracket by engaging the screw (F) into the hole (f) of the bracket.
- 7 - Push the screw (E) in the slot (e).
- !** Block spacer (A) and nut of the screw (E).
- 8 - Block the nut of screw (F).



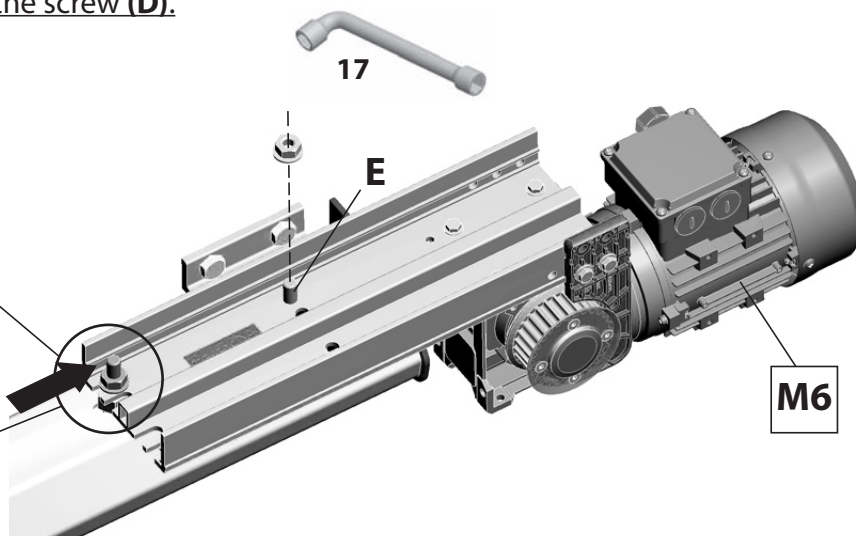
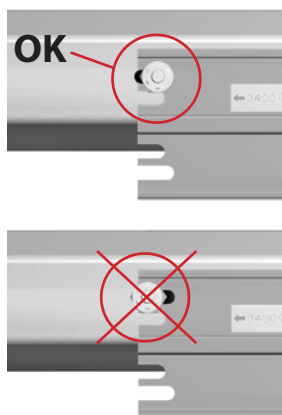
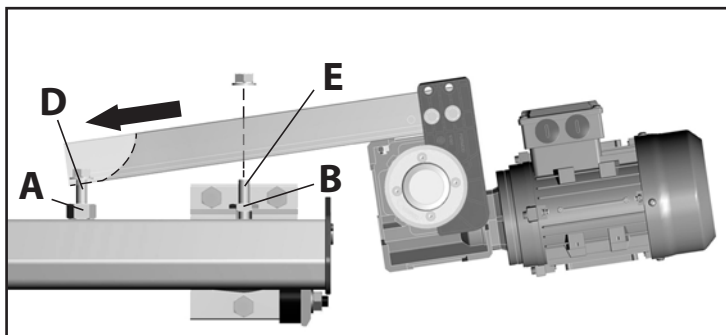
CASE N°5 - FERMATIC 3530 / 7530

! DOOR OPEN

- 1 - **Right side of the rail**, remove the butt/opening side (C) under the end bracket.
- 2 - Mount butt/opening side (C) with a screw and spacer (B) from small bag (M8). Block.
- 3 - Left side of the end bracket, mount spacer (A) with the second screw from (M8) into the first hole of the rail. Do not block.



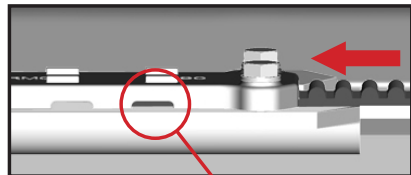
- 4 - Engage a nut and a washer from small bag (M8) on screw (D).
- 5 - Tip the motor bracket to engage the screw (D) in the slot (d) and position the motor bracket by engaging the screw (E) into the hole (e) of the bracket.
- 6 - Push the screw (D) in the slot (d).
- ! Block spacer (A) and nut of the screw (D).**
- 7 - Block the nut of screw (E).



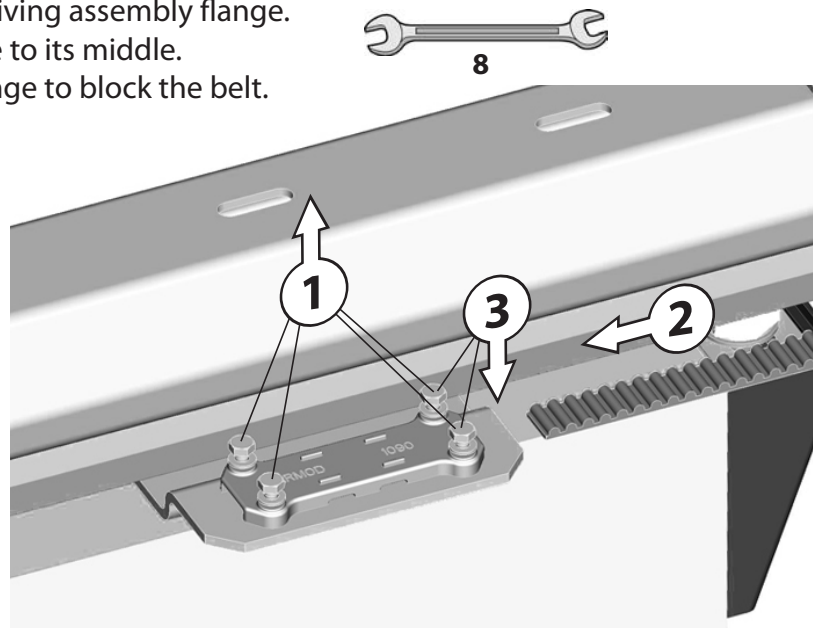
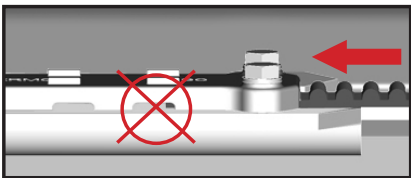
7.4 BELT

Link belt/door

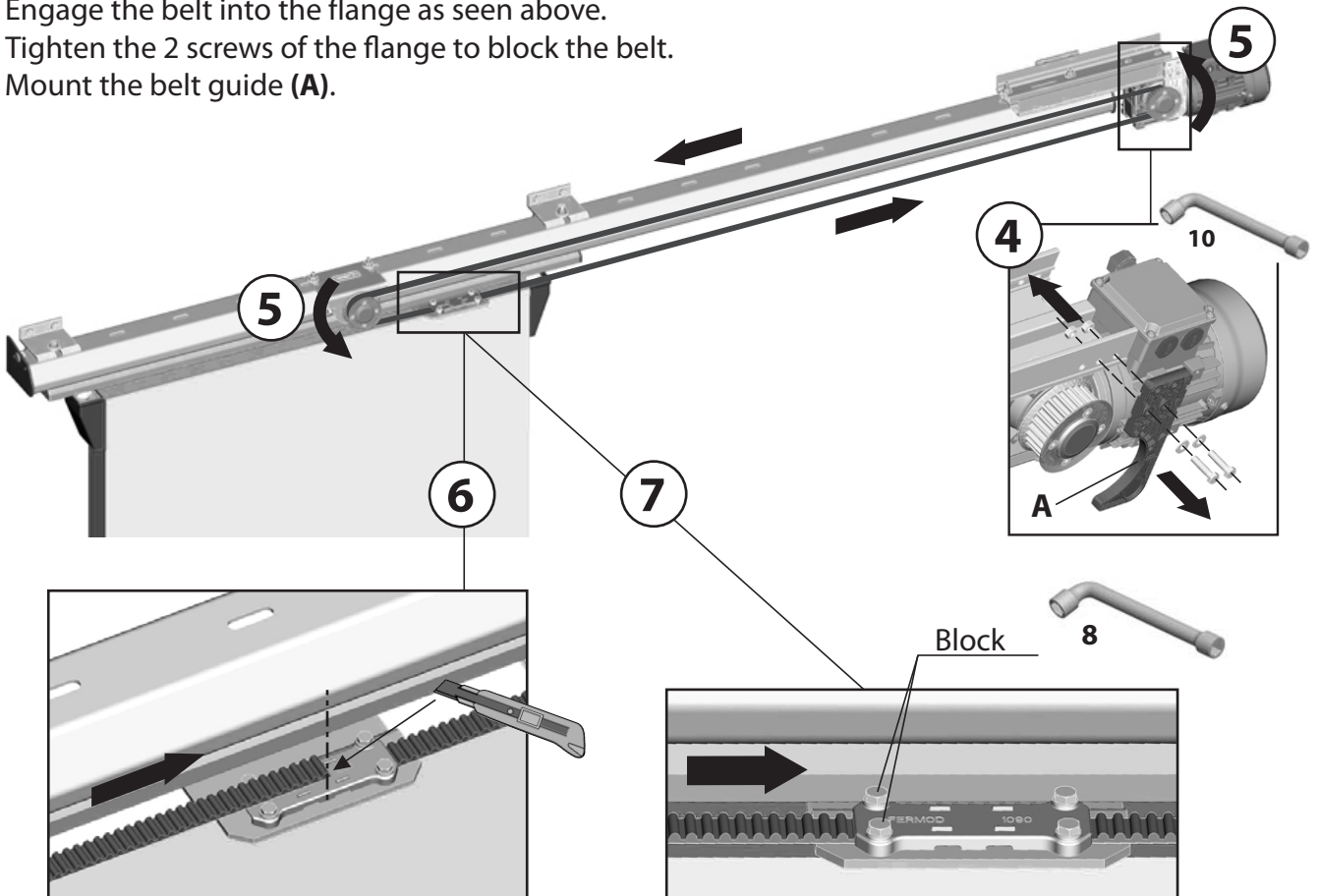
- 1 - Unscrew the 4 screws of the driving assembly flange.
- 2 - Engage the belt into the flange to its middle.
- 3 - Tighten the 2 screws of the flange to block the belt.



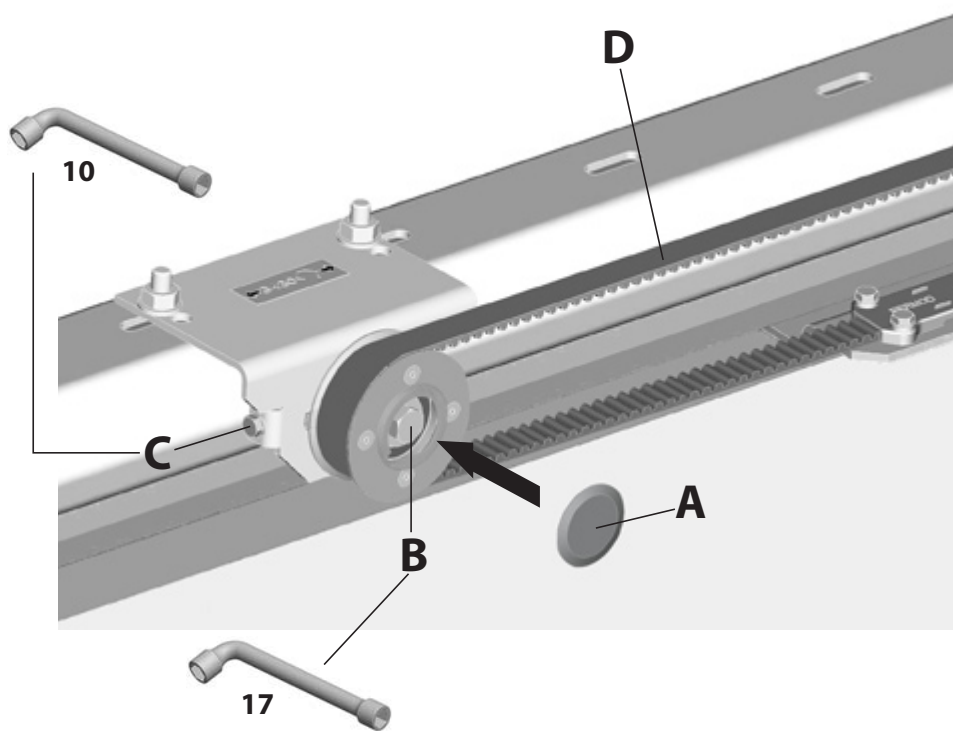
OK



- 4 - Remove the belt guide (A).
- 5 - Engage the belt around the motor pulley, then around the belt adjuster pulley.
- 6 - Tighten the belt. Cut the belt at the middle of the driving assembly flange.
- 7 - Engage the belt into the flange as seen above.
Tighten the 2 screws of the flange to block the belt.
- 8 - Mount the belt guide (A).



■ Tighten the belt



- 1 - Remove cover **(A)** with a screwdriver
- 2 - Loosen screw **(B)** of about 1/4turn
- 3 - Tighten the screw **(C)** of the belt adjuster to tighten the belt:
the upper strand **(D)** must be horizontal.
- 4 - When the belt is tensioned, block the screw **(B)** .
- 5 - Mount cover **(A)**.

PASSIVE EDMOUNT SECURITY.....	Voir page 31
COMMAND BOX/WIRING/PARAMETERS	Voir page 32

8 - 90° MOTOR MOUNTING

Depending on the system installation, the space available in the right end rail can be short for mounting the motor in its standard configuration .
In that event it's possible to mount the motor in 90° direction.

1

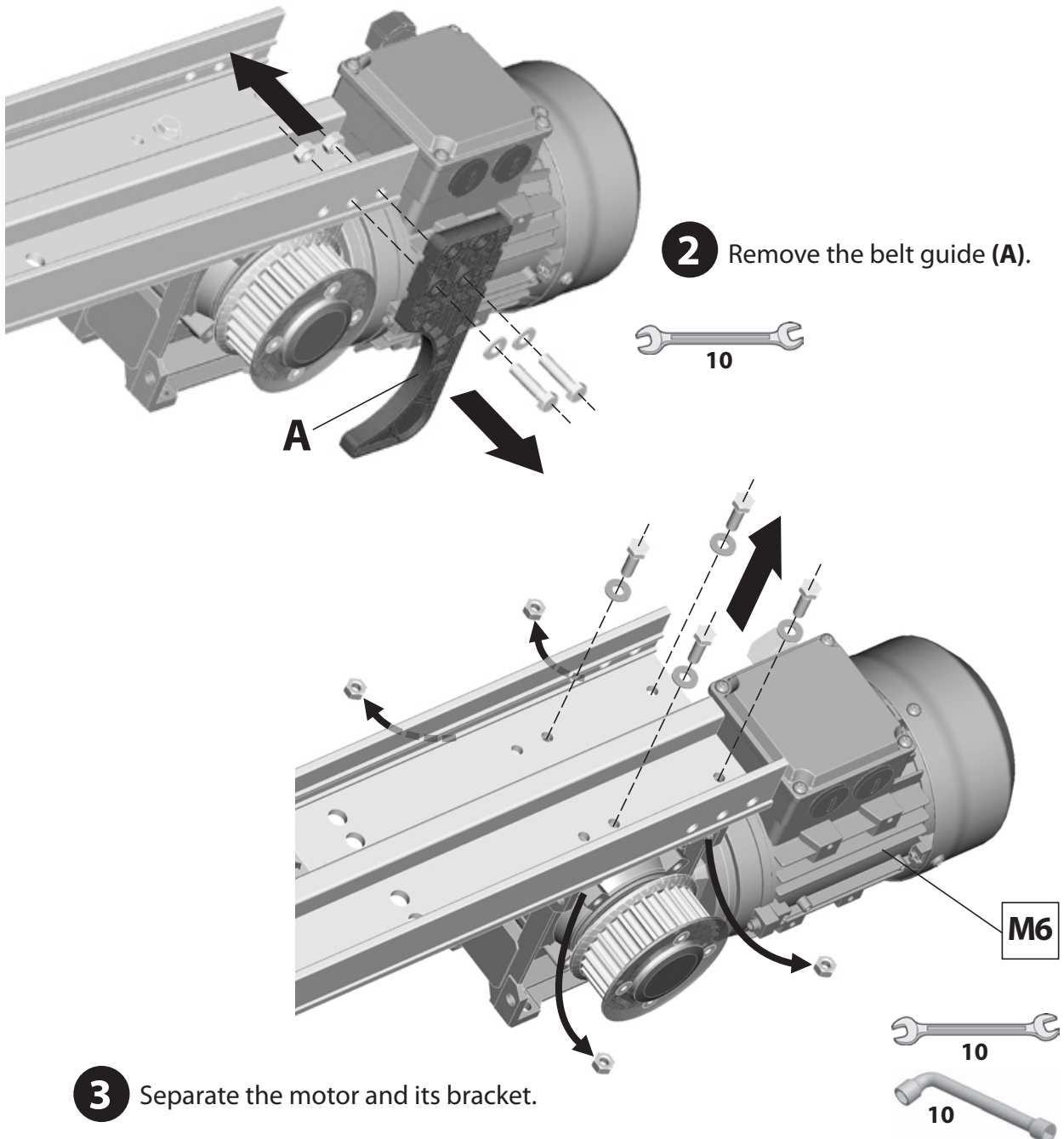
- . Rail preparing
- . Belt adjuster
- . Driving assembly

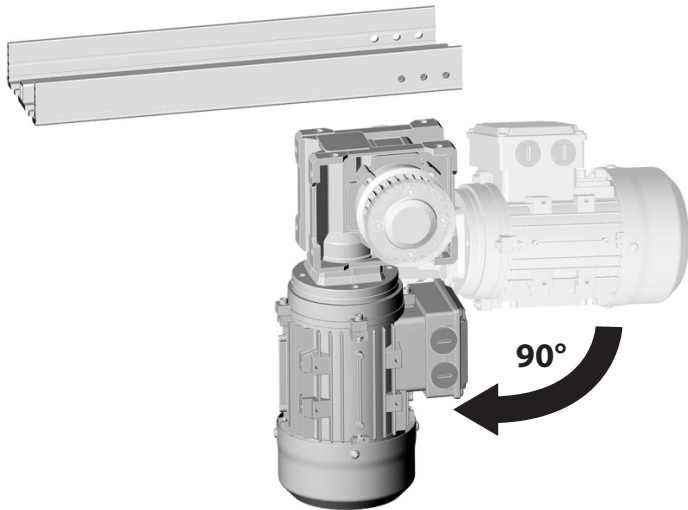
Fermatic
2120-2130-2150
2320-2420

Follow the steps
6 to 6.3
▶ pages **8 to 10**

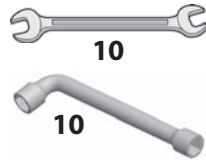
Fermatic
3430
3530-7530

Follow the steps
7 to 7.2
▶ pages **15 to 17**

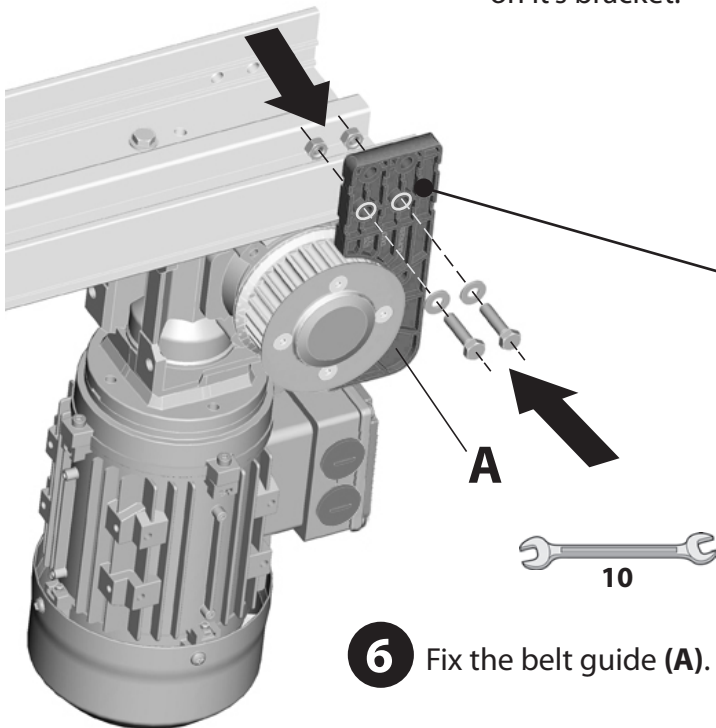
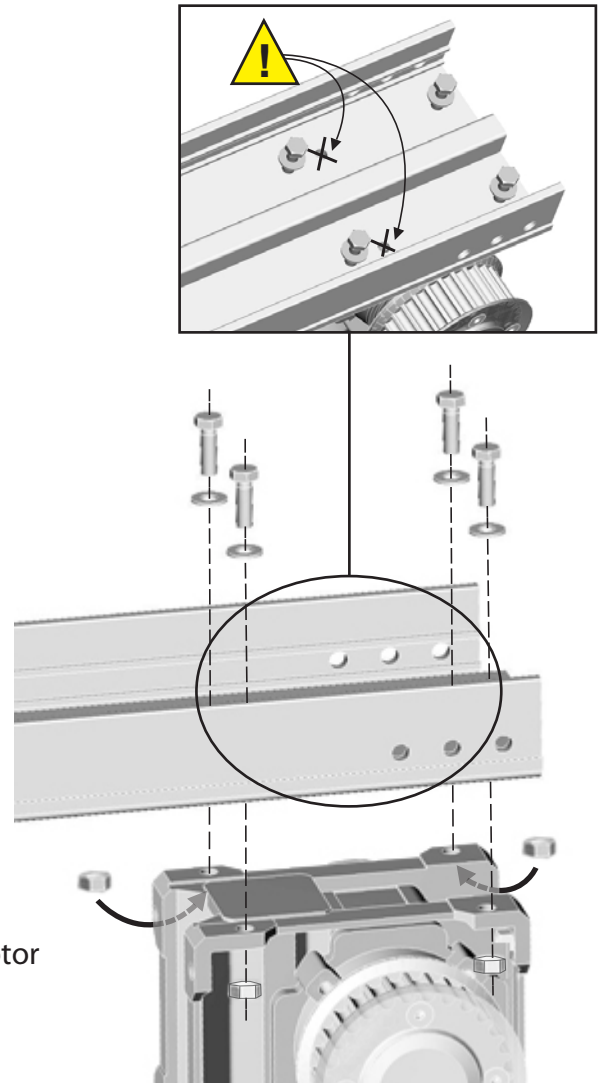




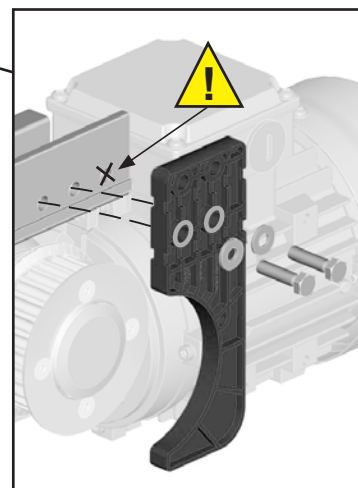
4 Rotate 90° to the motor.



5 Mount the motor on its bracket.



6 Fix the belt guide (A).



7 . Belt mounting and tighten

Fermatic
2120-2130-2150
2320-2420

Follow step 6.5
▶ page **13**

Fermatic
3430
3530-7530

Follow step 7.4
▶ page **24**

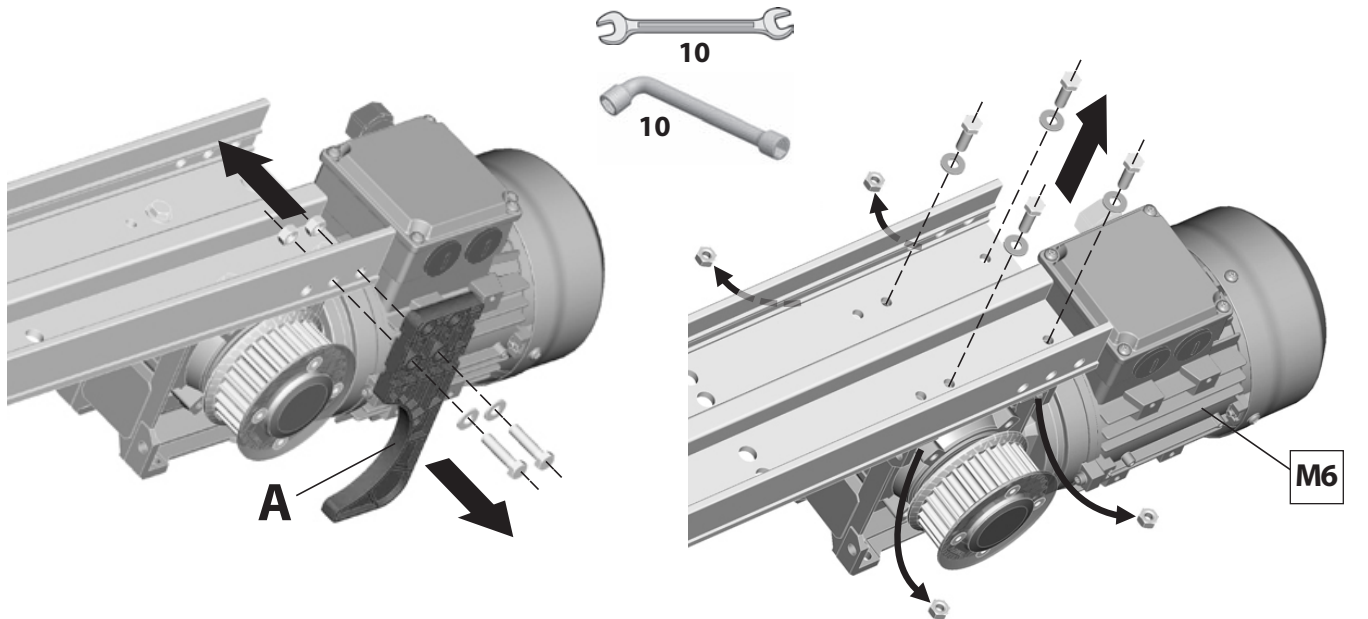
9 - LEFT SIDE MOTOR MOUNTING

Depending on the system installation, the space available in the right end rail can be short for mounting the motor in its standard configuration .

In that event it's possible to mount the motor left side of the rail.

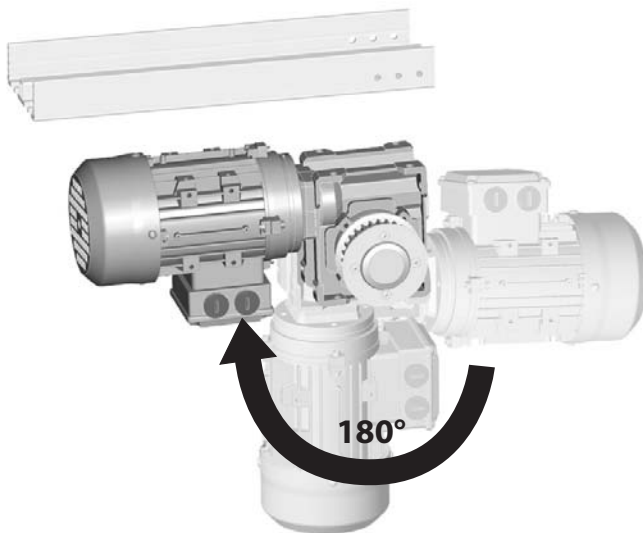
Nota: The left side motor mounting **is the same regardless of the opening side of the door.**

Motor transformation

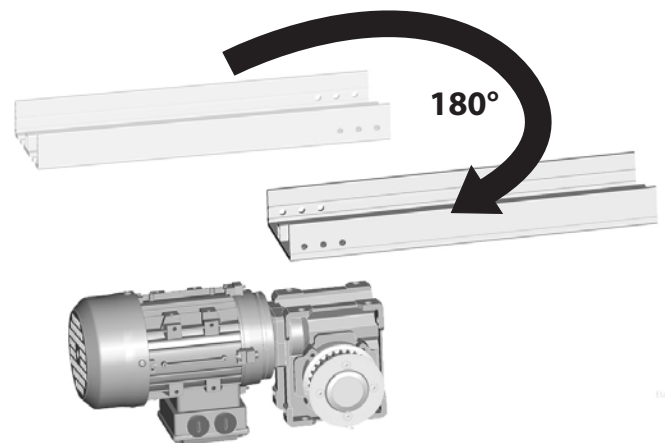


1 Remove the belt guide (A).

2 Separate the motor and its bracket.



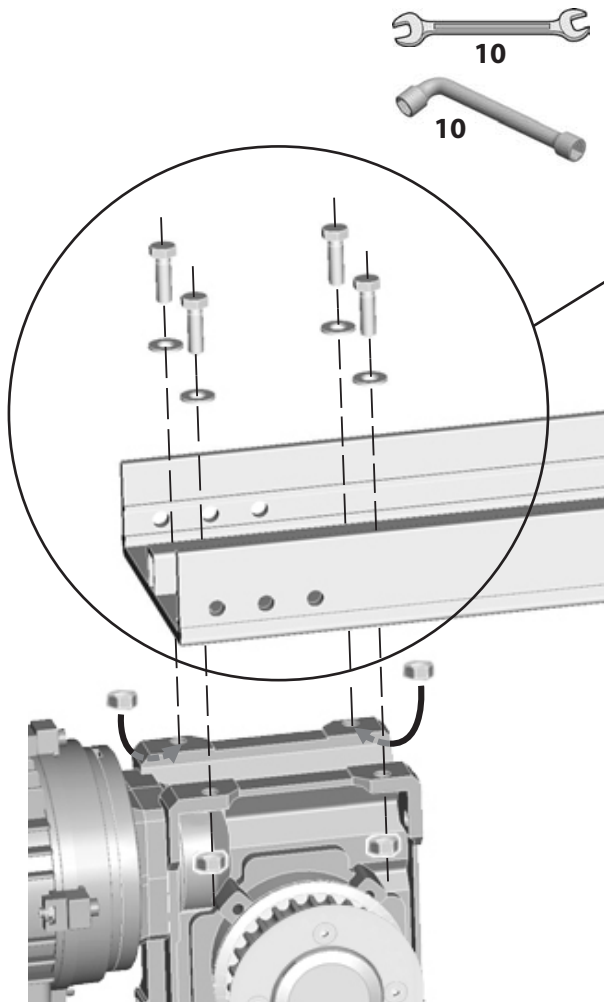
3 Rotate 180° to the motor.



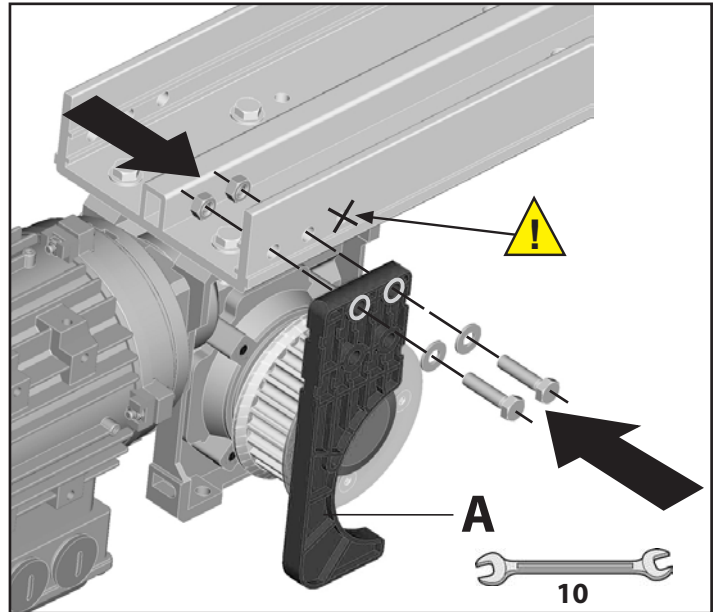
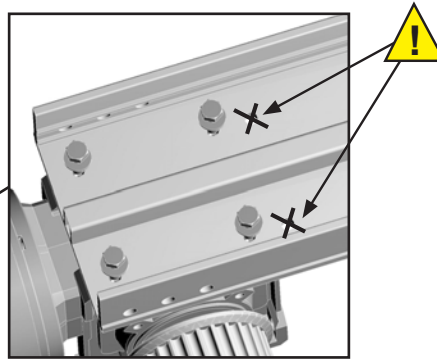
4 Rotate 180° to the motor bracket.



DO NOT DISMOUNT THE PULLEY NOR THE ENCODER



5 Mount the motor on it's bracket.



6 Fix the belt guide (A).

▪ Left side motor mounting

⚠ WARNING ⚠

For a left side motor mounting, it's necessary to reverse the belt adjuster (M1) position and the driving assembly (M4) position compared with standard mounting.

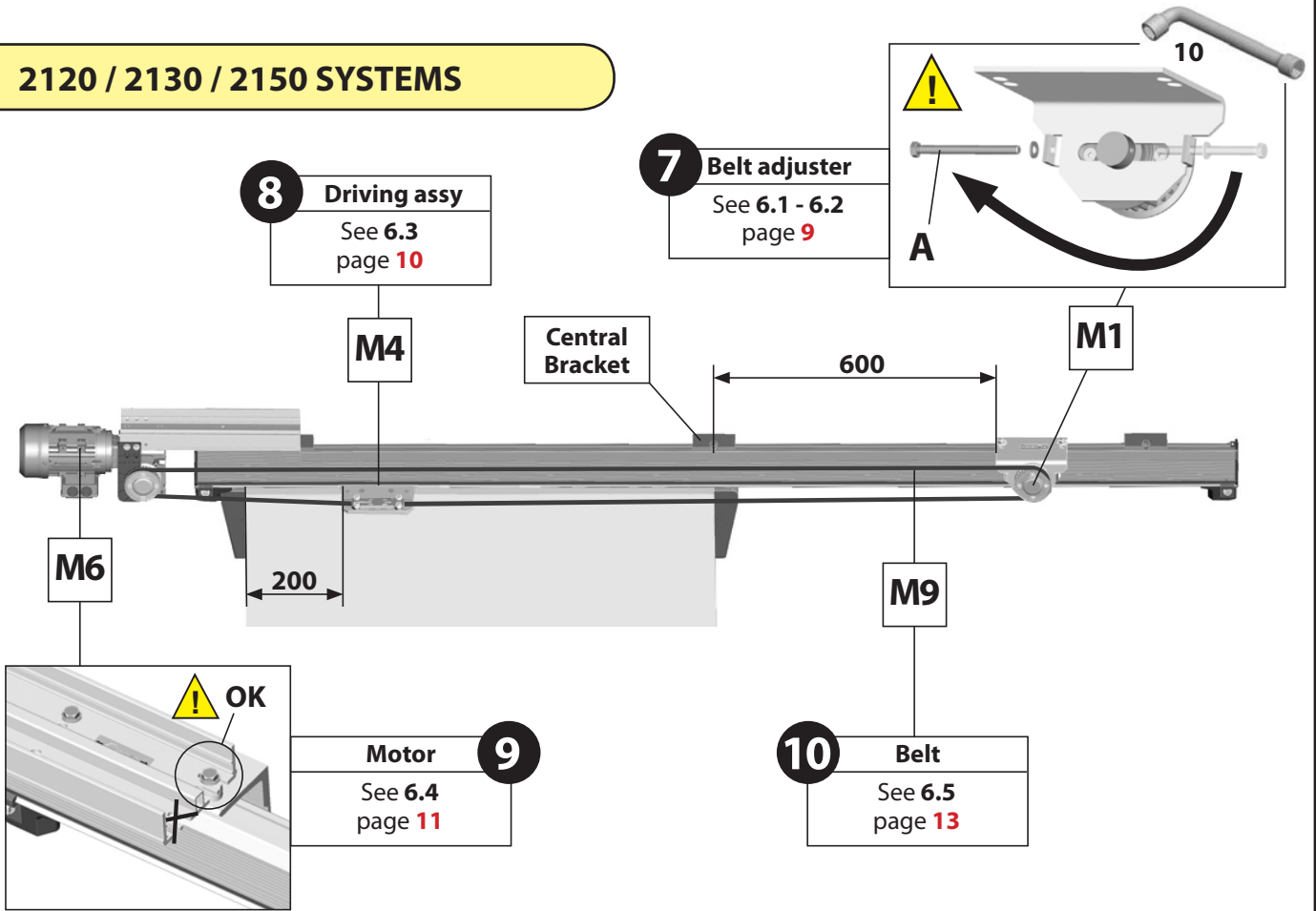
To mount the different parts of the Kit, see the drawings next page.

Remember to reverse the drawings of the standard mounting.

Reverse **the adjustment screw (A)** of the belt adjuster.

See drawings next page ►

2120 / 2130 / 2150 SYSTEMS



3430 / 3530 / 7530 SYSTEMS

