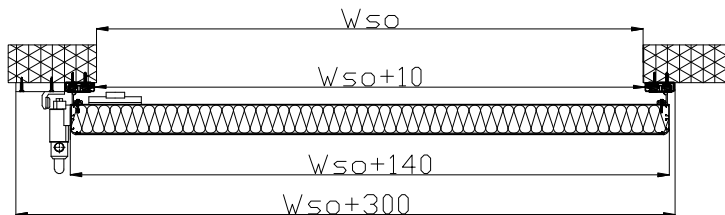


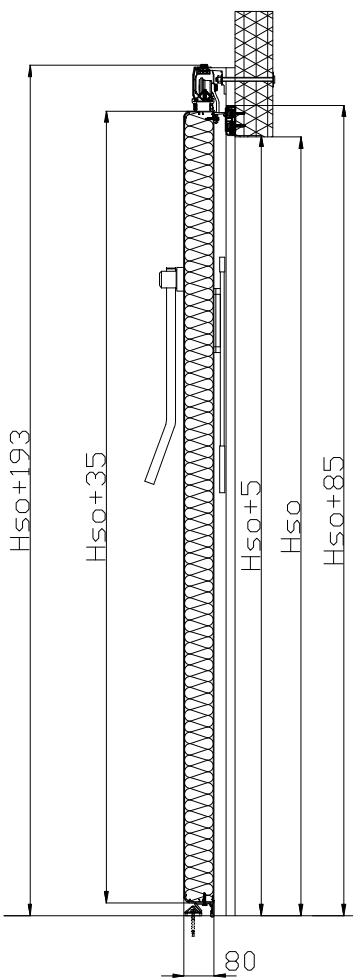
CHANGE HISTORY TABLE

No	Rev.	Modification description	Date	Initials
1.	01	Initial Release	03-10-2014	AD
2.	02	Update	19-12-2014	AD
3.				

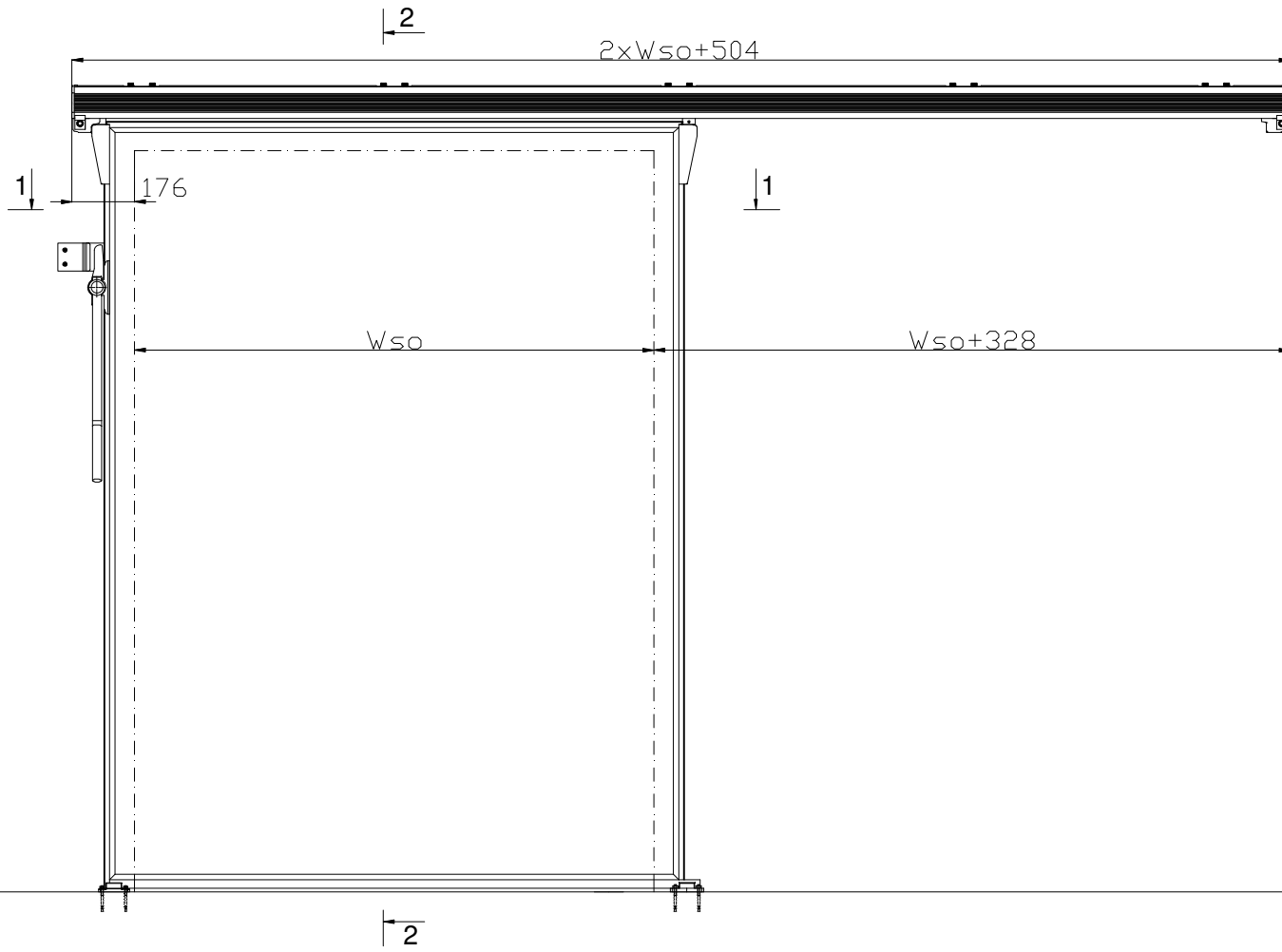
1-1



2-2



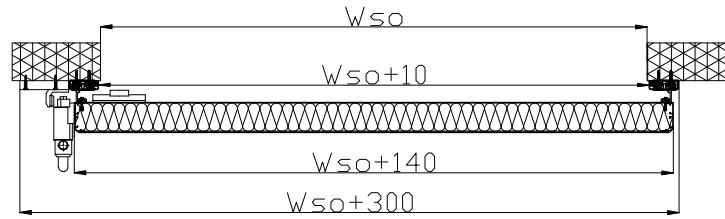
2



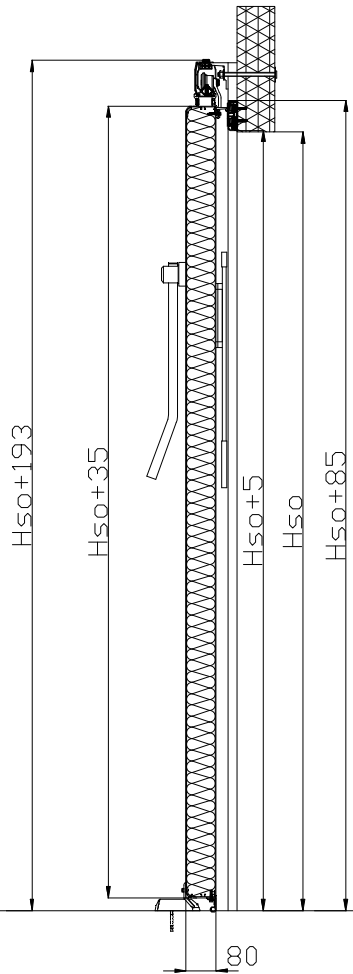
CHANGE HISTORY TABLE

No	Rev.	Modification description	Date	Initials
1	01	Initial Release	03-10-2014	AD
2	02	Update	19-12-2014	AD

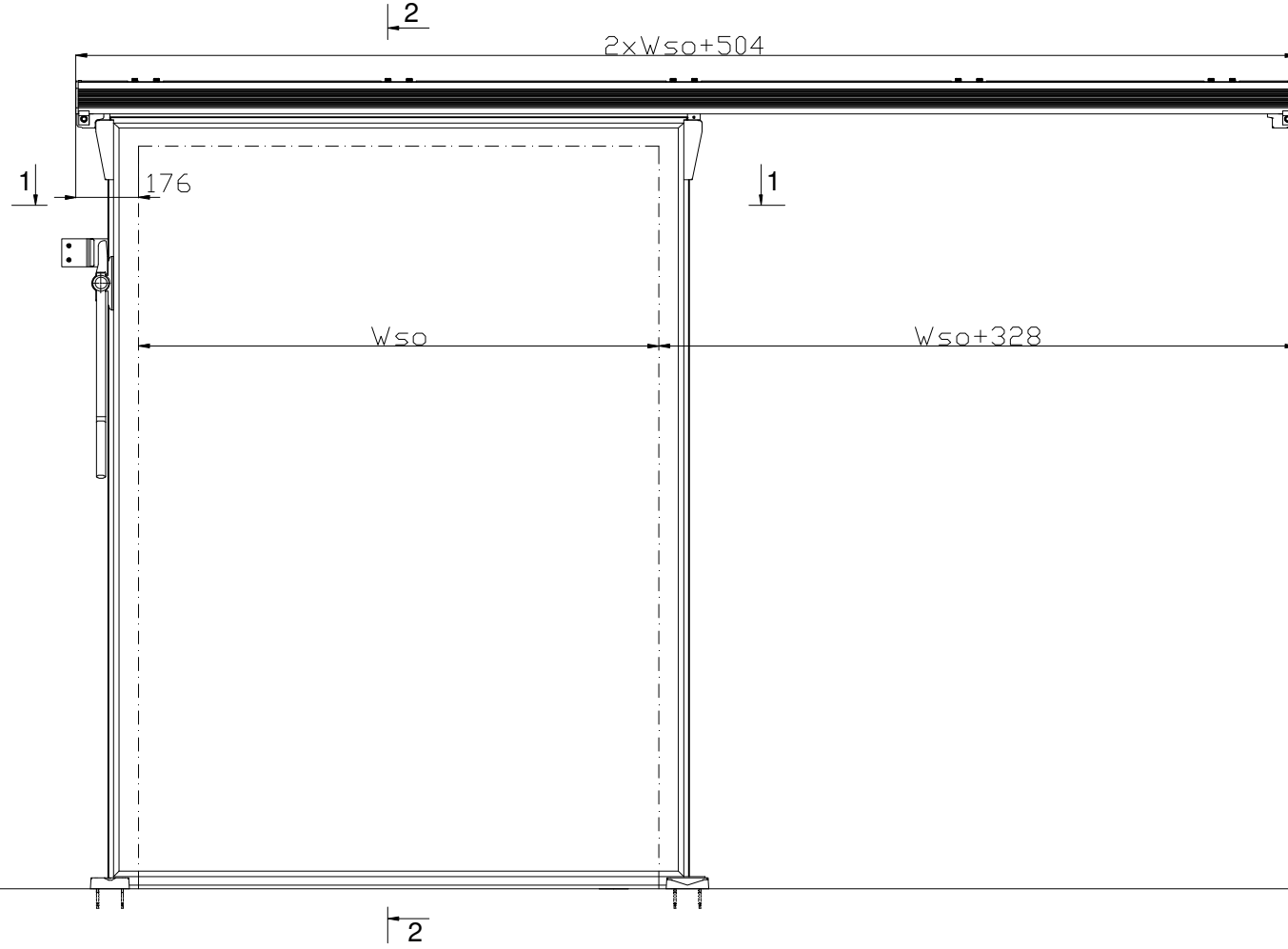
1-1



2-2



2



Contact address:  
 THERMOD AB  
 Söderborgsvägen 32  
 SE-671 95 Klässbol, Sweden  
 tel. (0)570 72 74 70  
 fax. (0)570 72 74 71  
 info@thermod.se

Drawing name:  
 SDC, one sided cover,  
 24 Fermod bottom rail,  
 mounting for panel

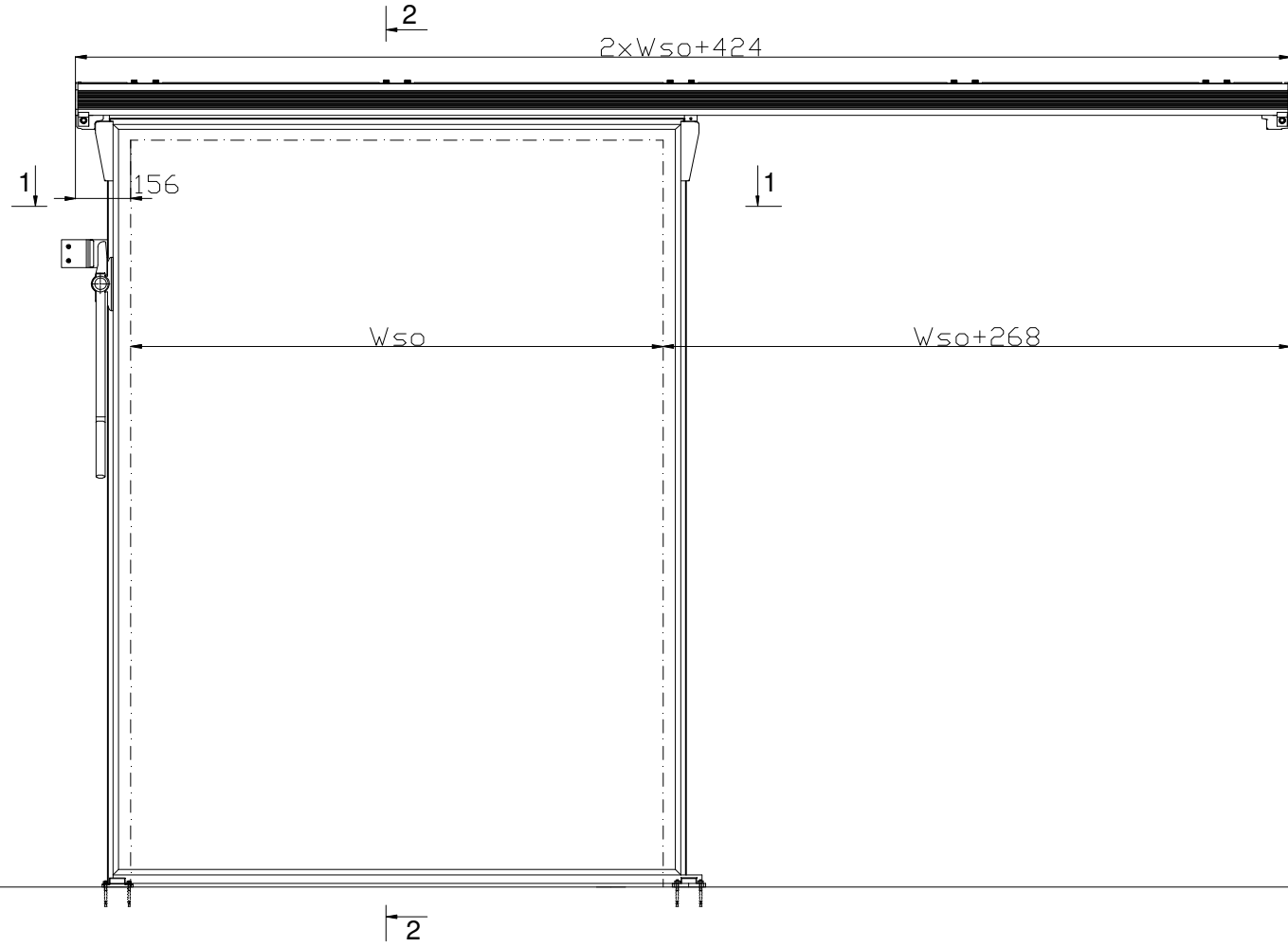
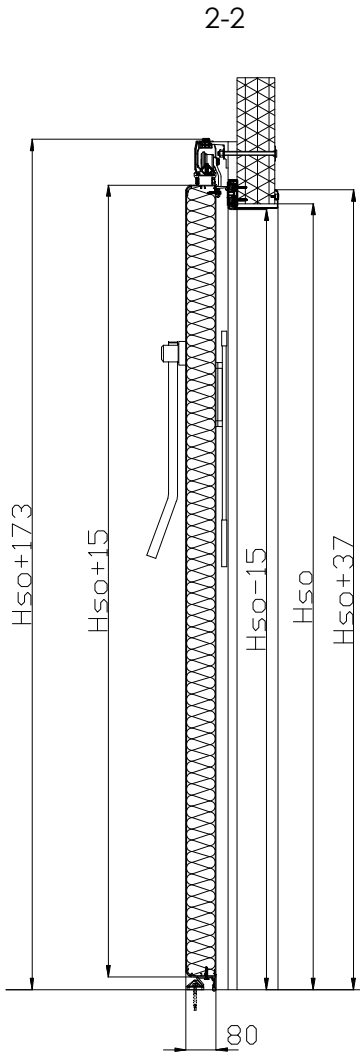
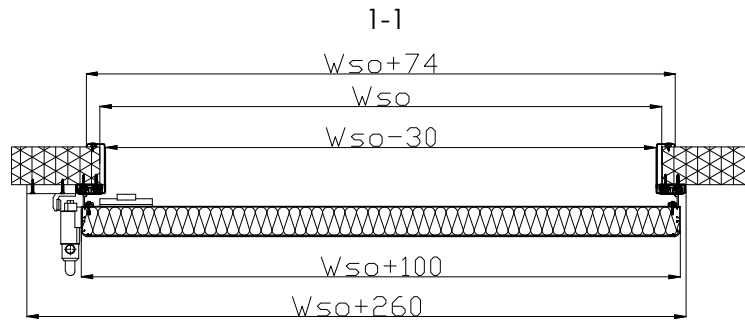
Date: 19-12-2014  
 Drawn by: A. Dziewialowski  
 Scale: 1:10  
 Print format: A2  
 Revision: 02

Drawing number:

070-023-00

CHANGE HISTORY TABLE

No	Rev.	Modification description	Date	Initials
1.	01	Initial Release	03-10-2014	AD
2.	02	Update	19-12-2014	AD
3.				



Contact address:  
 THERMOD AB  
 Söderborgsvägen 32  
 SE-671 95 Klässbol, Sweden  
 tel. (0)570 72 74 70  
 fax. (0)570 72 74 71  
 info@thermod.se

Drawing name:  
 SDC, two sided cover type 1,  
 23 Fermod bottom rail,  
 mounting for panel

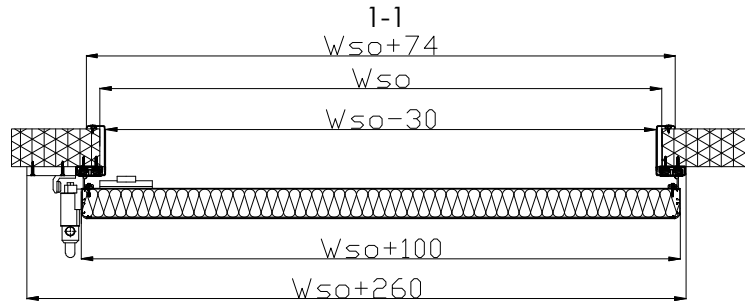
Date: 19-12-2014  
 Drawn by: A. Dziewiałowski

Drawing number:  
 070-021-00

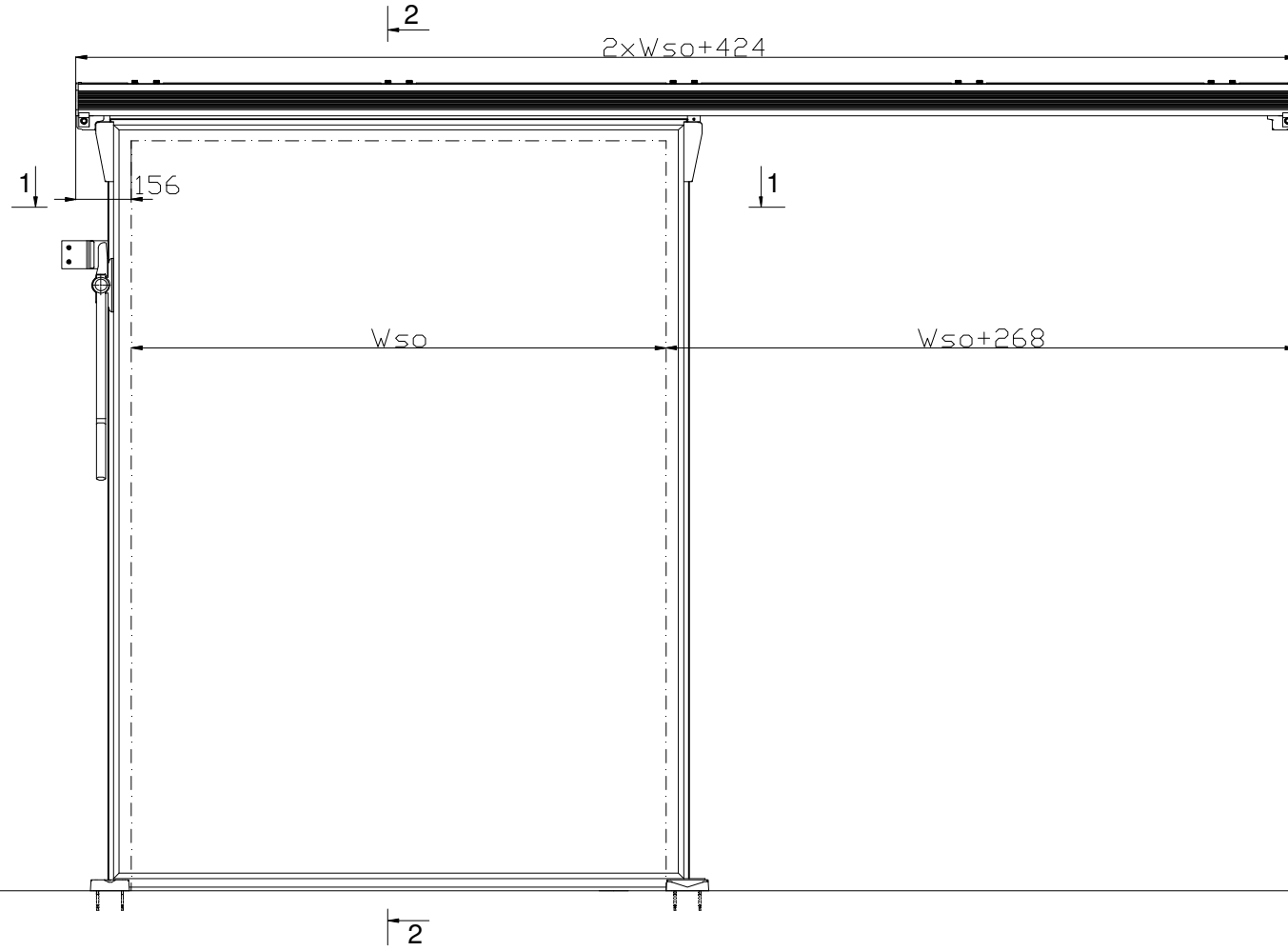
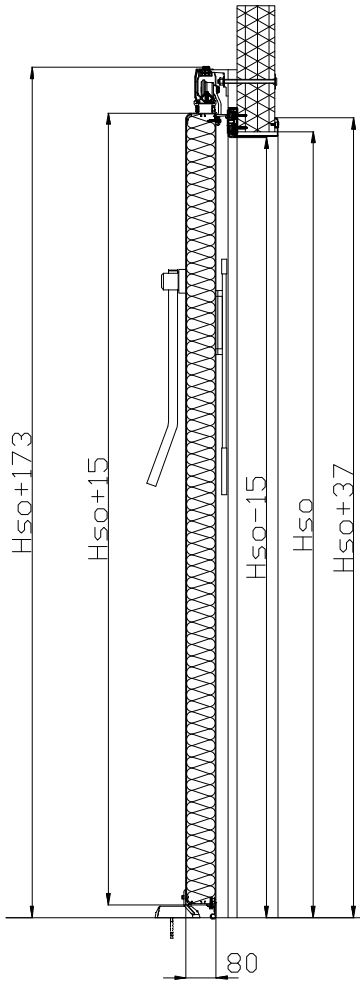
Scale: 1:10  
 Print format: A2  
 Revision: 02

CHANGE HISTORY TABLE

No	Rev.	Modification description	Date	Initials
1.	01	Initial Release	03-10-2014	AD
2.	02	Update	19-12-2014	AD
3.				



2-2



Contact address:  
 THERMOD AB  
 Söderborgsvägen 32  
 SE-671 95 Klässbol, Sweden  
 tel. (0)570 72 74 70  
 fax. (0)570 72 74 71  
 info@thermod.se

Drawing name:  
 SDC, two sided cover type 1,  
 24 Fermod bottom rail,  
 mounting for panel

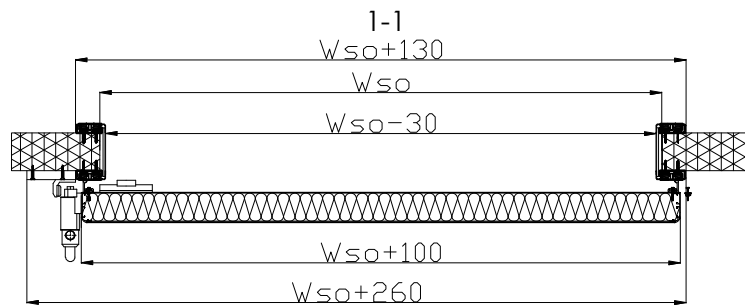
Date: 19-12-2014  
 Drawn by: A. Dziewiałowski

Drawing number:  
 070-024-00

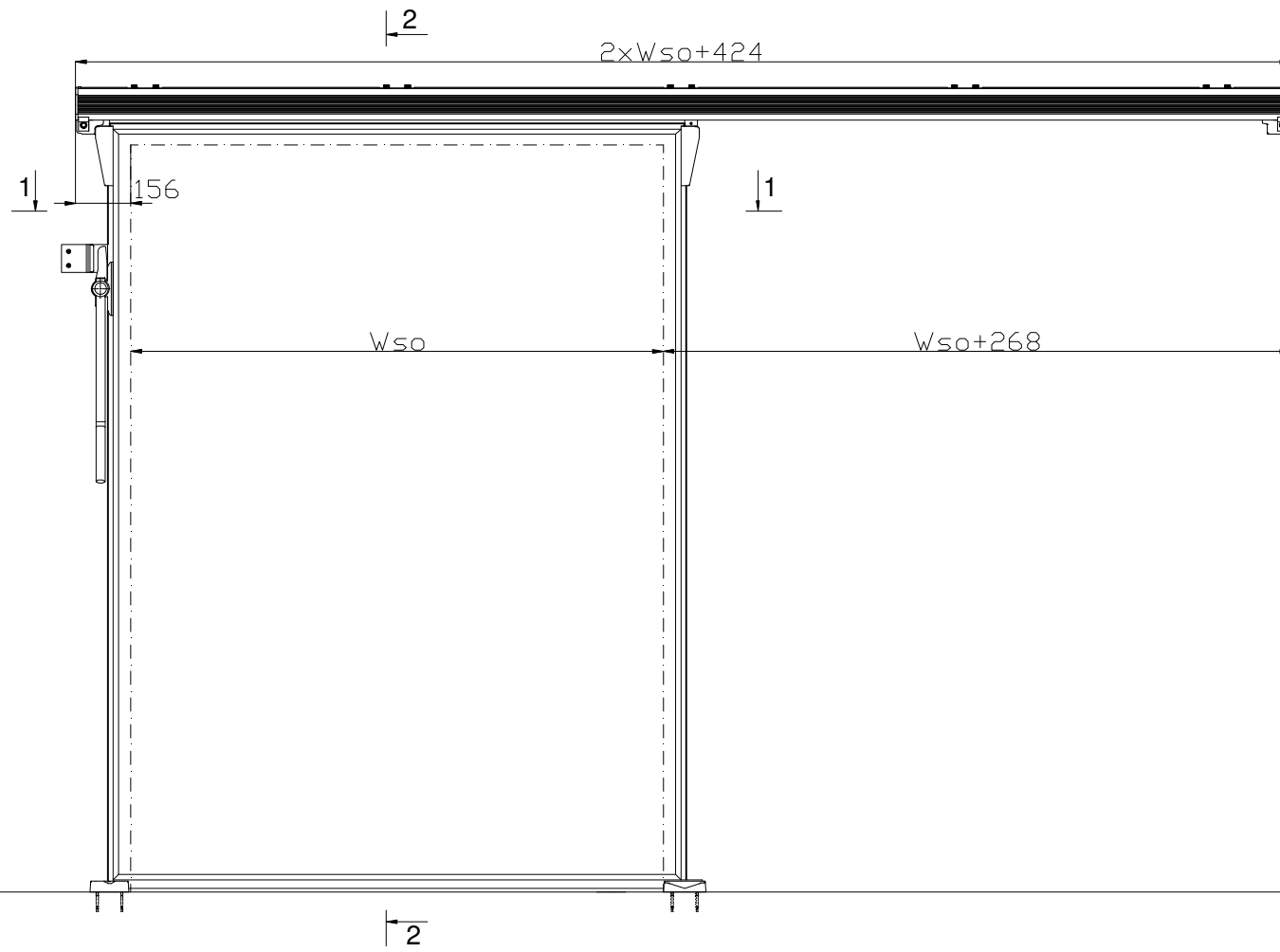
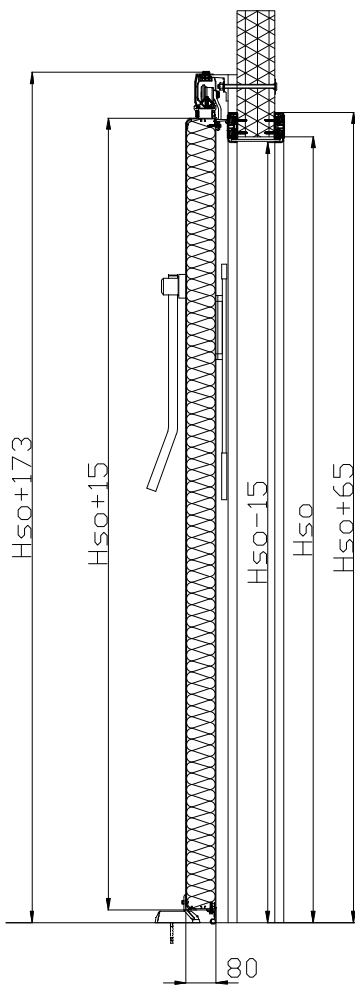
Scale: 1:10  
 Print format: A2  
 Revision: 02

CHANGE HISTORY TABLE

No	Rev.	Modification description	Date	Initials
1.	01	Initial Release	03-10-2014	AD
2.	02	Update	19-12-2014	AD
3.				

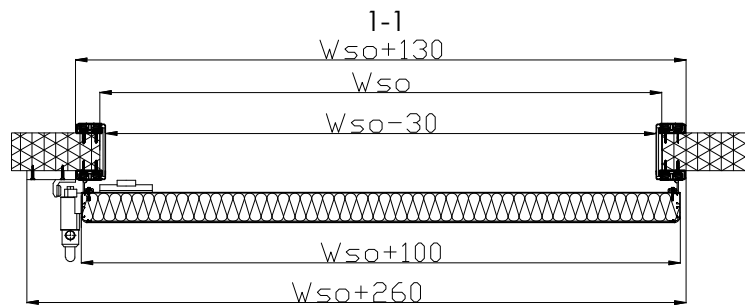


2-2

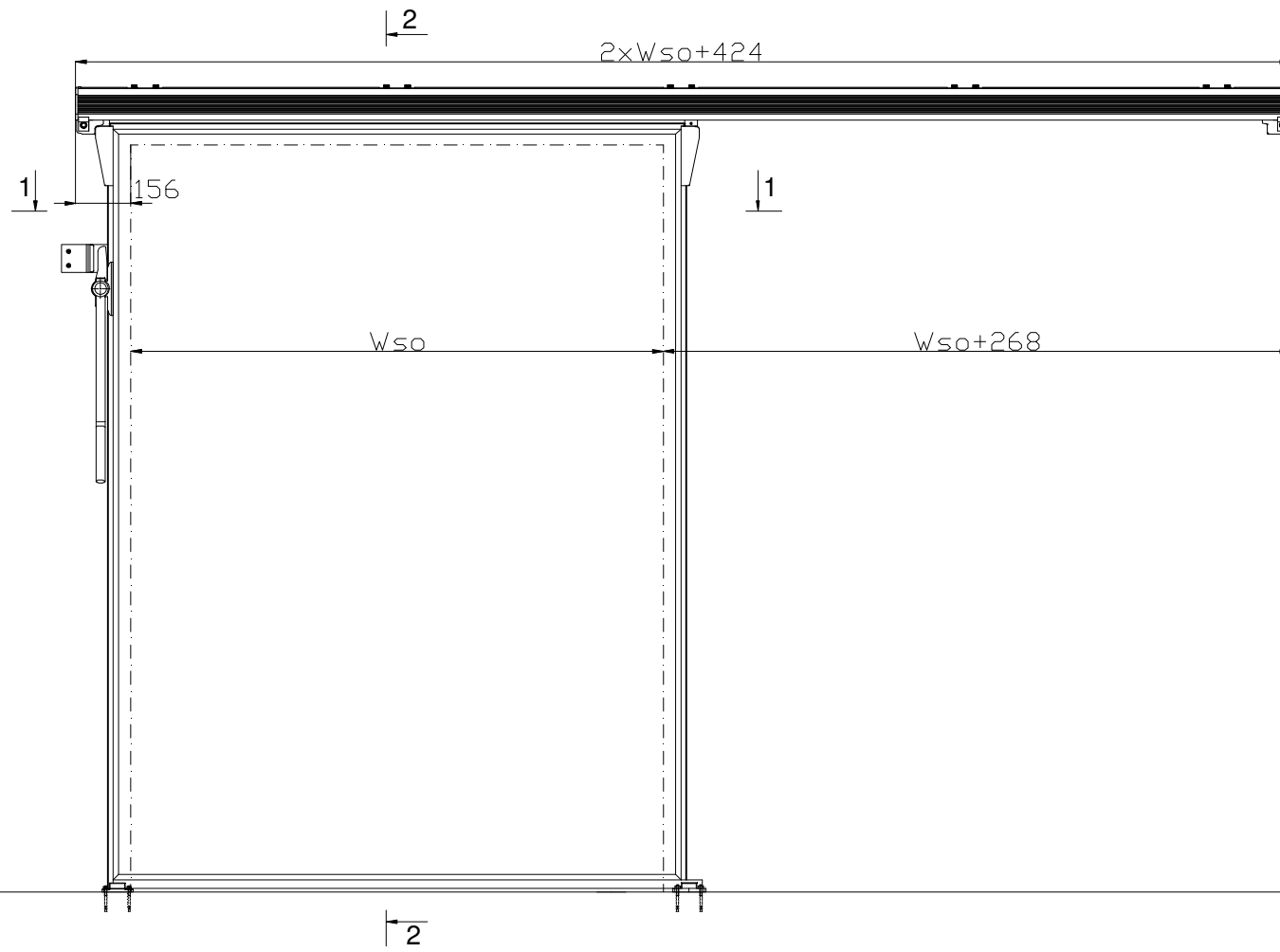
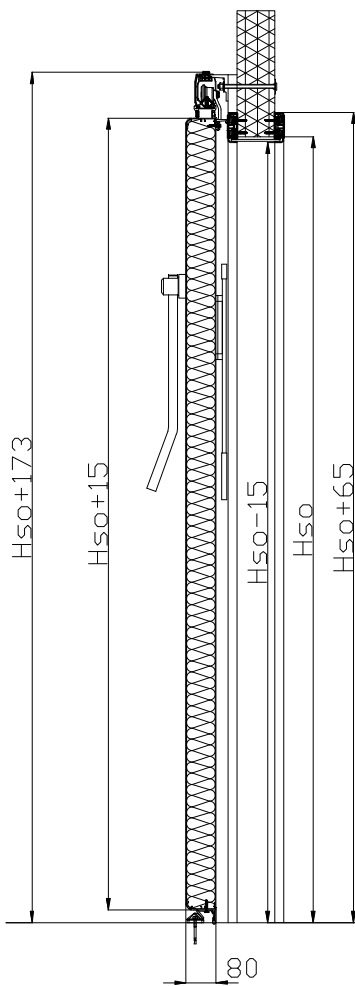


CHANGE HISTORY TABLE

No	Rev.	Modification description	Date	Initials
1.	01	Initial Release	03-10-2014	AD
2.	02	Update	19-12-2014	AD
3.				



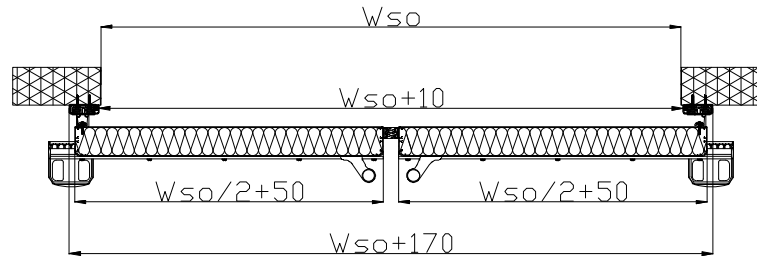
2-2



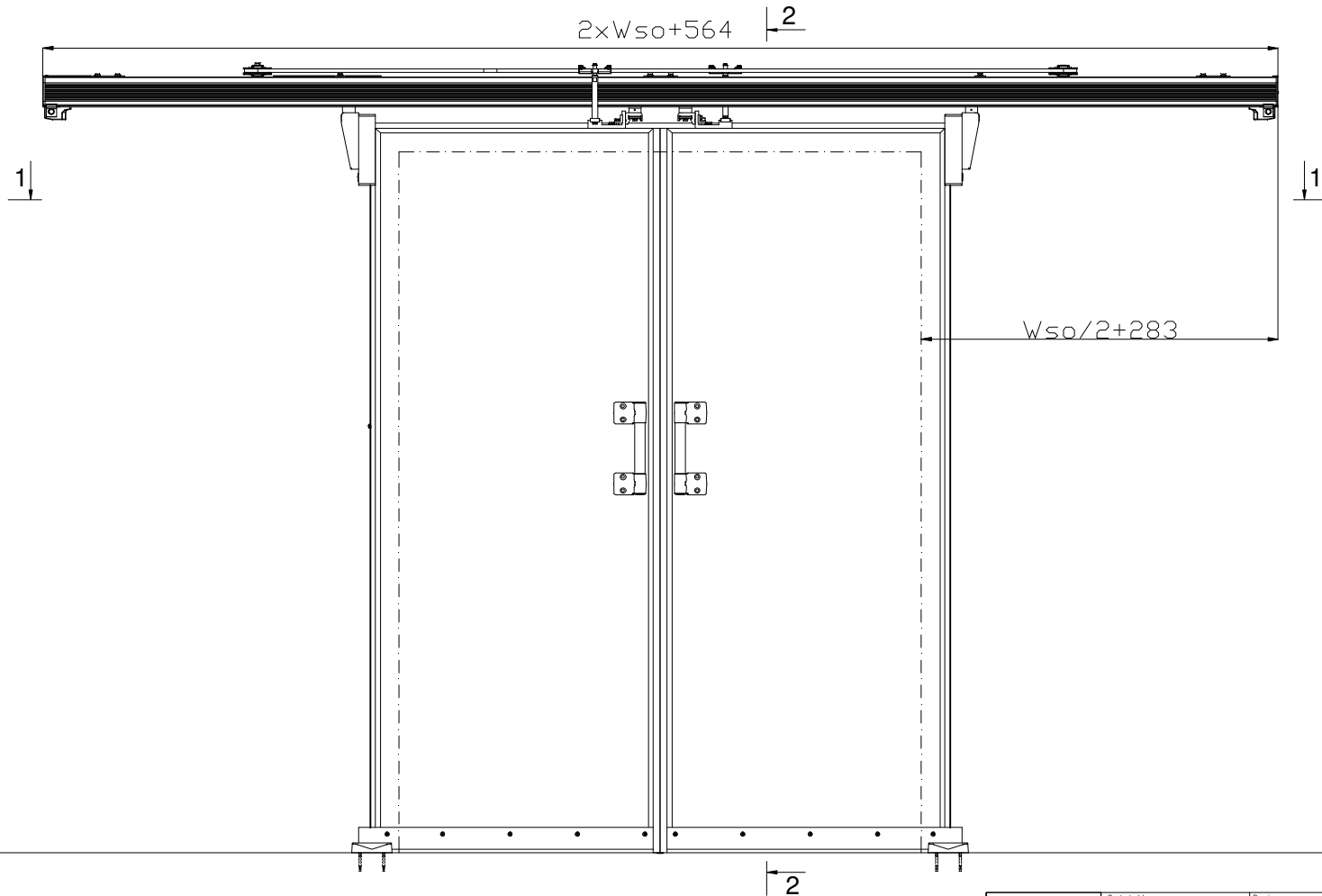
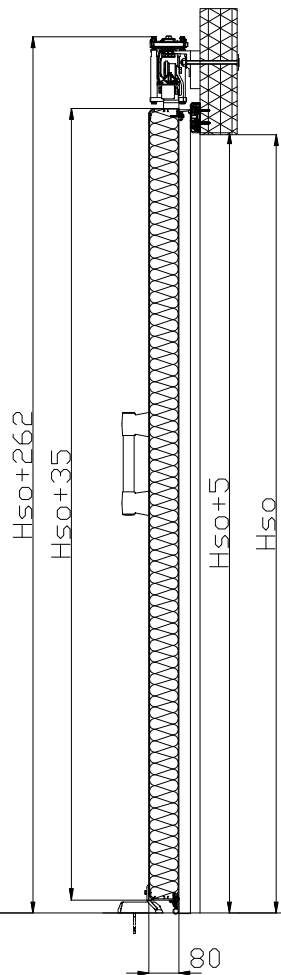
CHANGE HISTORY TABLE


No	Rev.	Modification description	Date	Initials
1.	01	Initial Release	19-02-2015	AD
2.				
3.				

1-1



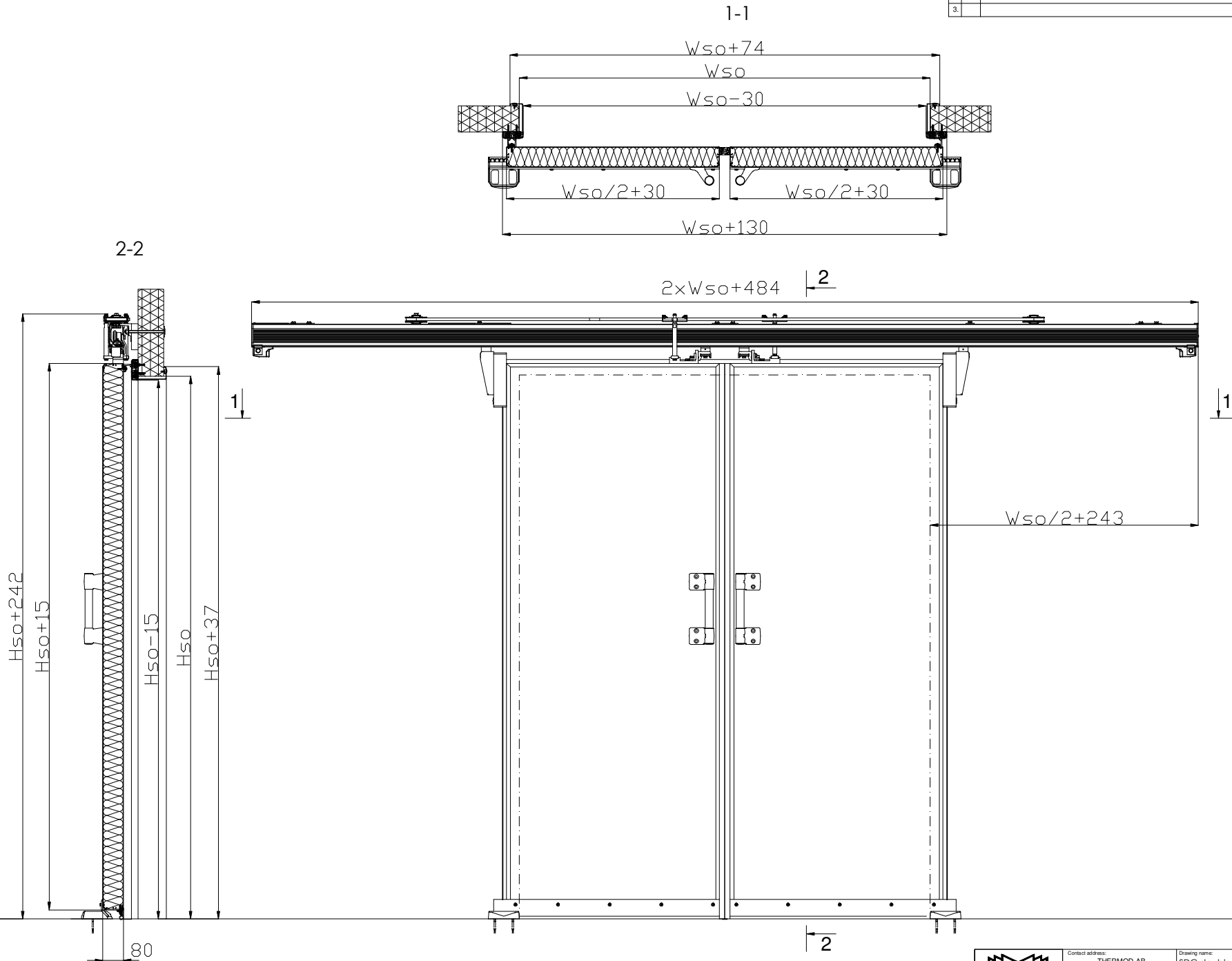
2-2




	Contact address: THERMOD AB Söderborgsvägen 32 SE-671 95 Klässbol, Sweden tel. (0)570 72 74 70 fax. (0)570 72 74 71 info@thermod.se	Drawing name: SDC double, one sided cover, 24 Fermod bottom rail, mounting for panel	Drawing number: 070-30-01
	Date: 19-02-2015	Drawn by: A. Dziewialowski	Scale: 1:10
		Revision: 01	

CHANGE HISTORY TABLE

No	Rev.	Modification description	Date	Initials
1.	01	Initial Release	19-02-2015	AD
2.				
3.				



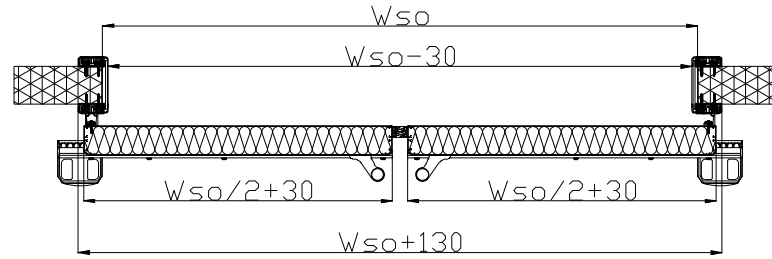
	Contact address: THERMOD AB Söderborgsvägen 32 SE-671 95 Klässbol, Sweden tel. (0)570 72 74 70 fax. (0)570 72 74 71 info@thermod.se	Drawing name: SDC double, two sided cover type 1, 24 Fermod bottom rail, mounting for panel	Drawing number: 070-30-02
	Date: 19-02-2015	Drawn by: A. Dziewialowski	Scale: 1:10
		Revision: 01	



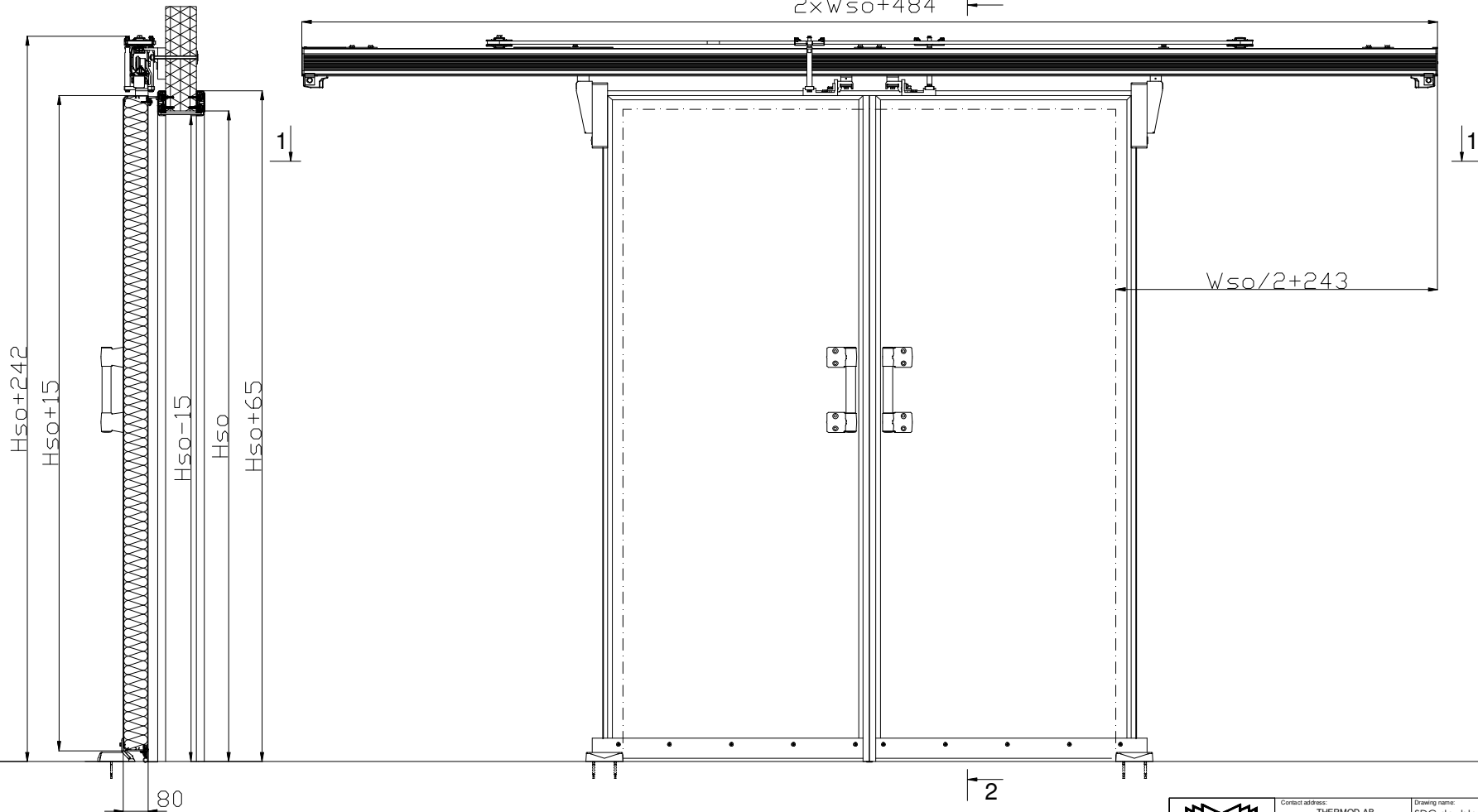
CHANGE HISTORY TABLE


No	Rev.	Modification description	Date	Initials
1.	01	Initial Release	19-02-2015	AD
2.				
3.				

1-1



2-2



	Contact address: THERMOD AB Söderborgsvägen 32 SE-671 95 Klässbol, Sweden tel. (0)570 72 74 70 fax. (0)570 72 74 71 info@thermod.se	Drawing name: SDC double, two sided cover type 2, 24 Fermod bottom rail, mounting for panel	Drawing number: 070-30-03
	Date: 19-02-2015	Drawn by: A. Dziewialtowski	Scale: 1:10
		Revision: 01	